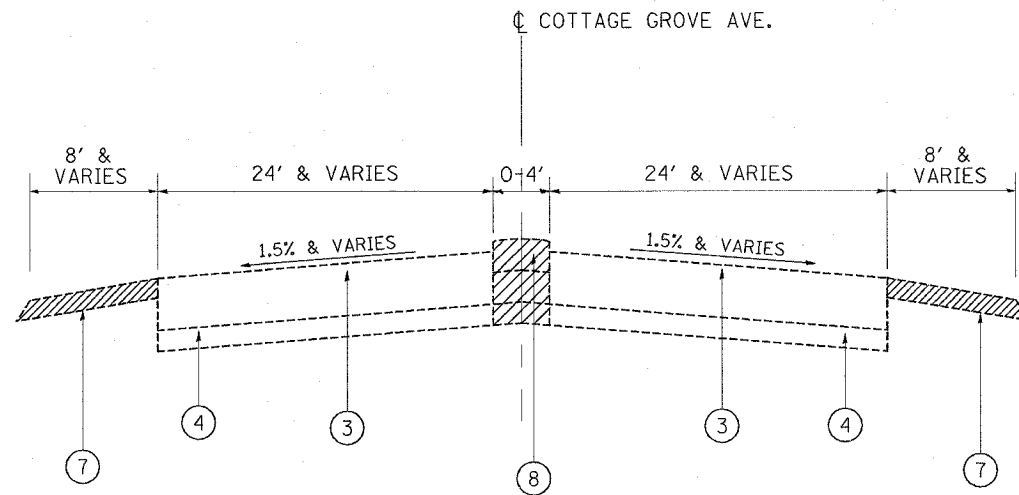


F.A.P. RTE.	SECTION	COUNTY	TOTAL SHEETS	SHEET NO.
353	11-5-N-1	COOK	79	10
STA.		TO STA.		
FED. ROAD DIST. NO. 1		ILLINOIS	FED. AID PROJECT	

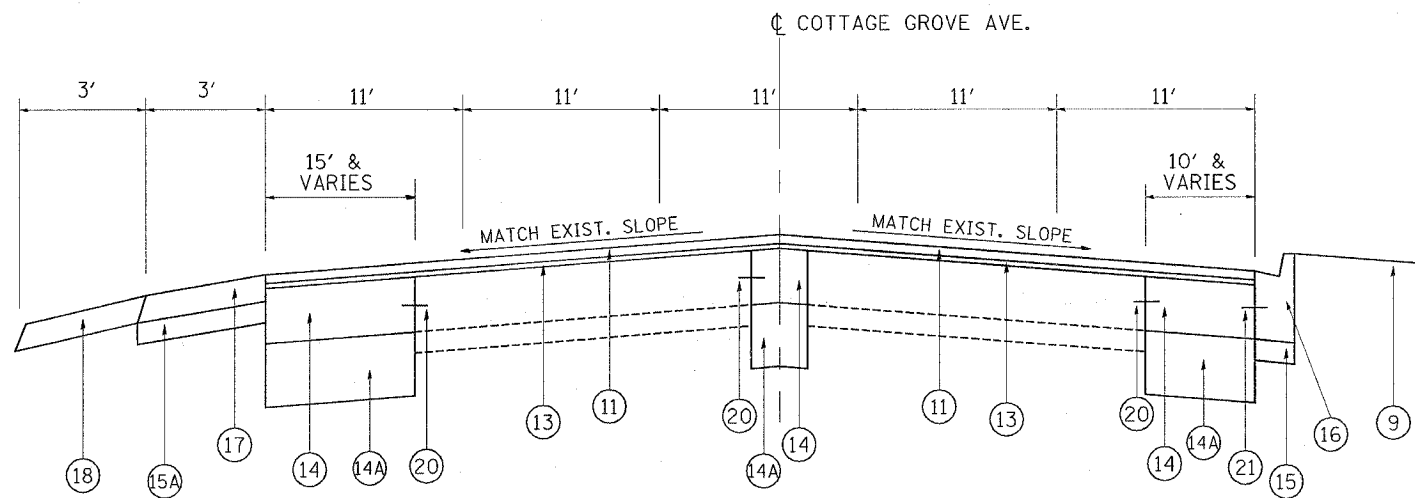
LEGEND

- ① EXIST. HMA PAVEMENT, 3''(±)
- ①A EXIST. HMA PAVEMENT, 1''(±)
- ② EXIST. P.C.C. BASE COURSE, 10''(±)
- ②A EXIST. HMA BASE COURSE, 10''(±)
- ③ EXIST. P.C.C. SURFACE
- ④ EXIST. SUBBASE GRANULAR MATERIAL, 4''(±)
- ⑤ EXIST. B-6.24 CURB & GUTTER (TO BE REMOVED)
- ⑤A EXIST. SIDEWALK
- ⑥ EXIST. HMA SHOULDER
- ⑦ EXIST. AGGREGATE SHOULDER
- ⑧ EXIST. RAISED/CORRUGATED P.C.C. MEDIAN
- ⑨ EXIST. / PROP. GROUND (SEE CROSS SECTIONS)
- ⑩ PROP. HMA SURFACE REMOVAL, 1''
- ⑪ PROP. POLYMERIZED HMA SURFACE COURSE, MIX "F", N90, 1¾''
- ⑫ PROP. LEVELING BINDER (MM), N70, 1¾''
- ⑬ PROP. POLYMERIZED LEVELING BINDER (MM), N50, IL-4.75, ¾''
- ⑭ PROP. WIDENING: P.C.C. BASE COURSE, 10''
- ⑭A PROP. AGGREGATE SUBGRADE, 12''
- ⑮ PROP. SUBBASE GRAN. MATERIAL, TYPE B, 4''
- ⑮A PROP. SUBBASE GRAN. MATERIAL, TYPE C, 4''
- ⑯ PROP. B-6.24 CURB & GUTTER
- ⑰ PROP. HMA SHOULDER, 8''
- ⑱ PROP. AGGREGATE SHOULDER, TYPE B, 6''
- ⑲ PROP. SIDEWALK, 5''
- ⑳ PROP. DRILL AND GROUT #8 TIE BAR, 24'' LONG. (24'' C-C). COST INCLUDED IN PCC BASE COURSE
- ㉑ PROP. DRILL AND GROUT #6 TIE BAR, 24'' LONG. (24'' C-C). COST INCLUDED IN PROP. CURB & GUTTER

 PAVEMENT/MEDIAN REMOVAL



EXISTING TYPICAL SECTION
COTTAGE GROVE AVE.
STA. 116+20 TO 121+50



PROPOSED TYPICAL SECTION
COTTAGE GROVE AVE.
STA. 116+20 TO 121+50

NOTES:

EXIST. CURB & GUTTER - 116+20 TO 116+65 RT. & LT.
PROP. B.6-24 CURB & GUTTER 116+20 TO 117+50.

SUBBASE GRAN. MATERIAL, TYPE C TO BE PLACED UNDER
PROP. HMA SHOULDERS ADJACENT TO ROADWAY WIDENING.

CLASS C PATCHES TO BE PLACED ON COTTAGE GROVE AVE.

REVISIONS		ILLINOIS DEPARTMENT OF TRANSPORTATION
NAME	DATE	
		<p align="center">EXISTING AND PROPOSED TYPICAL SECTIONS COTTAGE GROVE AVE. AT US 30</p> <p>SCALE: VERT. _____ HORIZ. _____</p> <p>DATE _____ DRAWN BY _____ CHECKED BY _____</p>

REV. 1