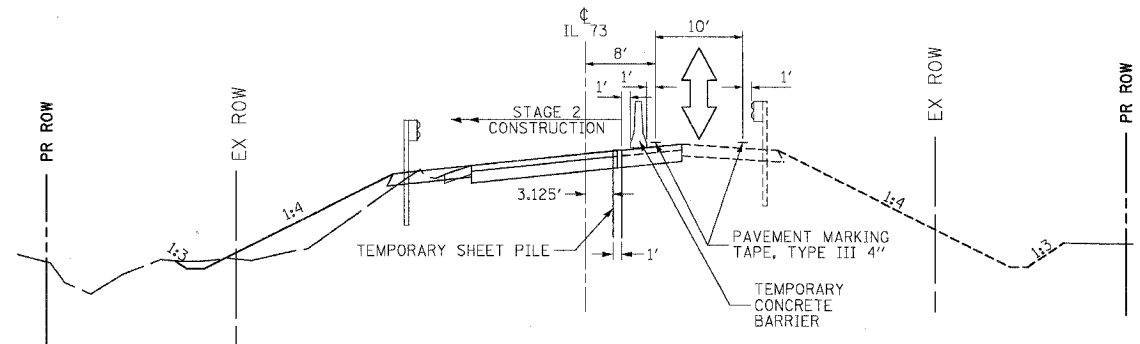


F.A.S. RTE.	SECTION	COUNTY	TOTAL SHEETS	SHEET NO.
1087	106T-1	STEPHENSON	78	23
STA. 959+00		TO STA. 963+00		
FED. ROAD DIST. NO.	ILLINOIS	FED. AID PROJECT		



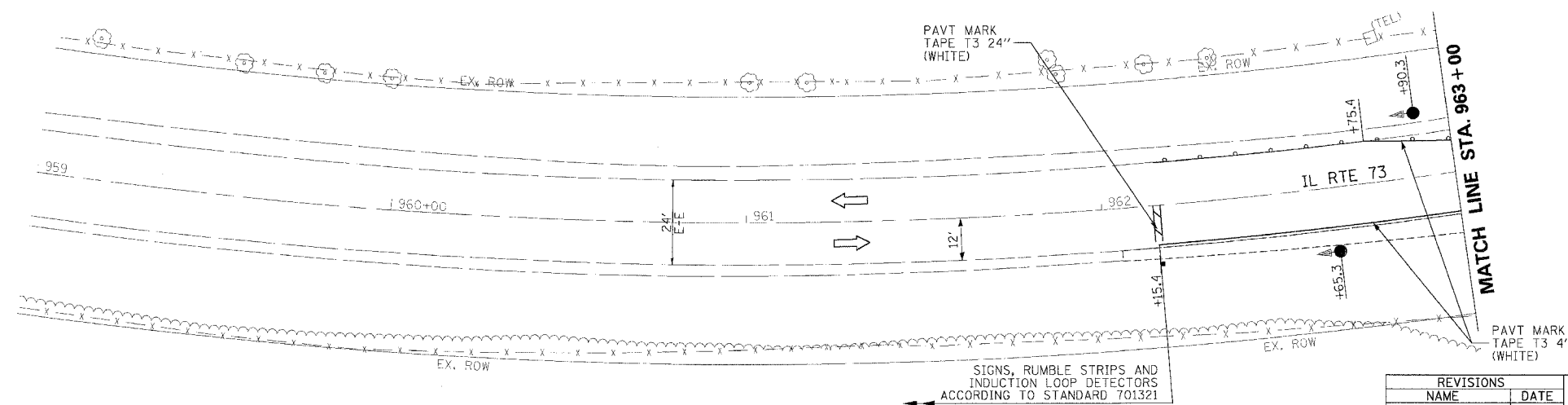
STAGE 2 TYPICAL SECTION

STAGE 2 CONSTRUCTION
 -CONSTRUCT UPSTREAM END OF PROPOSED BOX CULVERT
 -CONSTRUCT PATCH OVER BOX CULVERT
 -CONSTRUCT HMA SHOULDER ON LEFT SIDE
 -CONSTRUCT GUARDRAIL ON LEFT SIDE
 -CONSTRUCT PERMANENT PAVEMENT MARKINGS

STAGE 2 TRAFFIC
 USE STANDARD 701321, LANE CLOSURE, 2L, 2W, BRIDGE REPAIR WITH BARRIER FOR SETTING UP MAINTENANCE OF TRAFFIC FOR STAGE 2.
 USE STANDARD 701311, LANE CLOSURE 2L, 2W, MOVING OPERATIONS-DAY ONLY FOR PLACING PAVEMENT MARKINGS.

USE STANDARD 701306 AND 701326 AS NEEDED FOR CONSTRUCTION OF SHOULDERS.
 USE STANDARDS 701001, 701006, 701011, AND 701311 AS NEEDED.

- LEGEND**
- DRUMS (PER STD. 701321)
 - DOUBLE VERTICAL PANELS (25' C-C)
 - TRAFFIC SIGNAL
 - DIRECTION OF TRAFFIC
 - INDUCTION LOOP DETECTOR
 - TYPE III BARRICADE
 - WORK ZONE



SIGNS, RUMBLE STRIPS AND INDUCTION LOOP DETECTORS ACCORDING TO STANDARD 701321

STOP HERE ON RED
 R10-6A-2430

REVISIONS	
NAME	DATE

ILLINOIS DEPARTMENT OF TRANSPORTATION
MAINTENANCE OF TRAFFIC
 IL RTE 73 CULVERT REPLACEMENTS
 STAGE 2 - SN 089-1109
 SCALE: VERT.: N.A.
 HORIZ.: 1:20
 DATE: OCTOBER 1, 2007
 DRAWN BY: DLZ
 CHECKED BY: GB

PLT DATE = 08/15/07
 PLOT NAME = 64C84
 PLOT SCALE = 1:20
 USER NAME = GB