

STATE OF ILLINOIS  
DEPARTMENT OF TRANSPORTATION

ROUTE NO.	SECTION	CONTRACT	DATE	SHEET NO.
I.A.S. 1067	106T-1	STEPHENSON	7B	48
FED. ROAD DIST. NO. 2		ILLINOIS	FED. ROAD PROJECT	

SHEET NO. 03

04 SHEETS

Contract # 64C84

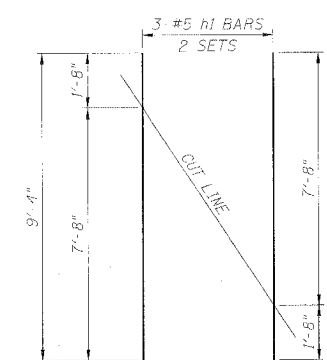
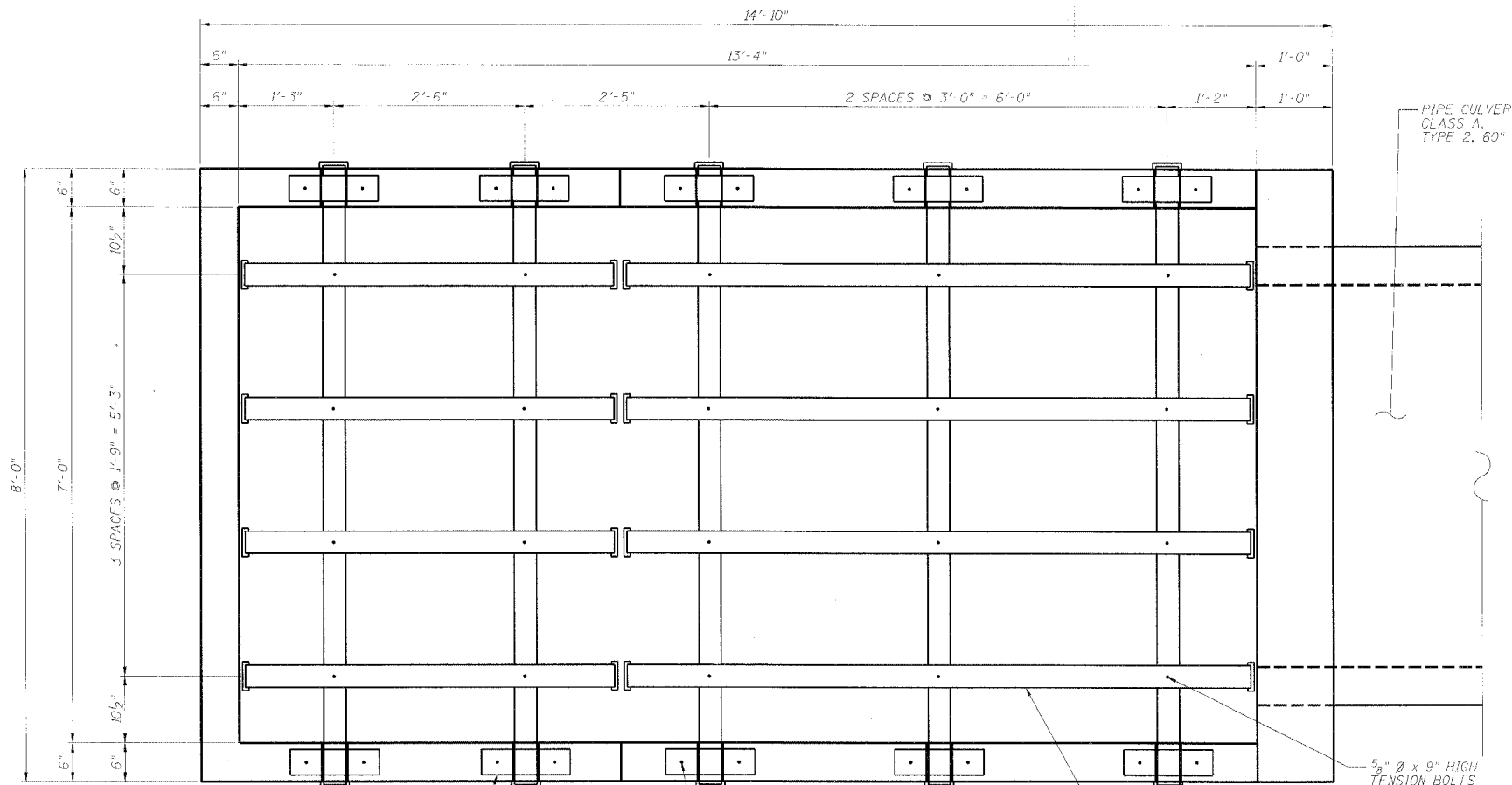
**\* BILL OF MATERIAL**

Bar	No.	Size	Length	Shape
a	30	5	7'-8"	
h	30	5	14'-6"	
h1	6	5	9'-4"	
h2	4	5	1'-3"	
h3	4	5	1'-10"	
h4	4	5	1'-9"	
h5	8	5	2'-5"	
h6	4	5	1'-8"	
h7	8	5	0'-8"	
h8	8	5	1'-0"	
h9	8	5	1'-10"	
h10	4	5	4'-0"	
h11	4	5	3'-0"	
h12	4	5	3'-11"	
h13	4	5	2'-11"	
h14	12	5	7'-8"	
v	12	5	5'-2"	
v1	12	5	3'-6"	
v2	8	7	13'-5"	
v3	8	5	10'-1"	
v4	8	5	6'-11"	
v5	8	5	1'-2"	
v6	8	5	0'-6"	
v7	8	5	5'-2"	
v8	8	5	3'-6"	
x	8	4	5'-10"	
x1	4	4	7'-8"	
Reinforcement Bars				Found
				1,590

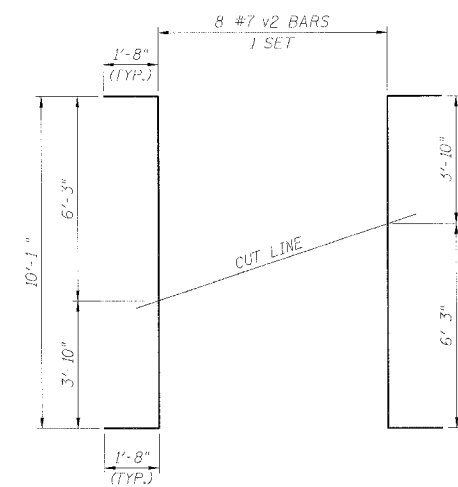
\* TO BE INCLUDED IN UNIT PRICE BID FOR DROP BOX NO. 1

**GENERAL NOTES**

- STEEL PIPES SHALL CONFORM TO A.S.T.M. A-53 (TYPE E OR S) GRADE B, SCHEDULE 40, & SHALL BE GALVANIZED CONFORMING TO A.S.T.M. A-120.
- STEEL PLATES SHALL CONFORM TO AASHTO M-183 & SHALL BE GALVANIZED CONFORMING TO AASHTO M-111.
- BOLTS, NUTS AND WASHERS SHALL BE IN ACCORDANCE WITH ARTICLE 1006.08 OF THE STANDARD SPECIFICATIONS AND SHALL BE GALVANIZED.
- THE CONTRACT UNIT PRICE "EACH" FOR DROP BOX NO. 1 SHALL INCLUDE THE EXPANSION BOLTS, GALVANIZED PIPES, BOLTS, NUTS, REINFORCEMENT, WASHERS AND STEEL PLATES.

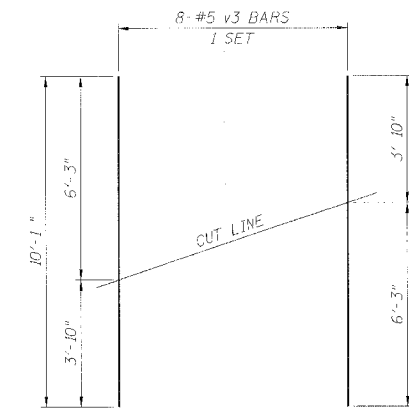


**BARS h1**



**BARS v2**

USE REMAINDER OF BAR IN OPPOSITE SIDEWALL



**BARS v3**

USE REMAINDER OF BAR IN OPPOSITE SIDEWALL

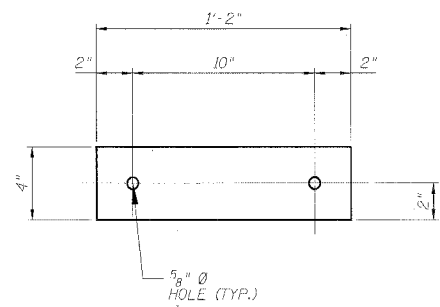
9" SQUARE OR ROUND 1/2" GALV. PLATE WITH HOLE TO FIT 3 1/2" Ø PIPE

1/2" Ø EXP. BOLTS (TYP.)

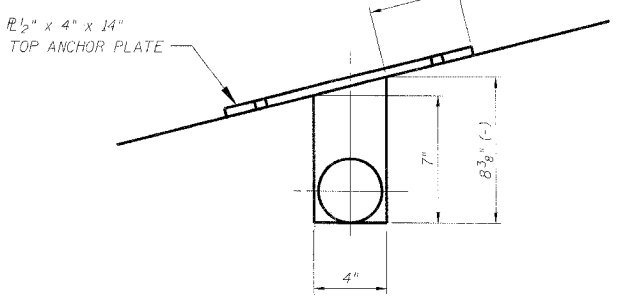
3 1/2" Ø GALVANIZED STEEL PIPE (TYP.)

GALVANIZED STEEL PIPE CAPS (TYP. ALL ENDS.)

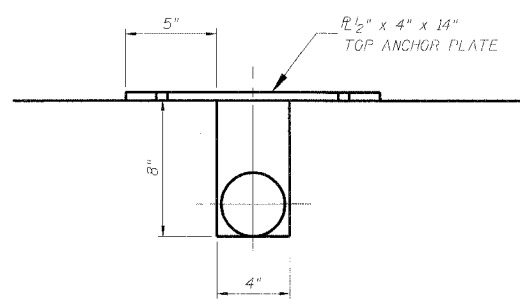
**INLET GRATE PLAN**



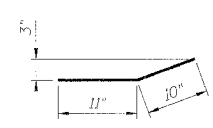
**TOP ANCHOR PLATE**



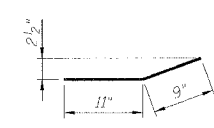
**DETAIL B**



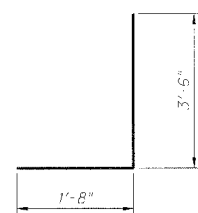
**DETAIL A**



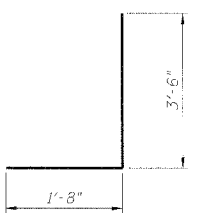
**BAR h4**



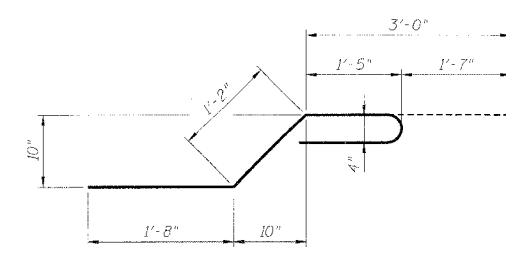
**BAR h4**



**BAR v**



**BAR v7**



**BAR x**

ITEM	UNIT	QUANTITY
3 1/2" Ø GALV. STEEL PIPE	EACH	5 @ 8'-1"
1/2" x 4" x 14" GALV. ANCHOR PLATE	EACH	4 @ 4'-10"
5/8" Ø x 9" GALV. BOLTS	EACH	20
1/2" Ø GALV. EXP. BOLTS	EACH	20
9" SQ. OR ROUND 1/2" GALV. PLATE	EACH	10
GALV. STEEL PIPE CAPS	EACH	26

\* FOR INFORMATION ONLY, COST TO BE INCLUDED IN UNIT PRICE BID FOR DROP BOX NO. 1

**DROP BOX NO. 1 DETAILS**  
F.A.S. 1087 (IL. RTE. 73)  
SECTION 106T-1  
STEPHENSON COUNTY  
STATION 1044+62.44

DESIGNED	ASP	200
CHECKED	WSP	EXAMINED
DRAWN	BEM	PASSED
CHECKED	ASP	ENGINEER OF BRIDGES AND STRUCTURES