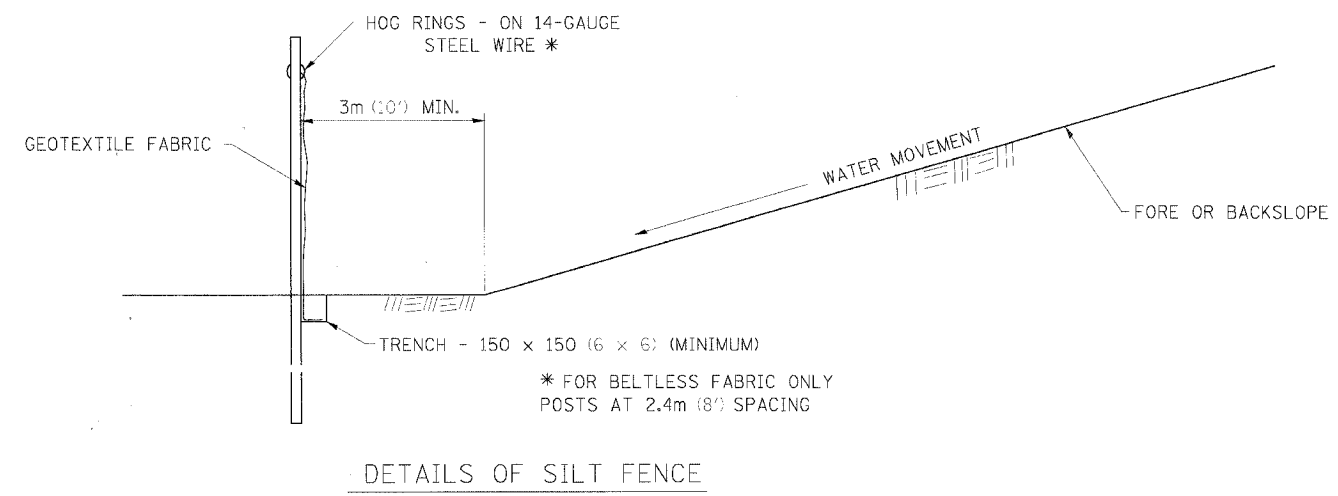
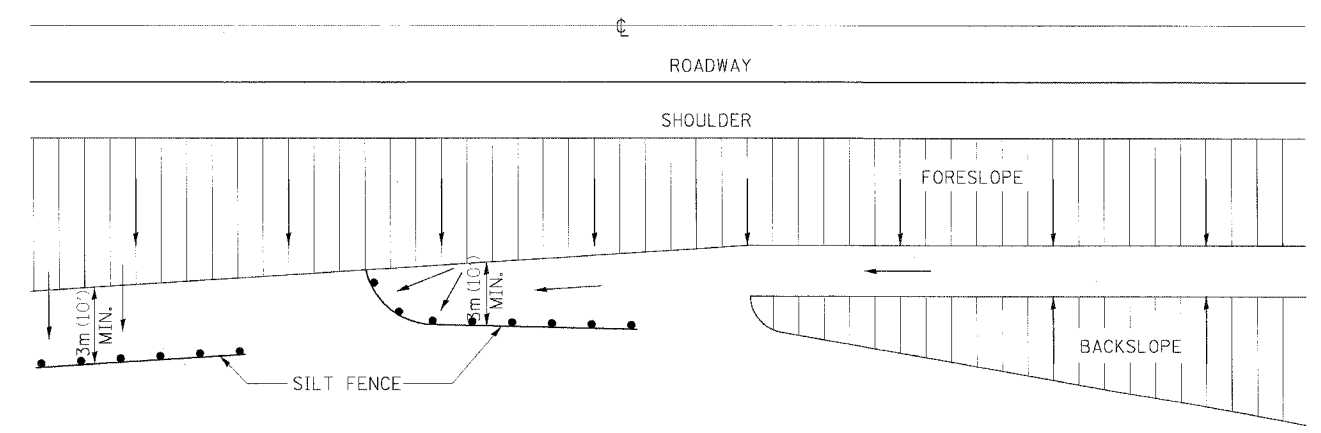


F.A.S. RITE	SECTION	COUNTY	TOTAL SHEETS	SHEET NO.
1087	106I-1	STEPHENSON	78	56
STA.	TO STA.			
FED. ROAD DIST. NO. ILLINOIS FED. AID PROJECT				

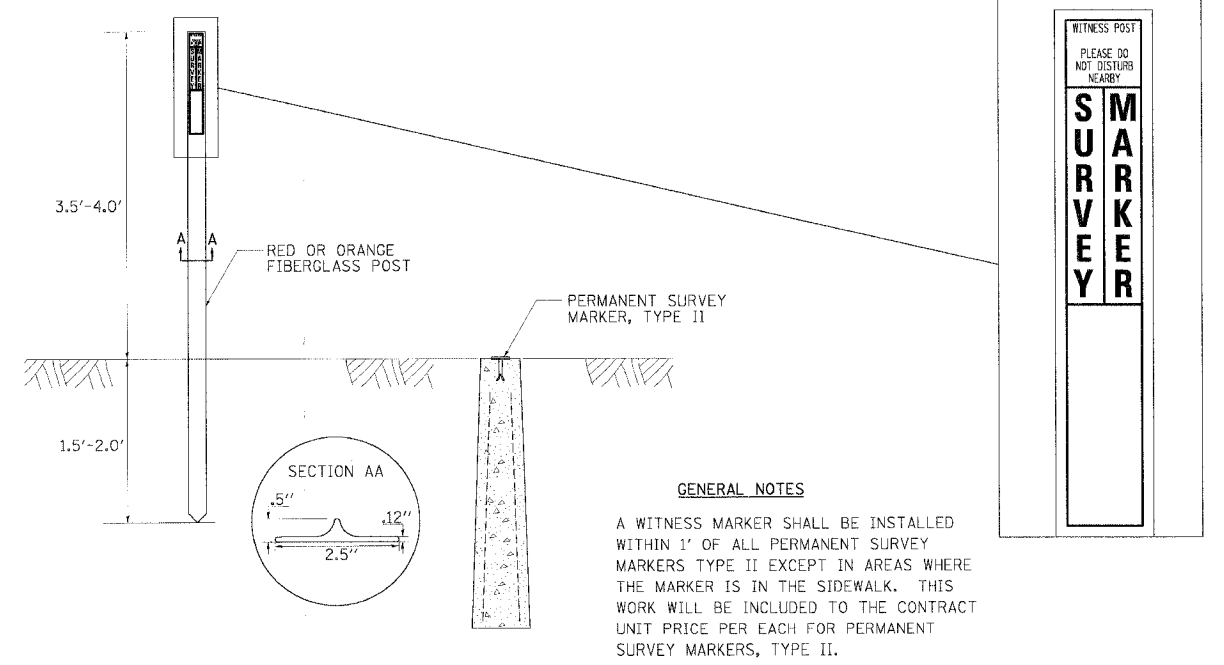
# EROSION CONTROL DETAILS FOR SILT FENCE



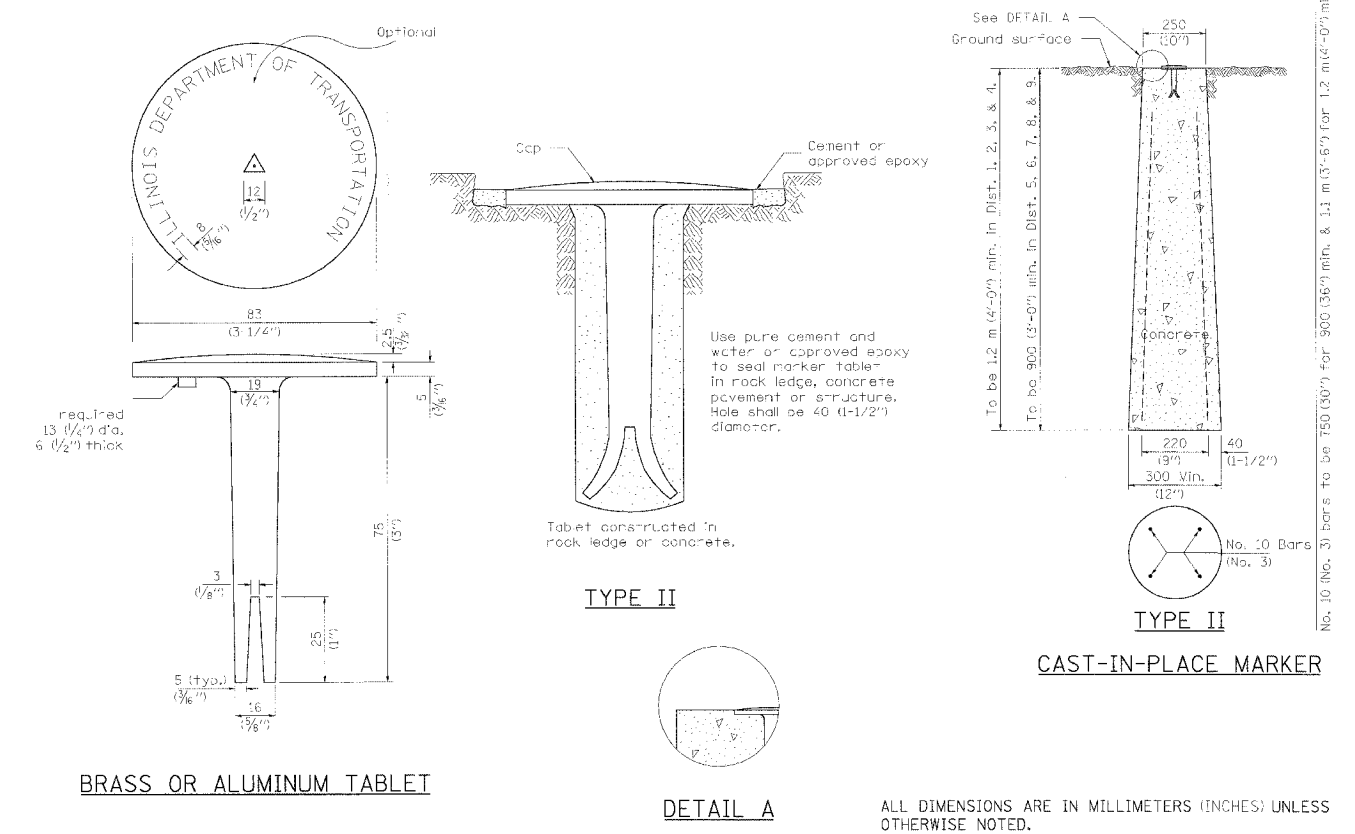
DETAILS OF SILT FENCE

ALL DIMENSIONS ARE IN MILLIMETERS (INCHES) UNLESS OTHERWISE NOTED.

# WITNESS MARKER FOR PERMANENT SURVEY MARKERS, TYPE II



# PERMANENT SURVEY MARKERS, TYPE II



BRASS OR ALUMINUM TABLET

DETAIL A

TYPE II CAST-IN-PLACE MARKER

ALL DIMENSIONS ARE IN MILLIMETERS (INCHES) UNLESS OTHERWISE NOTED.

PLOT DATE = #DATE#  
 PLOT SCALE = #SCALE#  
 PLOT MARKS = #MARKS#  
 REFERENCE = #REF#