

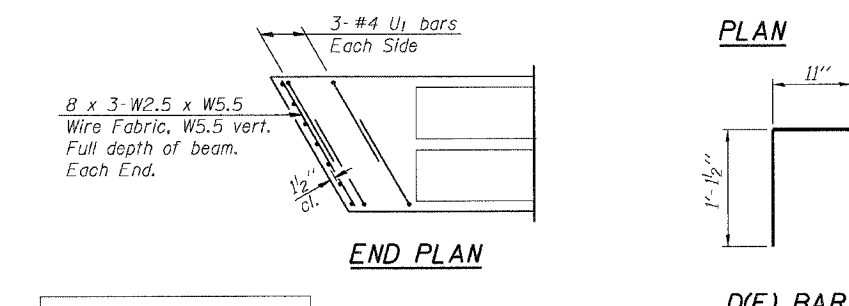
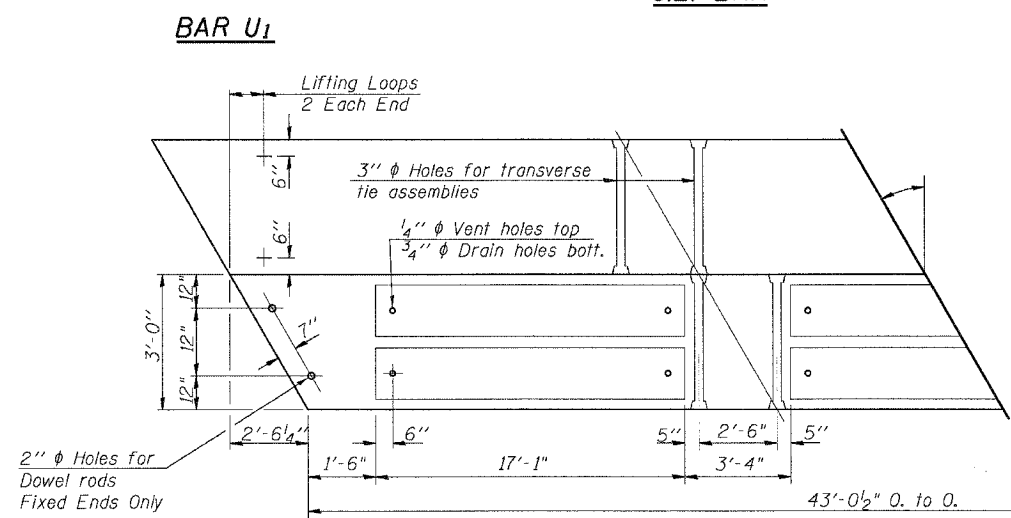
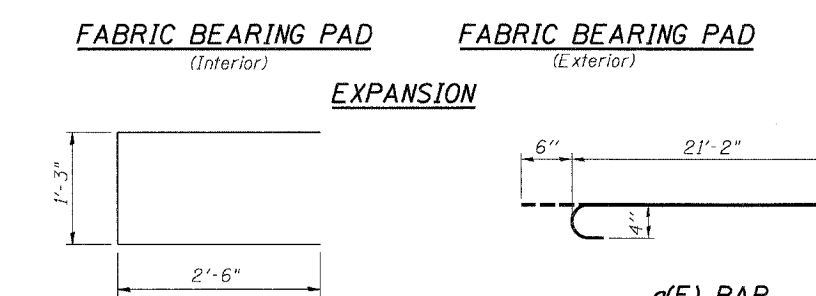
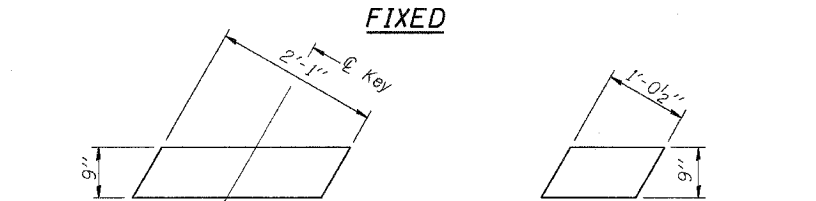
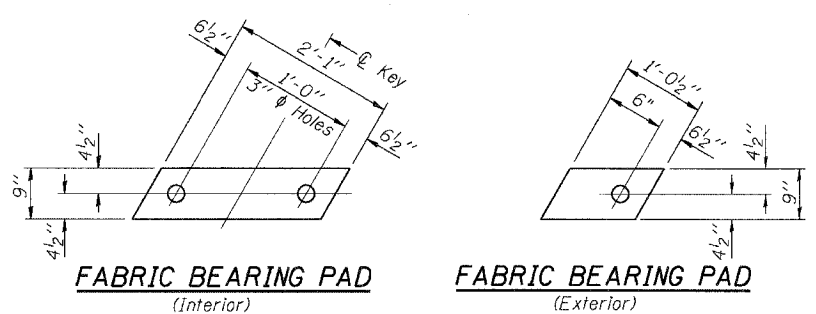
STATE OF ILLINOIS
DEPARTMENT OF TRANSPORTATION

ROUTE NO.	SECTION	COUNTY	TOTAL SHEETS	SHEET NO.
FAP 308	104-BY-1BRD	CARROLL	40	16
FED. ROAD DIST. NO. 7		ILLINOIS	FED. AID PROJECT -	

SHEET NO. 4

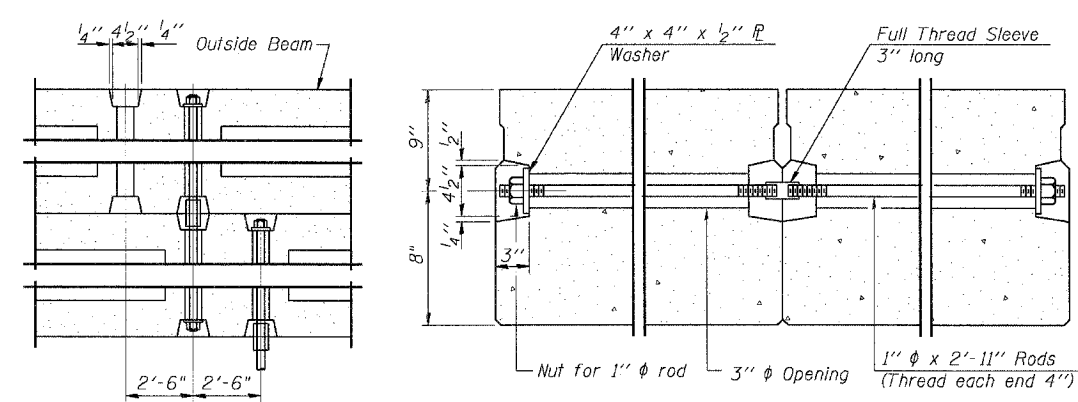
9 SHEETS

Contract #64D14

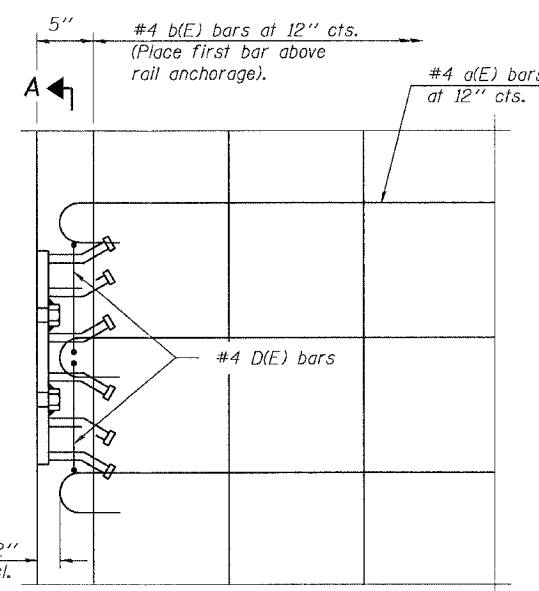


DESIGNED	GPM
CHECKED	BRT
DRAWN	GPM
CHECKED	BRT

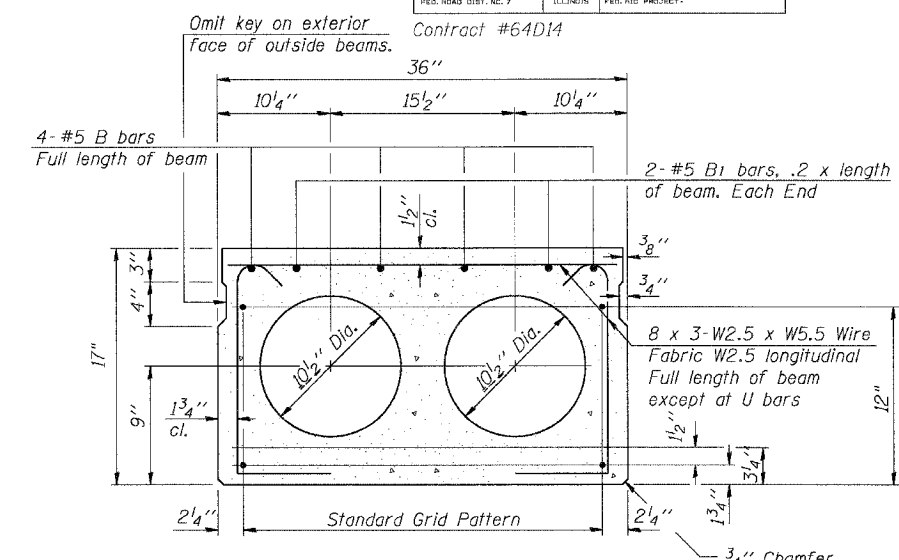
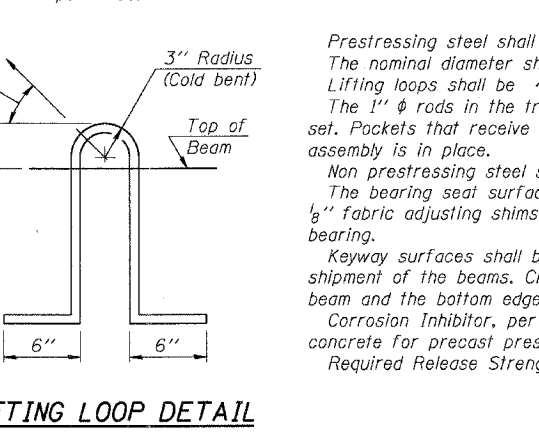
PD-3-R 11-1-06



TYPICAL TRANSVERSE TIE ASSEMBLY



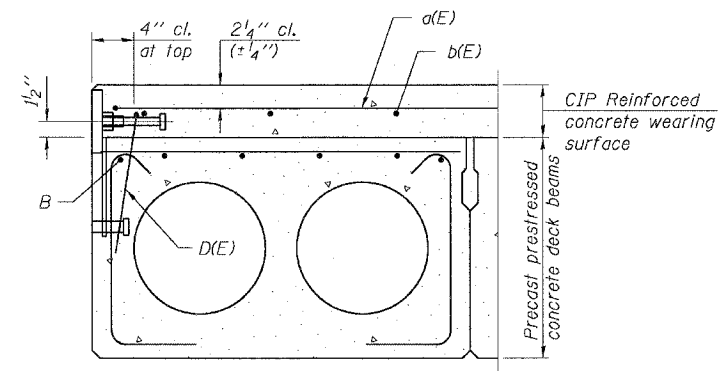
NOTES:
The rail anchorage shall be cast with the beam and the wearing surface shall be cast in the field. Formwork necessary for the wearing surface may be secured utilizing the bottom rail anchorage inserts and/or additional inserts cast into the beam. Drilling into the beam will not be permitted.



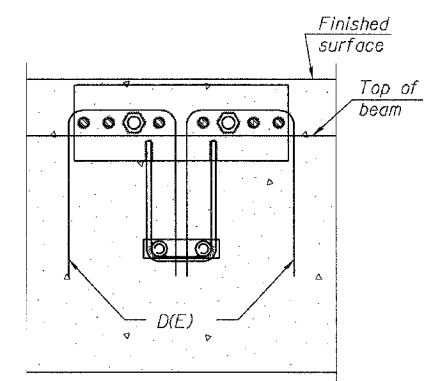
TYPICAL SECTION

1/2" Strands, Each Strand Stressed to 30,900 Lbs.
9-Strands 1 3/4" up, 4-Strands 3/4" up, 2-Strands 12" up

Note:
Place strands symmetrically about center of beam.



CROSS SECTION



SECTION A-A

NOTES

Prestressing steel shall be uncoated high strength, low relaxation 7-wire strand, Grade 270. The nominal diameter shall be 1/2" and the nominal cross-sectional area shall be 0.153 sq. in. Lifting loops shall be 4-1/2" x 270 ksi strands, as shown. The 1" rods in the transverse tie assembly shall be lightened to a snug fit and the threads set. Pockets that receive transverse tie bar on outside shall be filled with grout after transverse tie assembly is in place. Non prestressing steel shall conform to ASTM A 706 (IL MOD), Grade 60. The bearing seat surfaces shall be adjusted by shimming to assure firm and even bearing. Two 1/8" fabric adjusting shims of the dimensions of the Exterior Bearing Pad shall be provided for each bearing. Keyway surfaces shall be cleaned to remove form oil or other bond breaking material prior to shipment of the beams. Cleaning shall be done by sandblasting the keyway areas between top of the beam and the bottom edge of the key. Corrosion Inhibitor, per Article 1020.05(b)(12) of the Standard Specifications, shall be used in the concrete for precast prestressed concrete deck beams. Required Release Strength, f'ci, shall be 4000 p.s.i.

BILL OF MATERIAL

Precast Prestressed Conc. Deck Bms.	Sq. Ft.
17" X 36"	1420

ILLINOIS DEPARTMENT OF TRANSPORTATION

DECK BEAM DETAILS

IL-84 OVER A DRAINAGE DITCH
FAP ROUTE 308 SECTION 104-BY-1BRD
CARROLL COUNTY
STATION 566+38
STRUCTURE NO. 008-0016

SCALE: NONE
DATE: 10/10/07