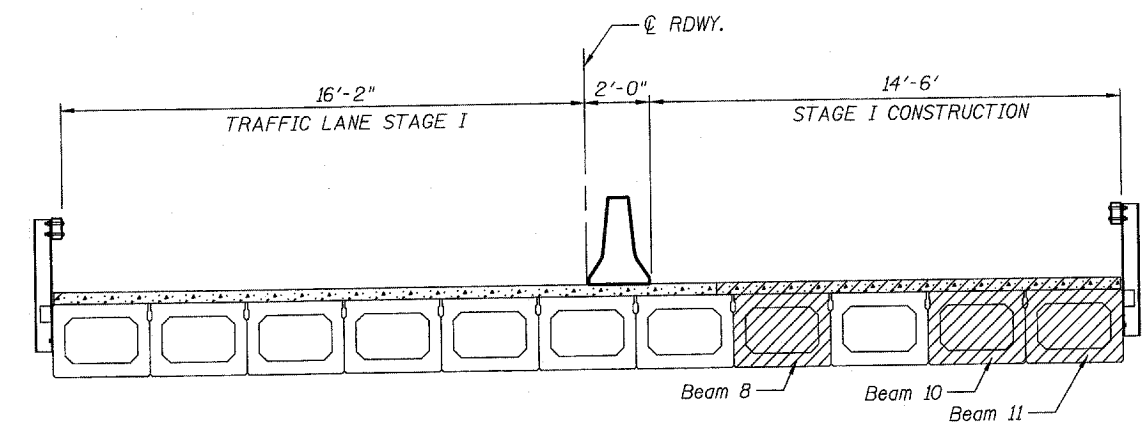
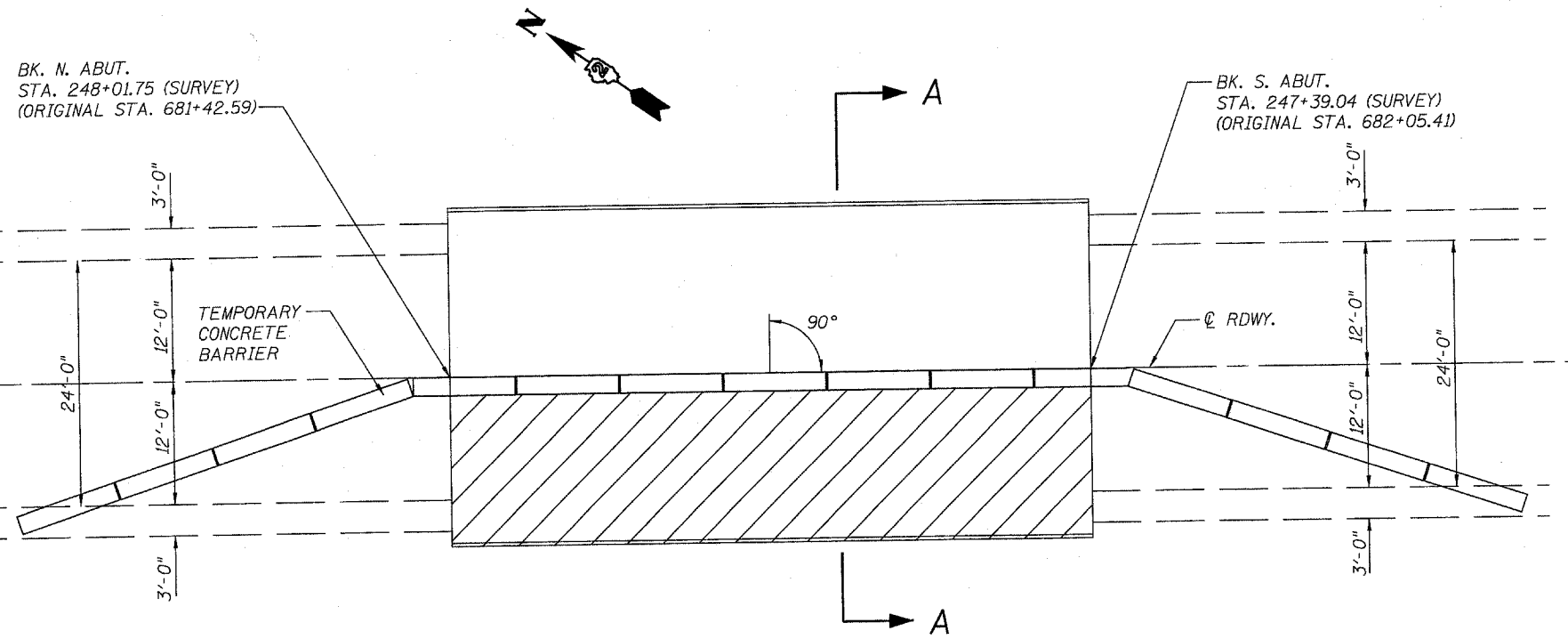


STATE OF ILLINOIS
DEPARTMENT OF TRANSPORTATION

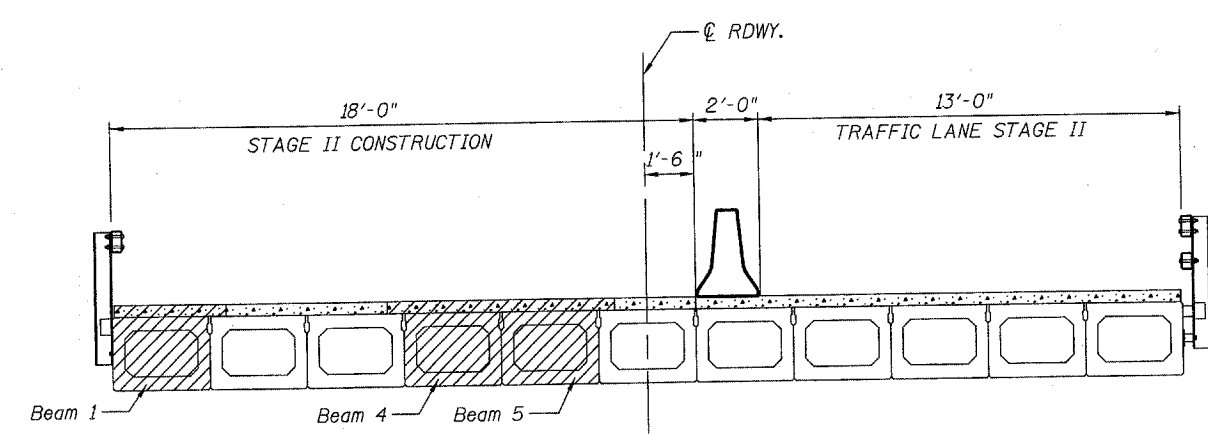
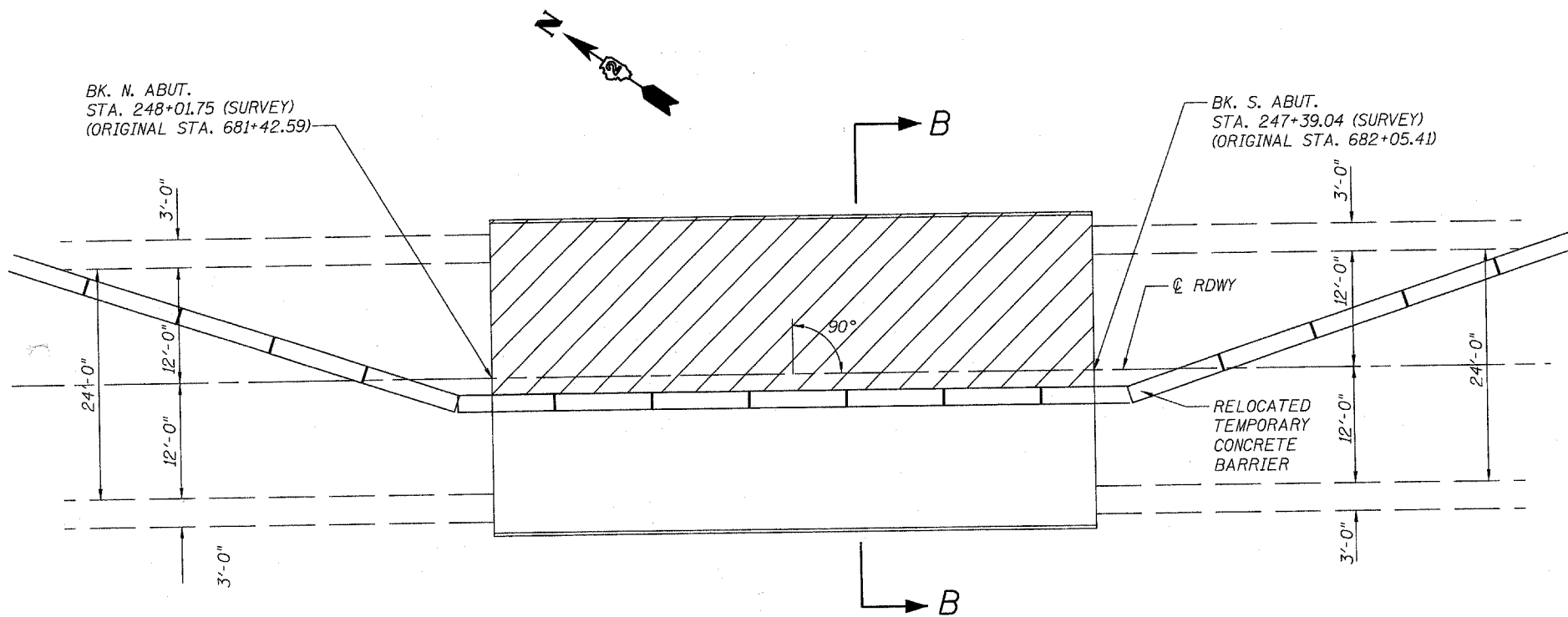
ROUTE NO.	SECTION	COUNTY	TOTAL SHEETS	SHEET NO.	SHEET NO. 2
FAP 646		CARROLL	13	8 SHEETS	
FED. ROAD DIST. NO. 7	ILLINOIS	FED. AID PROJECT-			



SECTION A-A

STAGE I CONSTRUCTION

- INSTALL TEMPORARY CONCRETE BARRIER AS SHOWN.
- MOVE TRAFFIC TO STAGE I TRAFFIC LANE.
- SAWCUT CONCRETE DECK, REMOVE DECK OVER BEAMS 8, 9, 10 & 11. DISCONNECT TIE RODS, AND REMOVE BEAMS 8, 10 & 11.
- REPLACE BEAMS, DECK, AND GUARDRAIL.



SECTION B-B

STAGE II CONSTRUCTION

- RELOCATE TEMPORARY CONCRETE BARRIER AS SHOWN.
- MOVE TRAFFIC TO STAGE 2 TRAFFIC LANES.
- SAWCUT CONCRETE DECK, REMOVE DECK OVER BEAMS 1, 4 & 5. DISCONNECT TIE RODS, AND REMOVE BEAMS 1, 4 & 5.
- REPLACE BEAM, DECK AND GUARDRAIL.
- REMOVE TEMPORARY CONCRETE BARRIER.

DESIGNED	DFM
CHECKED	CH
DRAWN	MV
CHECKED	DFM

STAGING PLAN
F.A.P. 646 (IL RTE 40)
CARROLL COUNTY
STRUCTURE NO. 008-0014
SHEET 13 OF 52