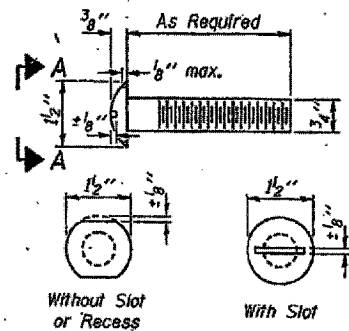
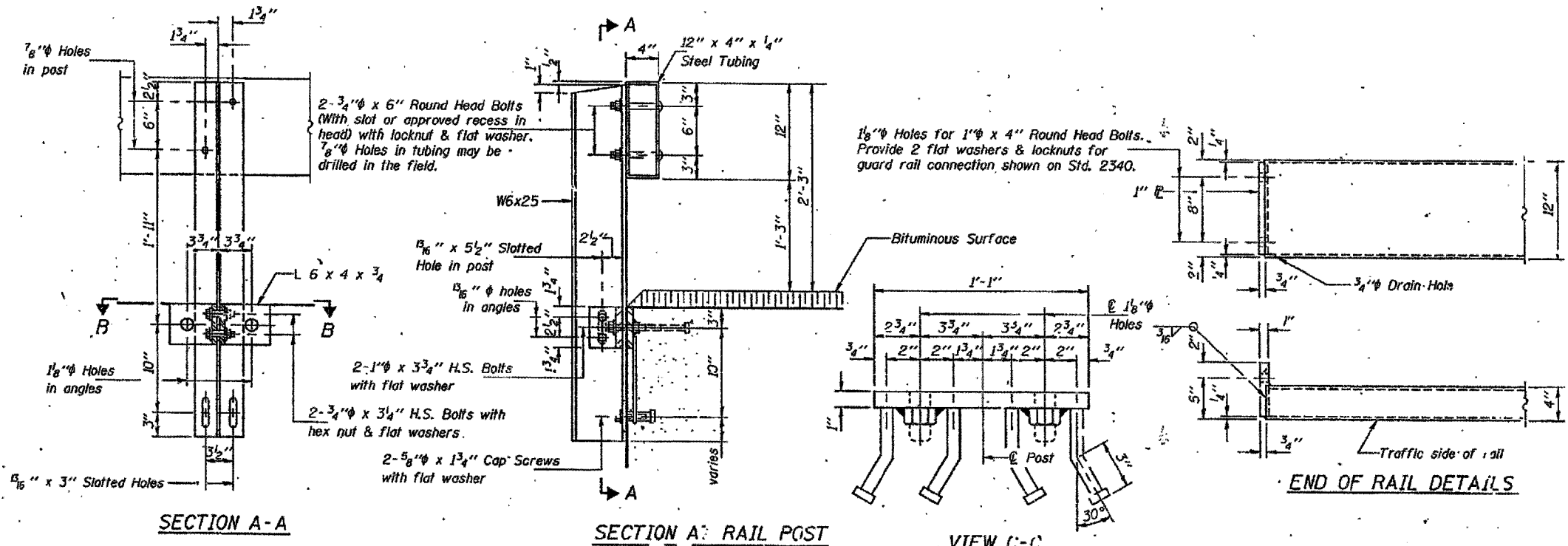


STATE OF ILLINOIS
DEPARTMENT OF TRANSPORTATION

ROUTE	SECTION	COUNTY	SHEETS	POST	SHEET NO.
640	CARROLL		8	8	2
* 5BR-1-M					SHEETS

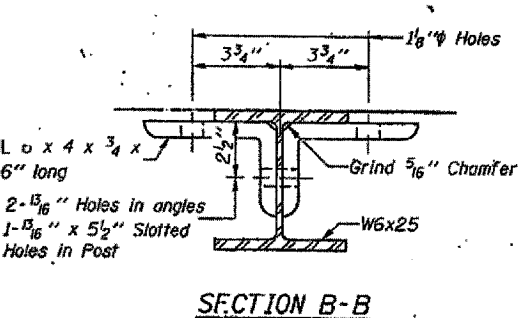


VIEW A-A
ROUND HEAD BOLT

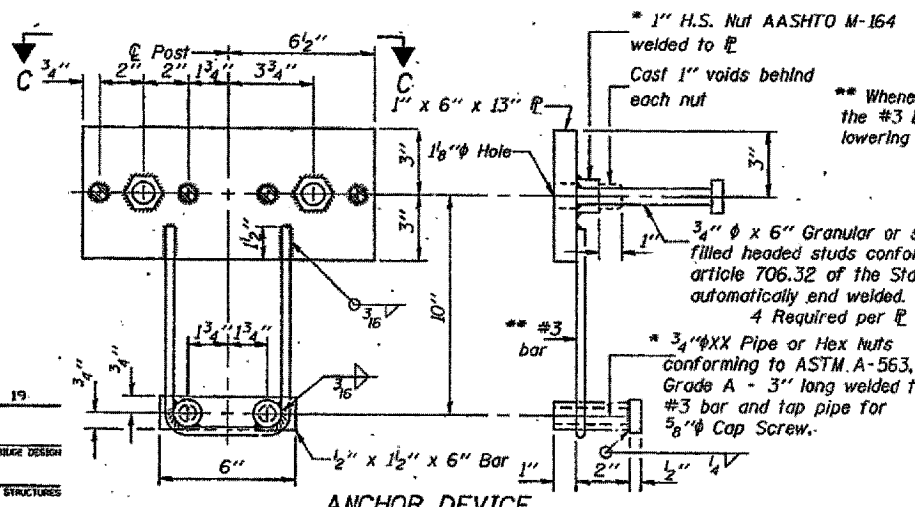


NOTES

Hollow structural steel tubing shall conform to the requirements of ASTM designation A-500 Grade B Structural Steel Tubing and shall meet the longitudinal CVN requirements of 15 ft-lbs at 0° F.
All other steel shapes and plates shall conform to the requirements of AASHTO M-270 Grade 36 except posts and angles shall conform to AASHTO M-270, Grade 50.
Bolts, cap screws, and nuts shall conform to the requirement of ASTM designation A-307 except for high strength bolts, nuts and washers noted which shall conform to AASHTO M-164.
All bolts, nuts, cap screws, washers and lock washers shall be galvanized in accordance with AASHTO M-232.
All posts, railing, rail splices, anchor devices and angles shall be galvanized after shop fabrication in accordance with AASHTO M-111 and ASTM A-385. Galvanized rail shall not be painted.
Railing shall be in accordance with Section 509 of the Standard Specifications, except as noted, and will be paid for at the contract unit price per foot for STEEL RAILING, TYPE S-1.
All field drilled holes shall be coated with an approved zinc rich paint before erection.
The lower portion of the post flange in contact with concrete shall receive two coats of asphalt paint conforming to Section 760.07 Type II or place 1/2 inch fabric bearing pad between the post and concrete.
The 3/4 inch high strength bolts used to connect the 6 x 4 x 3/4 angles to the post shall be tightened in accordance with Article 505.04(F)(3) of the Standard Specifications. The 1 inch high strength bolts connecting the angles to the concrete shall be tightened to a snug fit and given an additional 1/8 turn. The 5/8 inch cap screws in bottom of posts shall be tightened to a snug fit only.

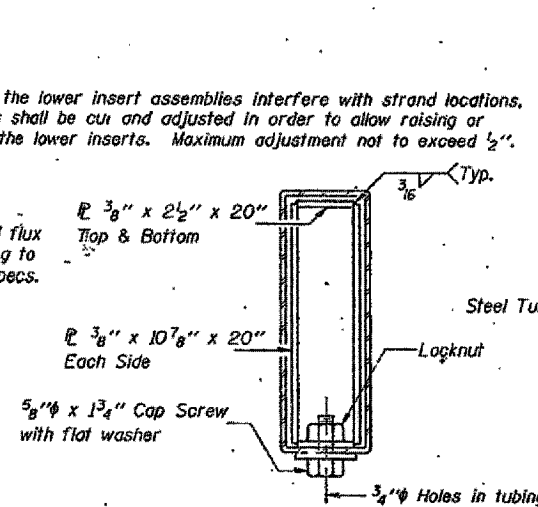


SECTION B-B

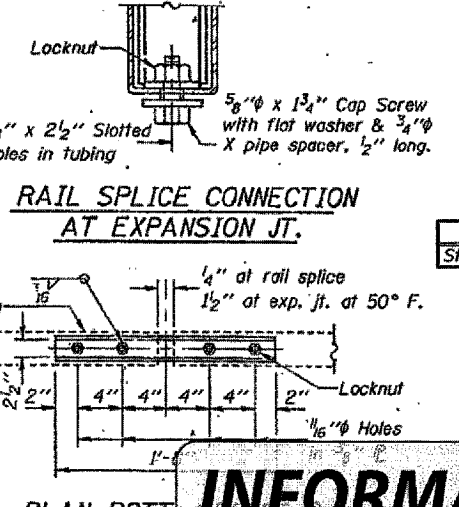


ANCHOR DEVICE

* Threaded areas shall be plugged or covered with a cap screw.



SECTIONS AT RAIL SPLICE



PLAN-BOTTOM TYPICAL

FOR INFORMATION ONLY

BILL OF MATERIAL

Item	Unit	Quantity
Steel Railing Type S-1	Foot	

TYPE S-1
STEEL RAILING

INFORMATION ONLY

DESIGNED	19
CHECKED	
DRAWN	
CHECKED	