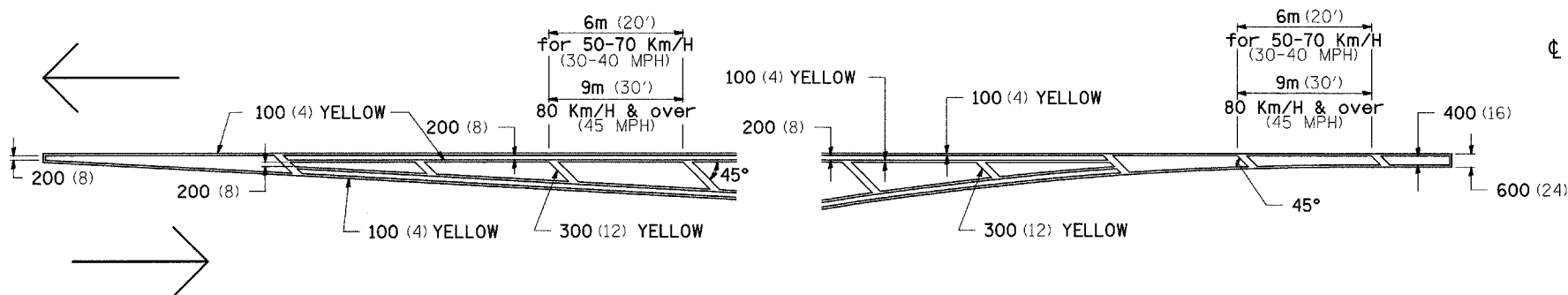
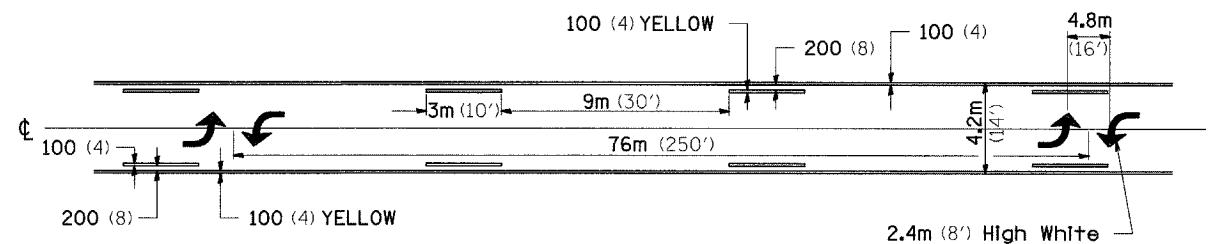


# TYPICAL PAVEMENT MARKINGS

## TYPICAL PAVEMENT MARKING FOR FLUSH MEDIAN AT LEFT TURN LANE

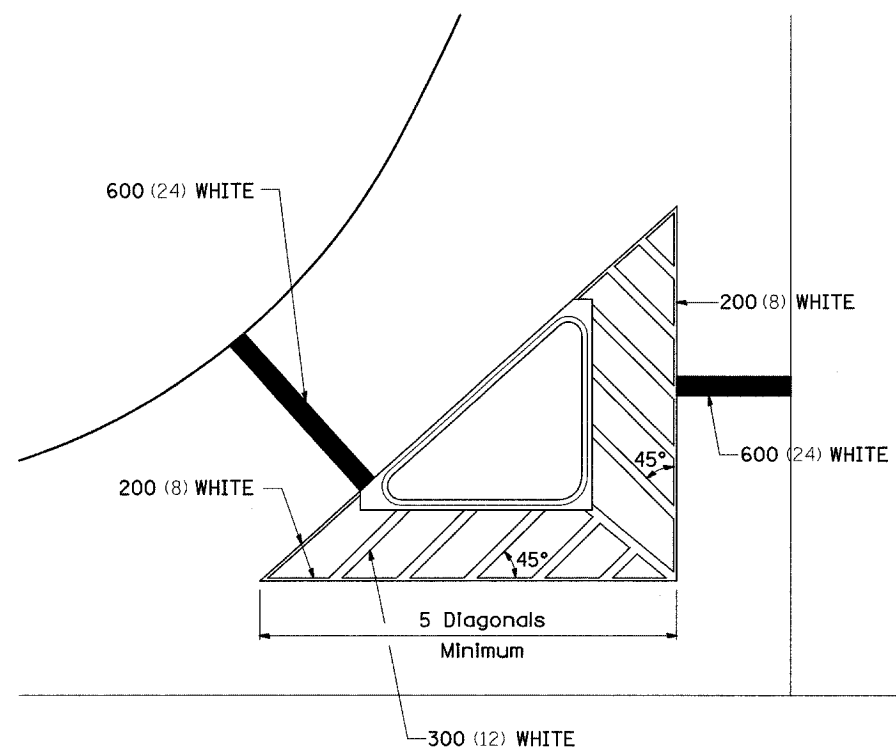


## MEDIAN PAVEMENT MARKING

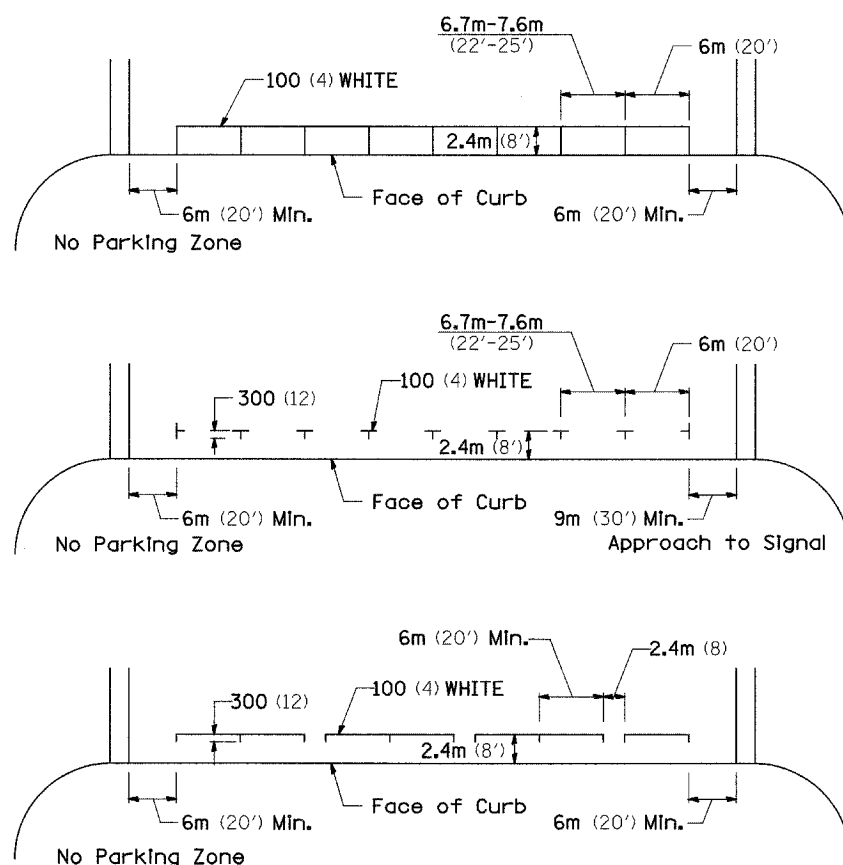


\*\* ALL DIMENSIONS ARE IN MILLIMETERS (INCHES) UNLESS OTHERWISE NOTED.

## TYPICAL ISLAND OFFSET SHOULDER WIDTH

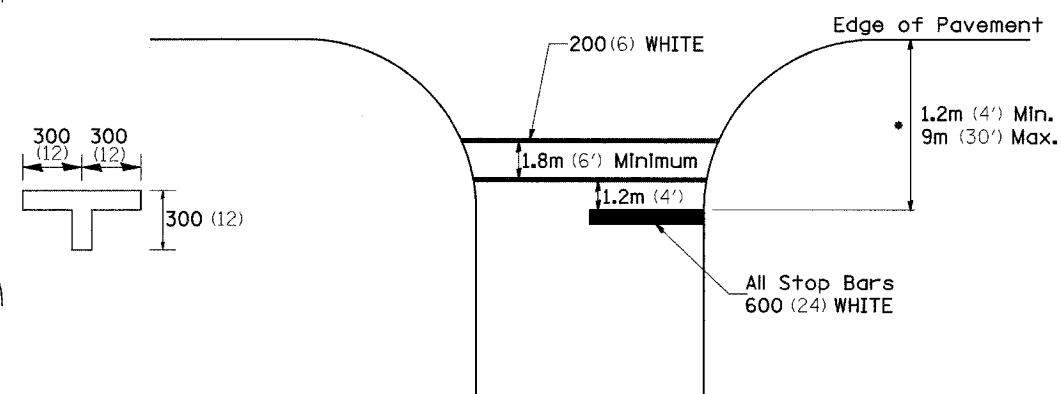


## TYPICAL PARKING SPACING



## STANDARD CROSSWALK MARKING

See Schedules for Locations



• Distance to the nearest edge of the intersecting roadway in the absence of a marked crosswalk.

FILE NAME = c:\projects\p206\07\d06\07std.dgn	USER NAME = duncanfa	DESIGNED -	REVISED - 7-20-06	<b>STATE OF ILLINOIS DEPARTMENT OF TRANSPORTATION</b>	<b>REGION 2 / DISTRICT 2 STANDARD</b>	F.A.P. RTE. 646	SECTION (5BR-1)D	COUNTY CARROLL	TOTAL SHEETS 52	SHEET NO. 30		
						SCALE:	SHEET NO. 52 OF 30 SHEETS	STA.	TO STA.	CONTRACT NO. 64D29		
						FED. ROAD DIST. NO. ILLINOIS FED. AID PROJECT						
						<b>TYPICAL PAVEMENT MARKINGS SHEET 1 OF 2 41.1</b>						