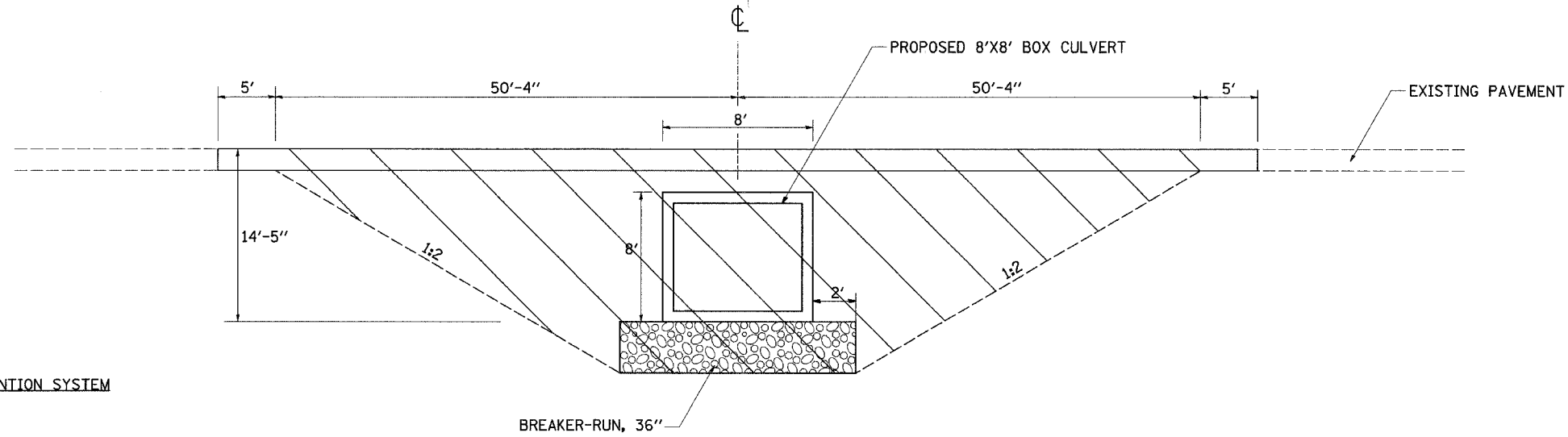


F.A.P. RTE.	SECTION	COUNTY	TOTAL SHEETS	SHEET NO.
642	11T	CARROLL	79	49
STA.		TO STA.		
FED. ROAD DIST. NO.		ILLINOIS FED. AID PROJECT		

TEMPORARY SOIL RETENTION SYSTEM DETAIL

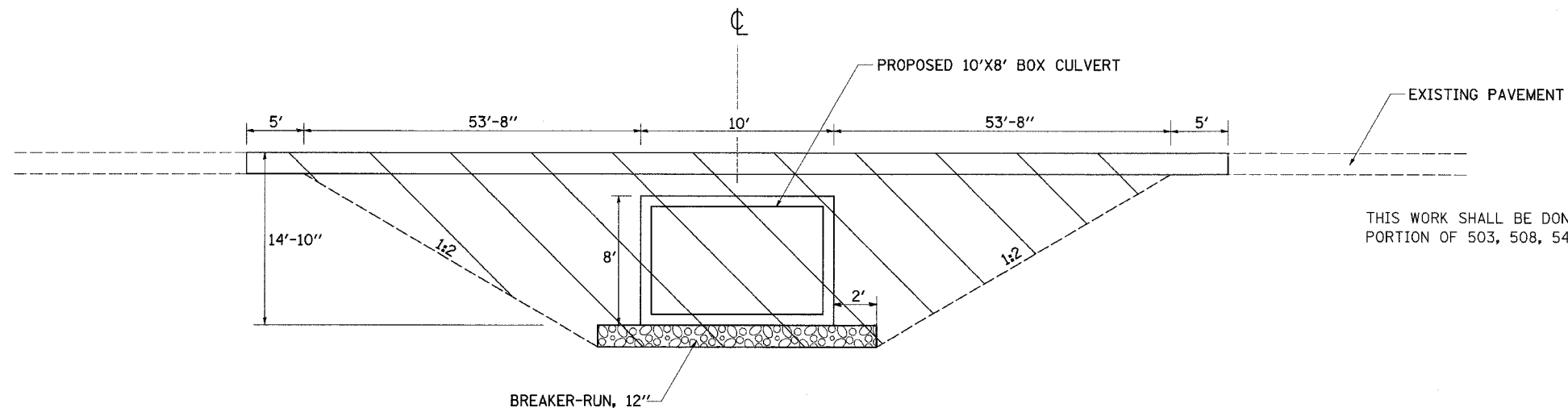
STA. 801 + 47



X0323988 TEMPORARY SOIL RETENTION SYSTEM

SQ. FT.	LOCATION
	IL 78
1035	STA.801+47
1002	STA.805+80
2037	TOTAL

STA. 805 + 80



THIS WORK SHALL BE DONE ACCORDING TO THE APPLICABLE PORTION OF 503, 508, 540, AND 542 OF THE STANDARD SPECIFICATIONS.



TEMPORARY SOIL RETENTION SYSTEM AREA

REVISIONS	
NAME	DATE

ILLINOIS DEPARTMENT OF TRANSPORTATION

SCALE: VERT. HORIZ. DATE

DRAWN BY CHECKED BY

PLOT DATE = Wed Oct 10 15:25:34 2007
 FILE NAME = c:\projects\p200698\309688.dgn
 USER NAME = c:\users\j...
 USER NAME = c:\users\j...