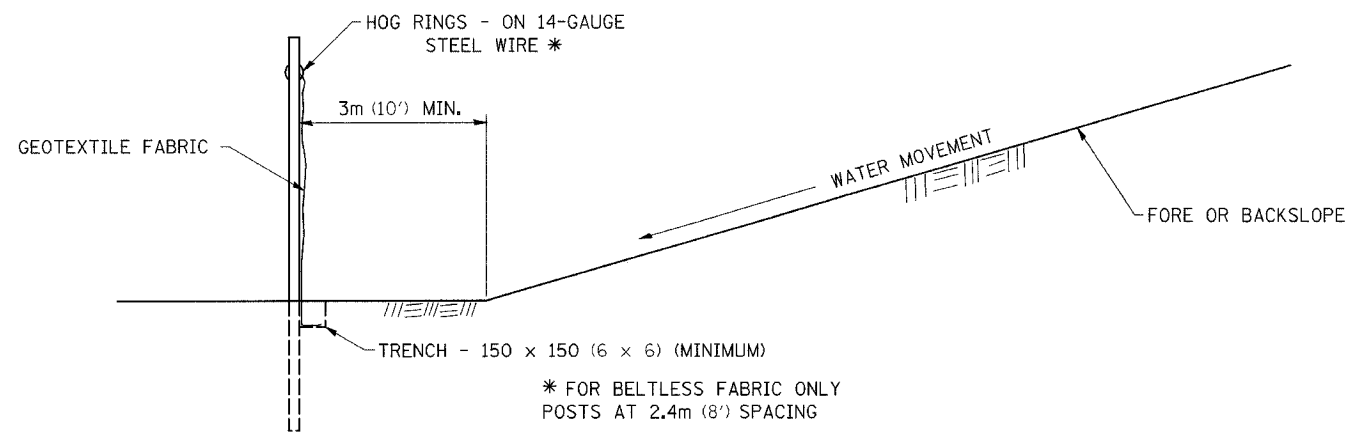
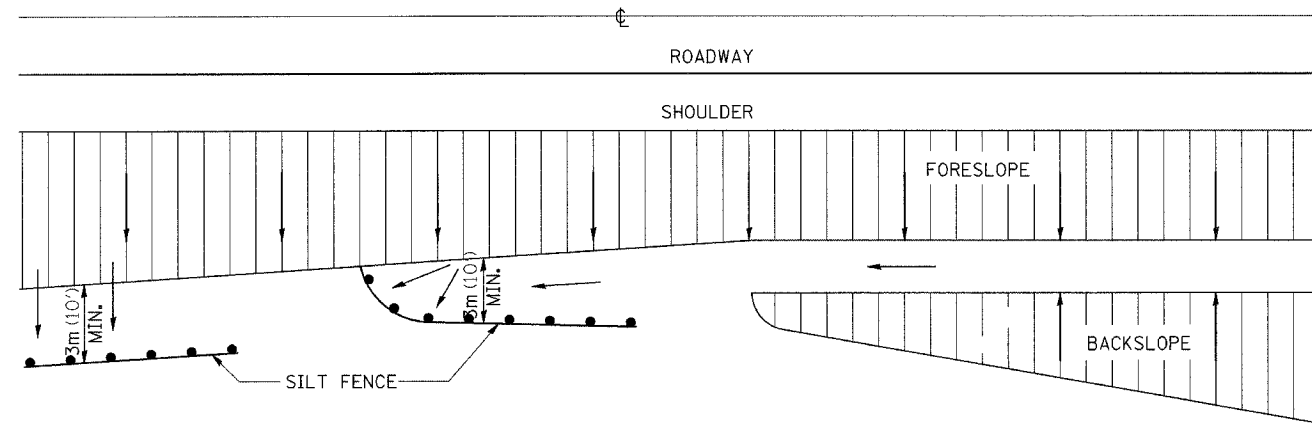


# EROSION CONTROL DETAILS FOR SILT FENCE



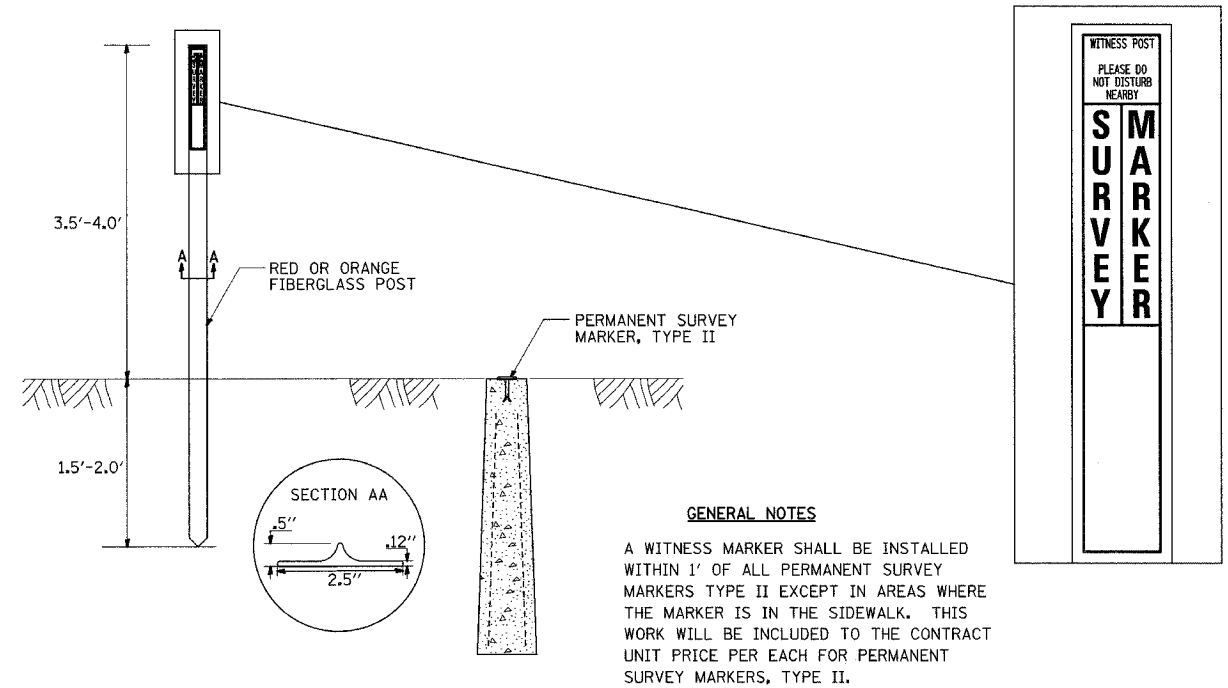
DETAILS OF SILT FENCE

\* FOR BELTLESS FABRIC ONLY  
POSTS AT 2.4m (8') SPACING

ALL DIMENSIONS ARE IN MILLIMETERS (INCHES) UNLESS OTHERWISE NOTED.

# WITNESS MARKER FOR PERMANENT SURVEY MARKERS, TYPE II

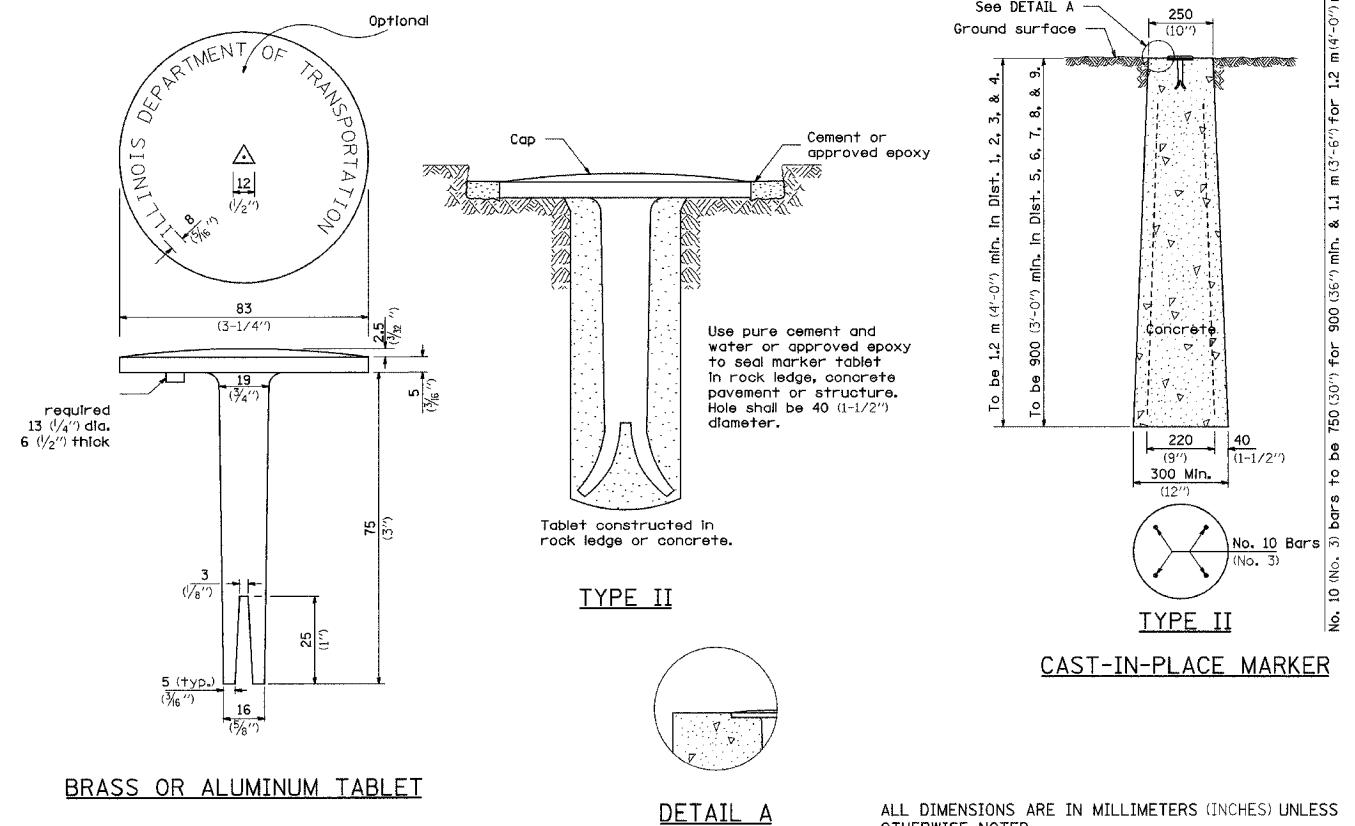
CONTRACT NO. 64D82			
F.A.P. RTE.	SECTION	COUNTY	TOTAL SHEETS
642	11T	CARROLL	79
SHEET NO.		56	
STA.		TO STA.	
FED. ROAD DIST. NO.		ILLINOIS FED. AID PROJECT	



**GENERAL NOTES**

A WITNESS MARKER SHALL BE INSTALLED WITHIN 1' OF ALL PERMANENT SURVEY MARKERS TYPE II EXCEPT IN AREAS WHERE THE MARKER IS IN THE SIDEWALK. THIS WORK WILL BE INCLUDED TO THE CONTRACT UNIT PRICE PER EACH FOR PERMANENT SURVEY MARKERS, TYPE II.

# PERMANENT SURVEY MARKERS, TYPE II



BRASS OR ALUMINUM TABLET

DETAIL A

CAST-IN-PLACE MARKER

ALL DIMENSIONS ARE IN MILLIMETERS (INCHES) UNLESS OTHERWISE NOTED.

PLOT DATE = Wed Oct 18 15:25:32 2007  
FILE NAME = c:\projects\12306085\c8f858e1.dgn  
PLOT SCALE = 1:1  
REFERENCE = AREA