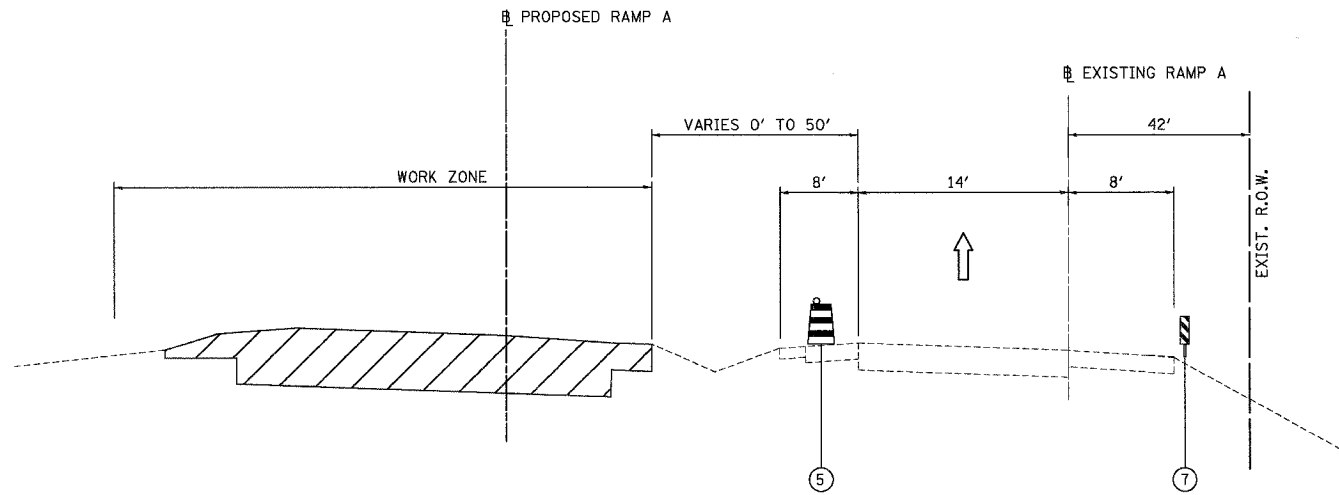


F.A.I. RTE.	SECTION	COUNTY	TOTAL SHEETS	SHEET NO.
80	(50-5) HBK-2	LASALLE	331	44
STA.	TO STA.			
FED. ROAD DIST. NO.	ILLINOIS	FED. AID PROJECT		

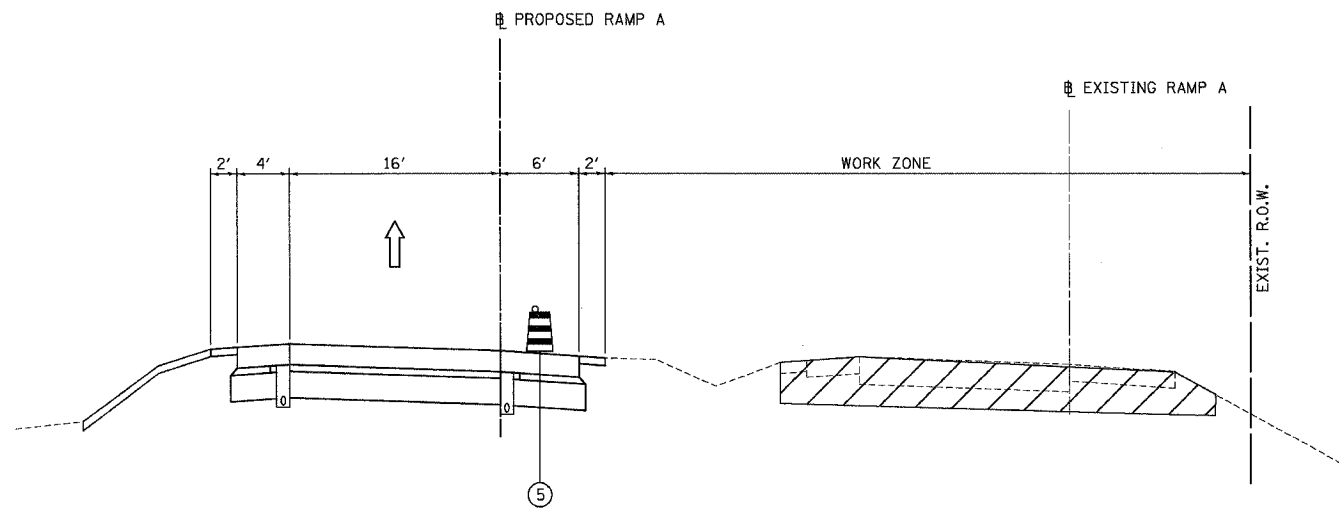
LEGEND:

- ① TEMPORARY PAVEMENT MARKING LINE, 4 INCHES (WHITE)
- ② TEMPORARY PAVEMENT MARKING LINE, 4 INCHES (DOUBLE YELLOW)
- ③ TEMPORARY PAVEMENT MARKING LINE, 4 INCHES (YELLOW)
- ④ TEMPORARY PAVEMENT MARKING LINE, SKIP-DASH, 4 INCHES (WHITE)
- ⑤ DRUM WITH STEADY BURNING LIGHT
- ⑥ TEMPORARY PAVEMENT
- ⑦ DOUBLE VERTICAL PANELS (BACK TO BACK) WITH BI-DIRECTIONAL STEADY BURNING LIGHTS
- ⑧ TEMPORARY CONCRETE BARRIER



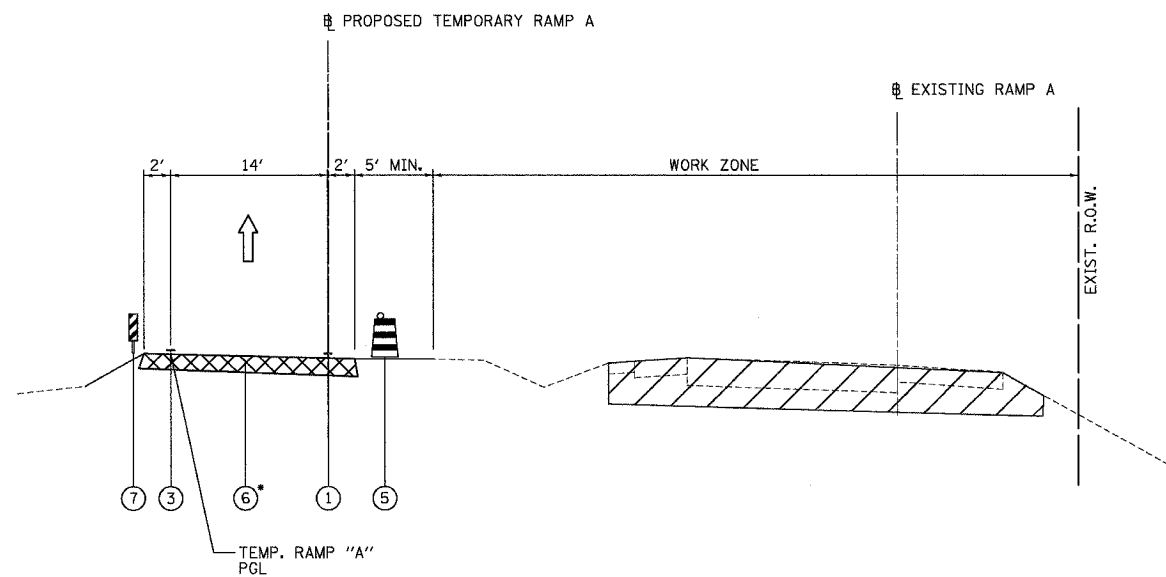
MARSEILLES ROAD RAMP A STAGE 2A

STA. 200+00.00 TO STA. 208+00.00



MARSEILLES ROAD RAMP A STAGE 2B

STA. 200+00.00 TO STA. 208+00.00



MARSEILLES ROAD RAMP A STAGE 2B

STA. 208+00.00 TO STA. 226+09.18
 *TEMPORARY RAMP STA. 206+21.31 TO STA. 828+90.92 (I-80)

*SEE DETAIL "A" ON SHEET MOT-02 FOR TEMPORARY PAVEMENT DESIGN

- WORK ZONE
- TEMPORARY PAVEMENT



REVISIONS	
NAME	DATE

ILLINOIS DEPARTMENT OF TRANSPORTATION
 MAINTENANCE OF TRAFFIC
 TYPICAL CROSS-SECTIONS
 MARSEILLES ROAD RAMP A

SCALE: 1"=50'
 DATE: 11/02/07

DRAWN BY: KM
 CHECKED BY: SE