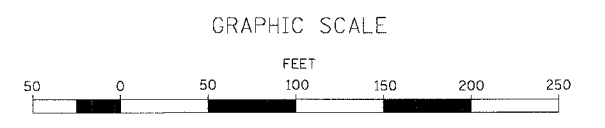
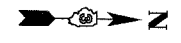
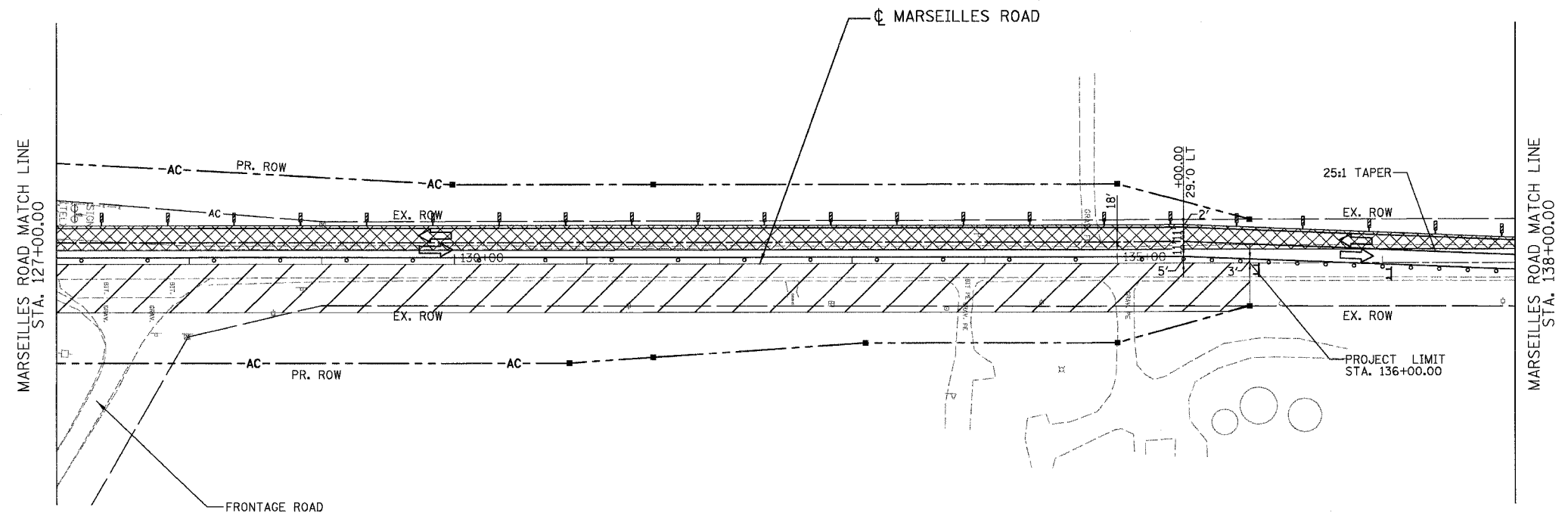
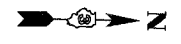
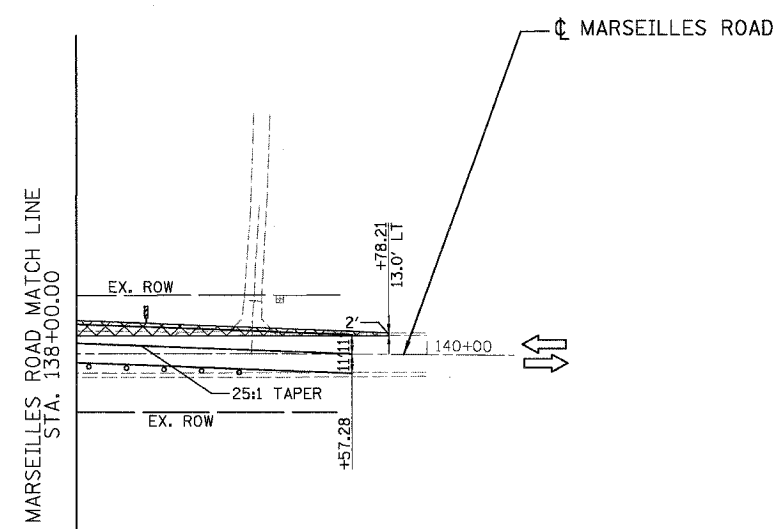


F.A.I. RTE.	SECTION	COUNTY	TOTAL SHEETS	SHEET NO.
80	(50-5) HBK-2	LASALLE	331	57
STA. 127+00.00		TO STA. 136+00.00		
FED. ROAD DIST. NO.		ILLINOIS	FED. AID PROJECT	



NOTES:
 1. ALL MAINTENANCE OF TRAFFIC SIGNS USED IN STAGE 1A TO REMAIN FOR STAGE 1B ALONG MARSEILLES ROAD.



- LEGEND**
- DRUMS WITH BI-DIRECTIONAL STEADY BURN LIGHTS @ 50' CENTERS, 25' CENTERS ALONG TAPERS AND 12' CENTERS ALONG RADIUS RETURNS
 - ⇄ TRAFFIC DIRECTION
 - ⦶ DOUBLE VERTICAL PANELS (BACK TO BACK) WITH BI-DIRECTIONAL STEADY BURNING LIGHTS
 - ⌋ TYPE III BARRICADES WITH FLASHING LIGHTS
 - ▨ WORK ZONE
 - ▩ TEMPORARY PAVEMENT
 - ▬ ARROW BOARD
 - ▬ TEMP. CONCRETE BARRIER



REVISIONS	
NAME	DATE

ILLINOIS DEPARTMENT OF TRANSPORTATION
**MAINTENANCE OF TRAFFIC
 STAGE 1B**
 STA. 127+00.00 TO STA. 136+00.00
 SCALE: 1"=50'
 DATE: 11/02/07
 DRAWN BY: KM
 CHECKED BY: SE