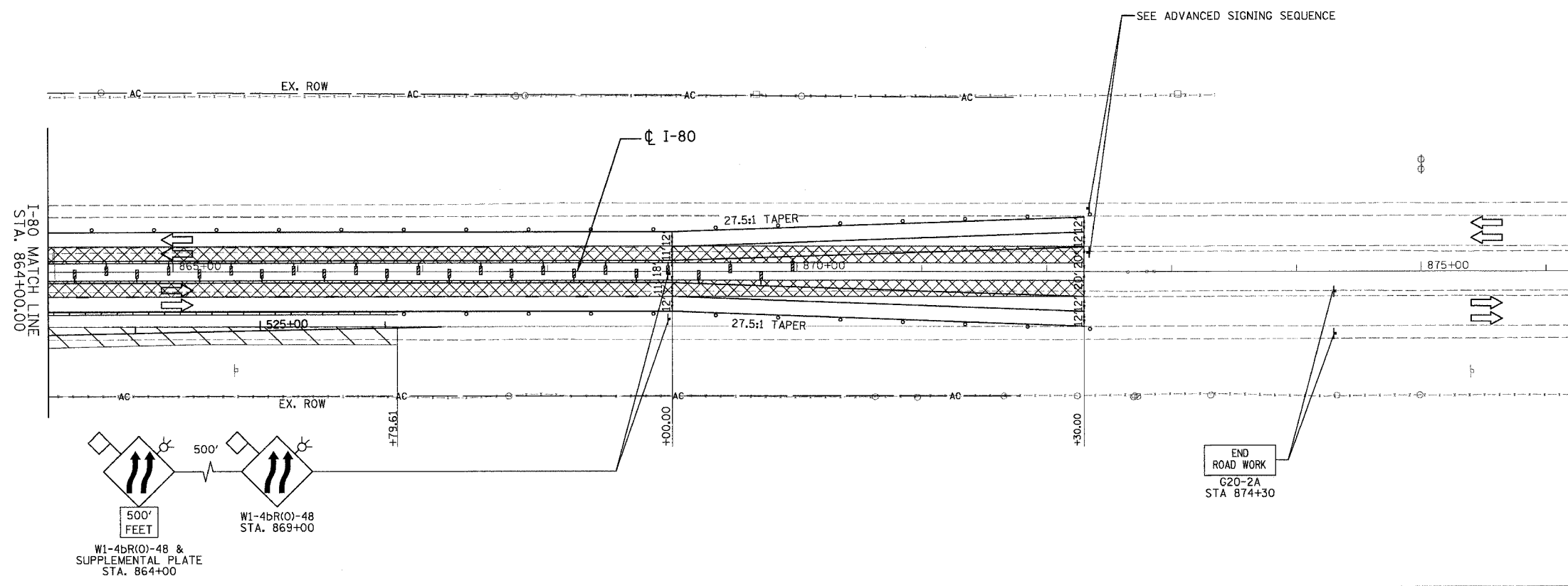
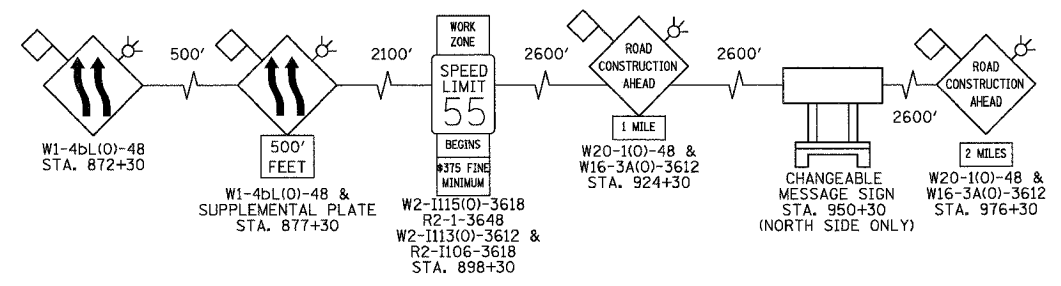


F.A.I. RTE.	SECTION	COUNTY	TOTAL SHEETS	SHEET NO.
80	(50-5) HBK-2	LASALLE	331	61
STA. 864+00.00		TO STA. 870+00.00		
FED. ROAD DIST. NO.		ILLINOIS	FED. AID PROJECT	



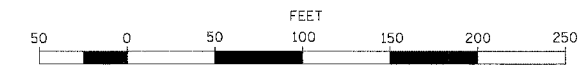
ADVANCED SIGNING SEQUENCE



LEGEND

- DRUMS WITH BI-DIRECTIONAL STEADY BURN LIGHTS @ 50' CENTERS, 25' CENTERS ALONG TAPERS AND 12' CENTERS ALONG RADIUS RETURNS
- ➔ TRAFFIC DIRECTION
- ▬ DOUBLE VERTICAL PANELS (BACK TO BACK) WITH BI-DIRECTIONAL STEADY BURNING LIGHTS
- ⊥ TYPE III BARRICADES WITH FLASHING LIGHTS
- ▨ WORK ZONE
- ▩ TEMPORARY PAVEMENT
- ▬ ARROW BOARD
- ▬ TEMP. CONCRETE BARRIER

GRAPHIC SCALE



REVISIONS	
NAME	DATE

ILLINOIS DEPARTMENT OF TRANSPORTATION
MAINTENANCE OF TRAFFIC
STAGE 1B
 I-80 STA. 864+00 TO STA. 870+00
 SCALE: 1"=50'
 DATE: 11/02/07
 DRAWN BY: KM
 CHECKED BY: SE

