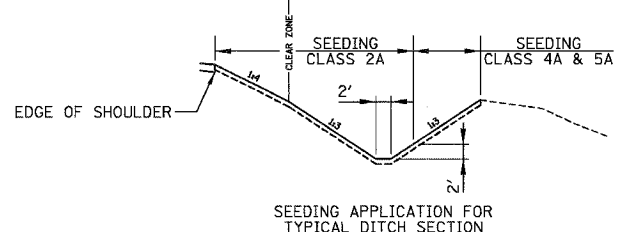


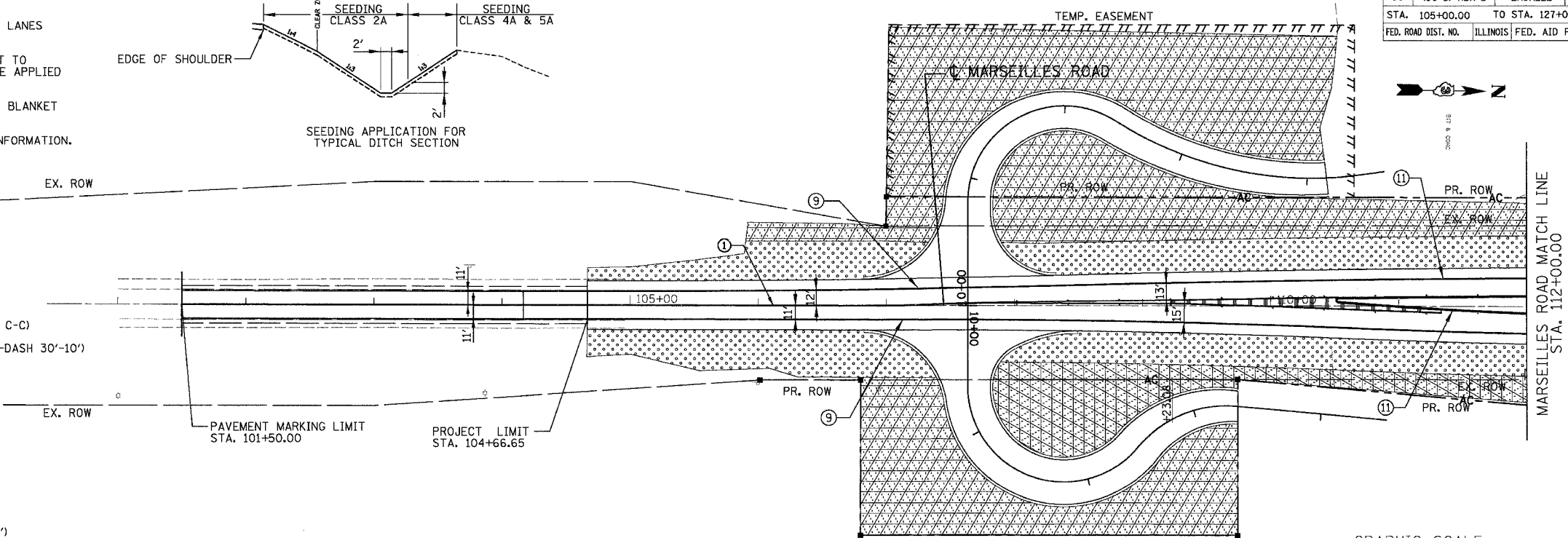
F.A.I. RTE.	SECTION	COUNTY	TOTAL SHEETS	SHEET NO.
80	(50-5) HBK-2	LASALLE	331	105
STA. 105+00.00 TO STA. 127+00.00		ILLINOIS FED. AID PROJECT		

- NOTES:
1. INTERSTATE WHITE SKIP MARKINGS, SEPARATING PASSING AND DRIVING LANES SHALL BE 6", INLAID PREFORMED PLASTIC TYPE B TAPE.
  2. 3 FOOT STRIP OF EROSION CONTROL BLANKET SHALL BE APPLIED NEXT TO ANY OUTSIDE SHOULDER IN AREAS THAT ARE SEEDED. IT WILL ALSO BE APPLIED TO AREAS WITH 3:1 OR STEEPER SIDE SLOPES.
  3. ALL AREAS THAT ARE SEEDED AND DO NOT REQUIRE EROSION CONTROL BLANKET WILL USE MULCH, METHOD 2.
  4. SEE I-80 & RAMP PMK SHEETS FOR ADDITIONAL PAVEMENT MARKING INFORMATION.

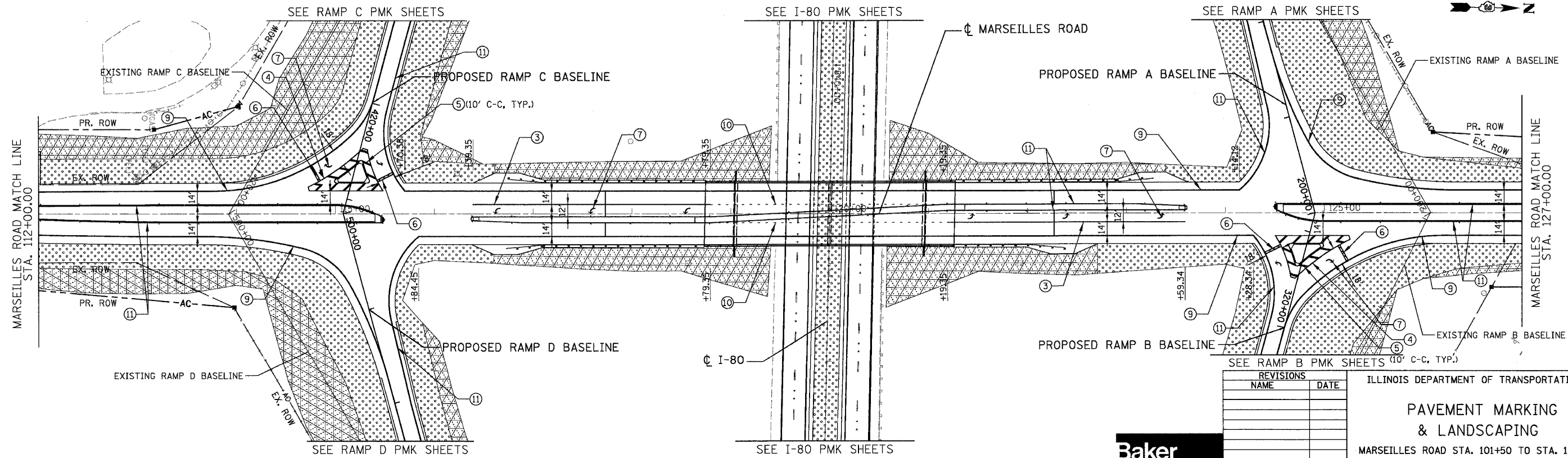
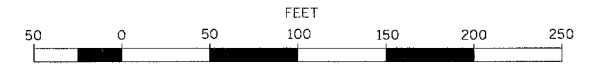


LEGEND

- ① POLYUREA PAVEMENT MARKING TYPE II - LINE 4" (DOUBLE YELLOW @ 11" C-C)
  - ② PREFORMED PLASTIC PAVEMENT MARKING, TYPE B - LINE 6" (WHITE SKIP-DASH 30'-10')
  - ③ POLYUREA PAVEMENT MARKING TYPE II - LINE 6" (WHITE)
  - ④ POLYUREA PAVEMENT MARKING TYPE II - LINE 8" (WHITE)
  - ⑤ POLYUREA PAVEMENT MARKING TYPE II - LINE 12" (WHITE)
  - ⑥ POLYUREA PAVEMENT MARKING TYPE II - LINE 24" (WHITE)
  - ⑦ POLYUREA PAVEMENT MARKING TYPE II - LETTERS AND SYMBOLS (WHITE)
  - ⑧ NOT USED
  - ⑨ POLYUREA PAVEMENT MARKING TYPE II - LINE 4" (WHITE)
  - ⑩ POLYUREA PAVEMENT MARKING TYPE II - LINE 4" (WHITE SKIP-DASH 6'-2')
  - ⑪ POLYUREA PAVEMENT MARKING TYPE II - LINE 4" (YELLOW)
- SEEDING, CLASS 2A  
 SEEDING, CLASS 4A & 5A  
 RAISED REFLECTIVE PAVEMENT MARKERS



GRAPHIC SCALE



REVISIONS	
NAME	DATE

ILLINOIS DEPARTMENT OF TRANSPORTATION

**PAVEMENT MARKING & LANDSCAPING**

MARSELLES ROAD STA. 101+50 TO STA. 127+00

SCALE: 1"=50'

DATE: 11/02/07

DRAWN BY: KM  
CHECKED BY: SE

