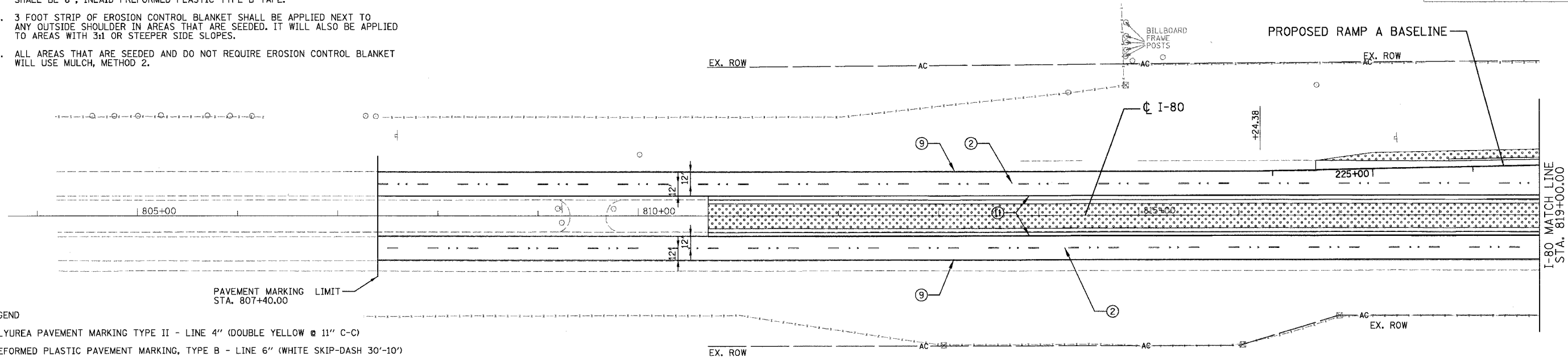


F.A.I. RTE.	SECTION	COUNTY	TOTAL SHEETS	SHEET NO.
80	(50-5) HBK-2	LASALLE	331	111
STA. 809+70.00 TO STA. 834+00.00				
FED. ROAD DIST. NO. ILLINOIS FED. AID PROJECT				

NOTES:

1. INTERSTATE WHITE SKIP MARKINGS, SEPARATING PASSING AND DRIVING LANES SHALL BE 6", INLAID PREFORMED PLASTIC TYPE B TAPE.
2. 3 FOOT STRIP OF EROSION CONTROL BLANKET SHALL BE APPLIED NEXT TO ANY OUTSIDE SHOULDER IN AREAS THAT ARE SEEDED. IT WILL ALSO BE APPLIED TO AREAS WITH 3:1 OR STEEPER SIDE SLOPES.
3. ALL AREAS THAT ARE SEEDED AND DO NOT REQUIRE EROSION CONTROL BLANKET WILL USE MULCH, METHOD 2.

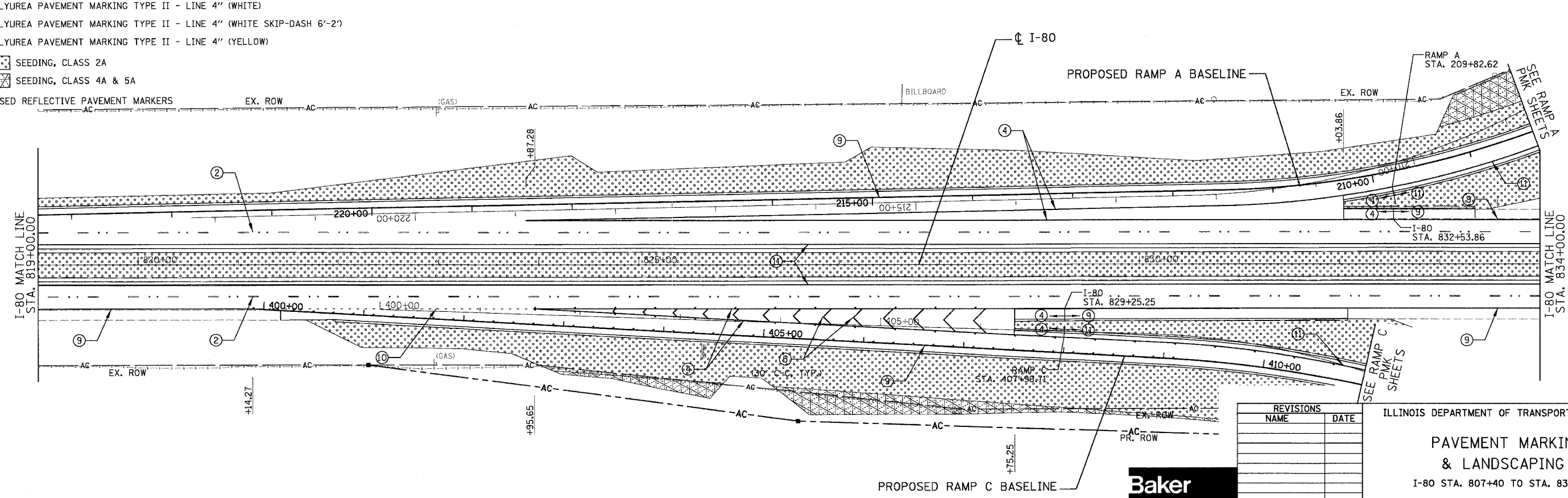
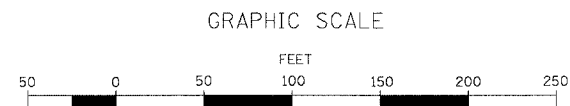


LEGEND

- ① POLYUREA PAVEMENT MARKING TYPE II - LINE 4" (DOUBLE YELLOW @ 11" C-C)
- ② PREFORMED PLASTIC PAVEMENT MARKING, TYPE B - LINE 6" (WHITE SKIP-DASH 30'-10')
- ③ POLYUREA PAVEMENT MARKING TYPE II - LINE 6" (WHITE)
- ④ POLYUREA PAVEMENT MARKING TYPE II - LINE 8" (WHITE)
- ⑤ POLYUREA PAVEMENT MARKING TYPE II - LINE 12" (WHITE)
- ⑥ POLYUREA PAVEMENT MARKING TYPE II - LINE 24" (WHITE)
- ⑦ POLYUREA PAVEMENT MARKING TYPE II - LETTERS AND SYMBOLS (WHITE)
- ⑧ NOT USED
- ⑨ POLYUREA PAVEMENT MARKING TYPE II - LINE 4" (WHITE)
- ⑩ POLYUREA PAVEMENT MARKING TYPE II - LINE 4" (WHITE SKIP-DASH 6'-2')
- ⑪ POLYUREA PAVEMENT MARKING TYPE II - LINE 4" (YELLOW)

- SEEDING, CLASS 2A
- SEEDING, CLASS 4A & 5A

▶ RAISED REFLECTIVE PAVEMENT MARKERS



REVISIONS	
NAME	DATE

ILLINOIS DEPARTMENT OF TRANSPORTATION  
**PAVEMENT MARKING & LANDSCAPING**  
 I-80 STA. 807+40 TO STA. 834+00  
 SCALE: 1"=50'  
 DATE: 11/02/07  
 DRAWN BY: KM  
 CHECKED BY: SE

