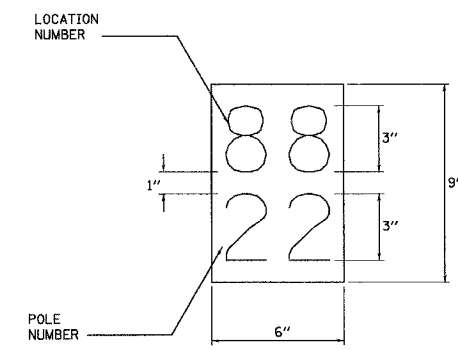


F.A.I. RTE.	SECTION	COUNTY	TOTAL SHEETS	SHEET NO.
80	(50-5)HBK-2	LASALLE	331	120
STA.		TO STA.		
FED. ROAD DIST. NO.		ILLINOIS FED. AID PROJECT		

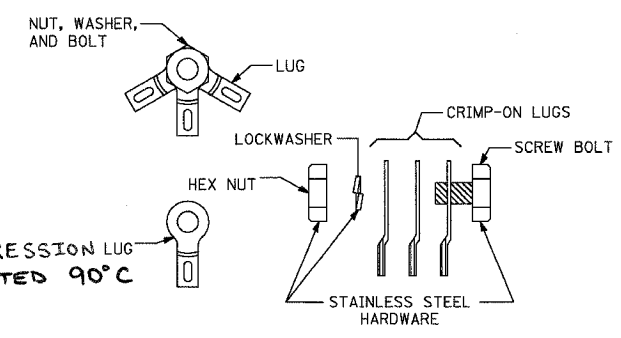
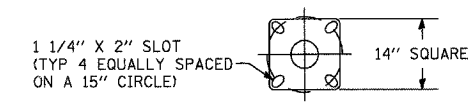
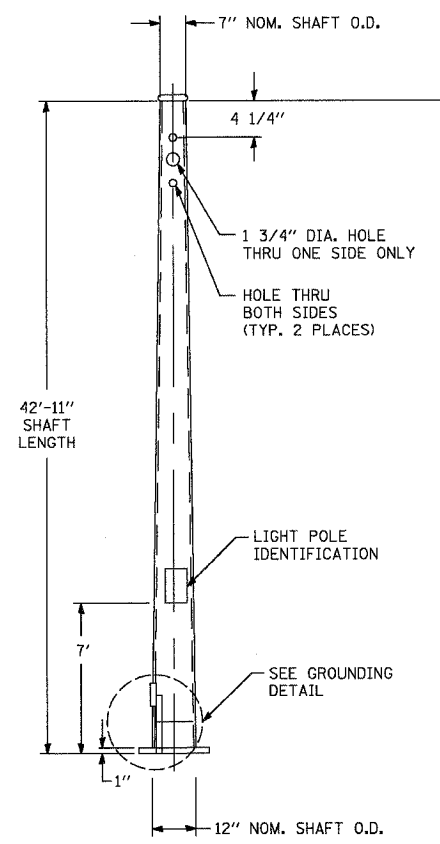
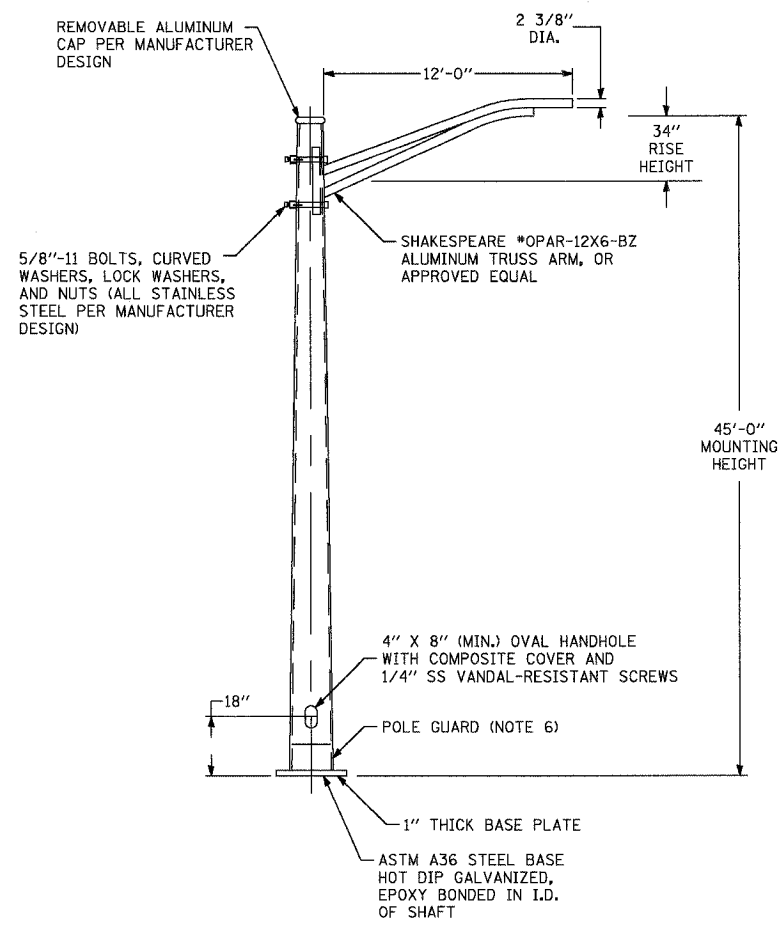
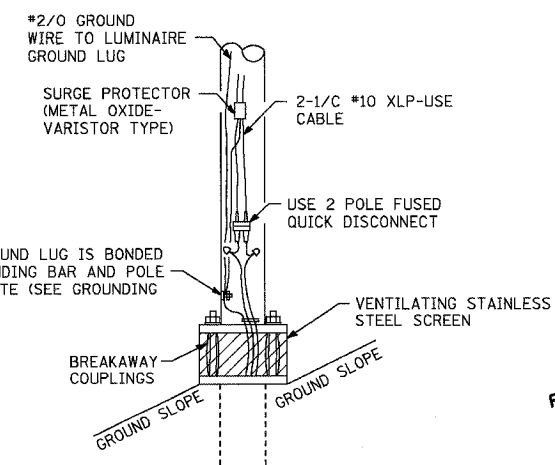
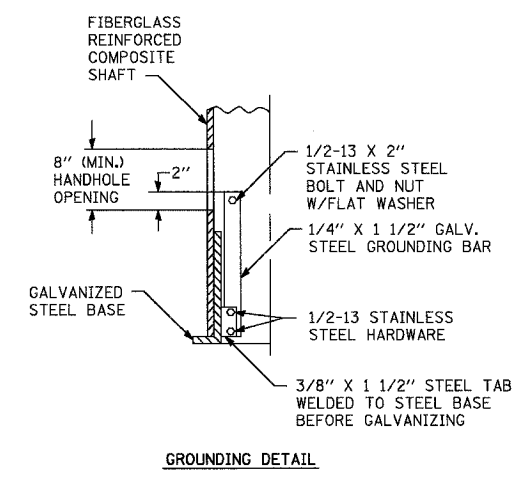
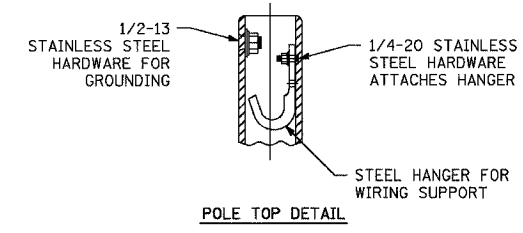
LIGHT POLE IDENTIFICATION:



THE CONTRACTOR SHALL FURNISH AND INSTALL A LIGHT POLE IDENTIFICATION ON EACH LIGHT POLE PER SECTION 1069.06 OF THE S.S., AS SHOWN ABOVE, INCIDENTAL TO THE RESPECTIVE LIGHT POLE PAY ITEM. THE NUMERALS SHALL BE 3" HIGH SERIES "D", BLACK, SCREENED ON SILVER-WHITE TYPE B PRESSURE SENSITIVE REFLECTIVE SHEETING CONFORMING TO THE REQUIREMENTS OF SECTION T602.01 OF THE STANDARD SPECIFICATIONS FOR TRAFFIC CONTROL ITEMS. THE NUMERALS SHALL CONFORM TO THE FHWA "STANDARD ALPHABETS FOR HIGHWAY SIGNS".

THE LIGHT POLE IDENTIFICATION SHALL BE APPLIED TO SIGN BASE MATERIAL AS SPECIFIED IN SECTION 1085.05 OF THE SUPPLEMENTAL SPECIFICATIONS, APPROXIMATELY 7' ABOVE THE ADJACENT PAVEMENT GRADE VISIBLE TO APPROACHING TRAFFIC IN ACCORDANCE WITH HIGHWAY STANDARD 2319.

I-80 & CH15 (MARSEILLES) LOCATION NUMBER 88, POLE NUMBER 1-34



NOTES:

- 1 - FINISH: SMOOTH
- 2 - COLOR: DARK BRONZE (HIGH UV RESISTANCE POLYURETHANE FINISH)
- 3 - MATERIAL: FIBERGLASS REINFORCED COMPOSITE (65% GLASS BY WEIGHT)
- 4 - DESIGN, MATERIALS, AND FINISH (SEE IDOT SPECIFICATIONS)
- 5 - 110 MPH=Design Wind Speed PER CURRENT AASHTO ~~with~~ 50 Year MINIMUM DESIGN LIFE
- 6 - PROVIDE POLE GUARD, SHAKESPEARE *PG12.5-Y5H OR APPROVED EQUAL, MOUNTED ABOVE POLE BASE PLATE
- 7 - THE GROUND WIRES INSIDE OF THE POLE SHALL BE INCLUDED IN THE COST OF "WIRE IN THE POLE", WHICH IS INCIDENTAL TO THE LUMINAIRE

E-7

REVISIONS	
NAME	DATE
RG	1/17/07

ILLINOIS DEPARTMENT OF TRANSPORTATION
**STANDARD DETAILS
COMPOSITE POLE**
SCALE: NONE
DATE 11/02/07
DRAWN BY VG
CHECKED BY PV

SINGH 300 N. ADAMS ST. CHICAGO, IL 60608
SINGH & ASSOCIATES, INC. CONSULTING ENGINEERS
TEL: (312) 829-0240 FAX: (312) 829-8449

Baker
Baker Engineering, Inc.