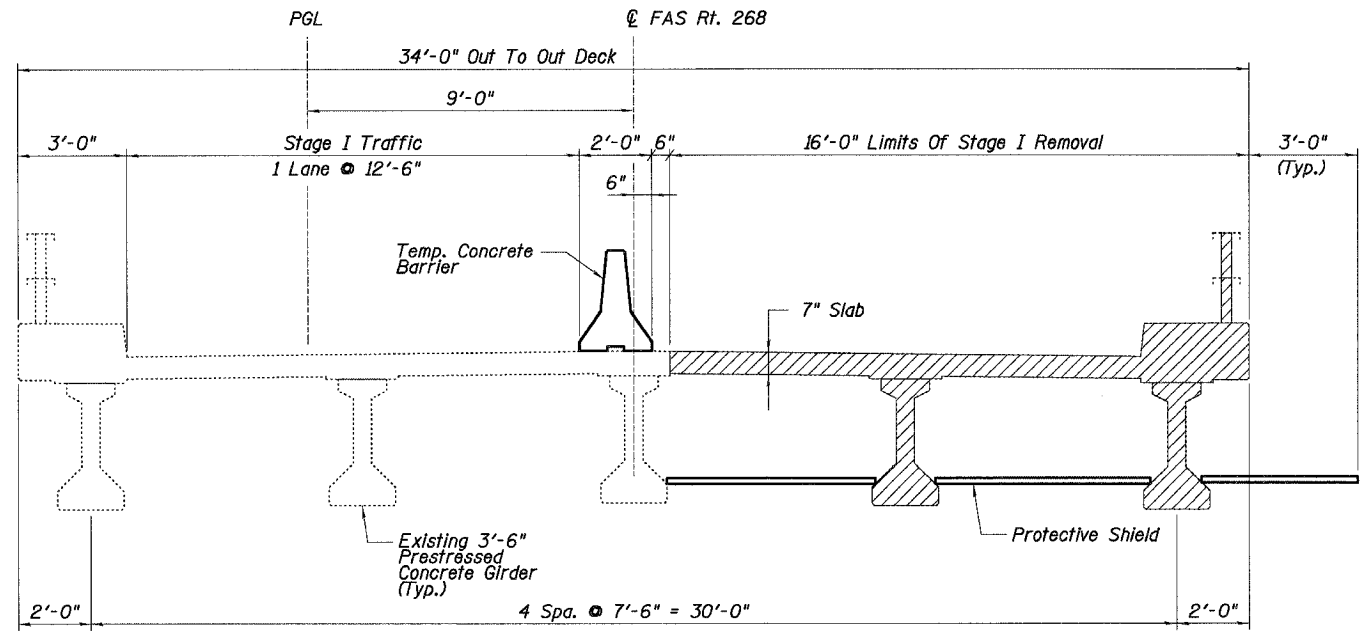


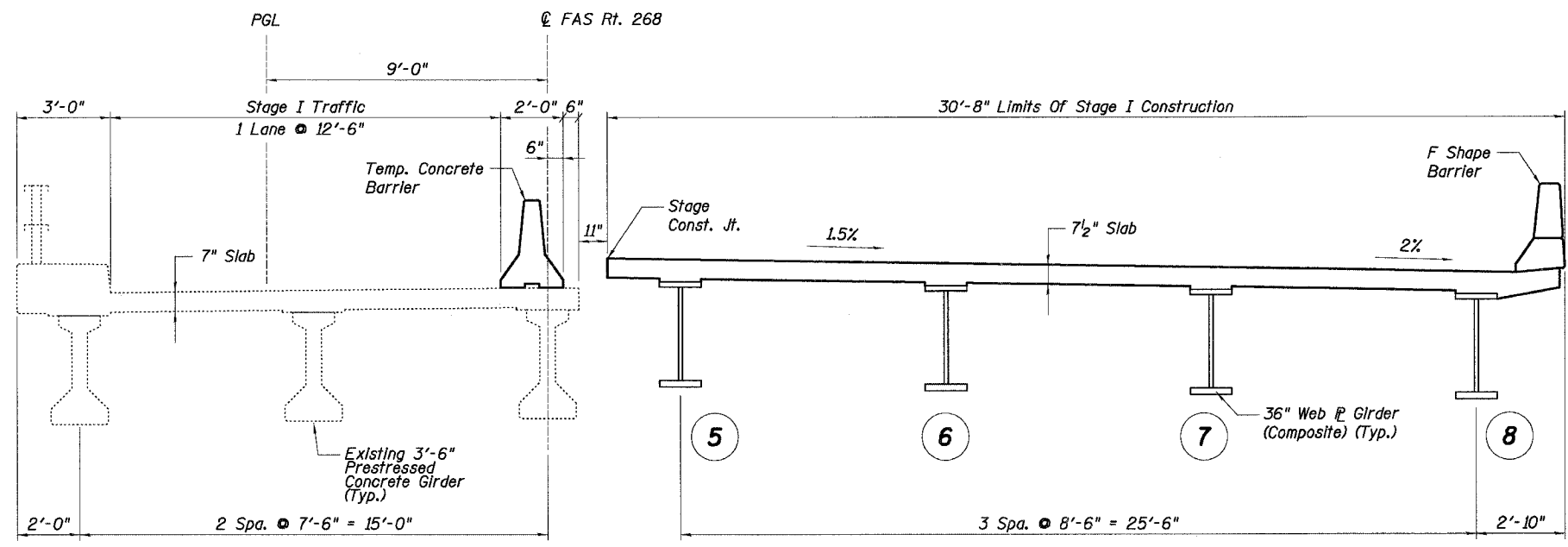
F.A.I. RTE.	SECTION	COUNTY	TOTAL SHEETS	SHEET NO.
80	50-5HBK-2	LASALLE	331	131
STA. 105+00		TO STA. 136+00		
FED. ROAD DIST. NO. 7 ILLINOIS FED. AID PROJECT				
SHEET NO. 53 OF 522				



**STAGE I REMOVAL**  
(Looking Upstation)

**NOTES:**

1. Work this sheet with Construction Staging II, sheet S4.
2. See roadway plans for Temporary Concrete Barrier quantities.
3. See sheet S5 for Temporary Concrete Barrier details.
4. See sheet S1 for limits of Protective Shield.



**STAGE I CONSTRUCTION**  
(Looking Upstation)

**LEGEND:**

- Existing
- Removal Of Existing

REVISIONS	
NAME	DATE

ILLINOIS DEPARTMENT OF TRANSPORTATION  
**CONSTRUCTION STAGING I**  
 MARSEILLES ROAD (FAS Rt. 268)  
 OVER I-80 (F.A.I. ROUTE 80)  
 STRUCTURE NUMBER 050-0245  
 LA SALLE COUNTY SECTION 50-5HBK-2  
 STATION 120+00.08 DESIGNED: KZ DRAWN: RL  
 DATE: 11/02/07 CHECKED: JD CHECKED: KZ



h:\107496\3.0 delivarables\3.0 structure\Drawings\Final\80\_xsec.dgn 11/2/2007