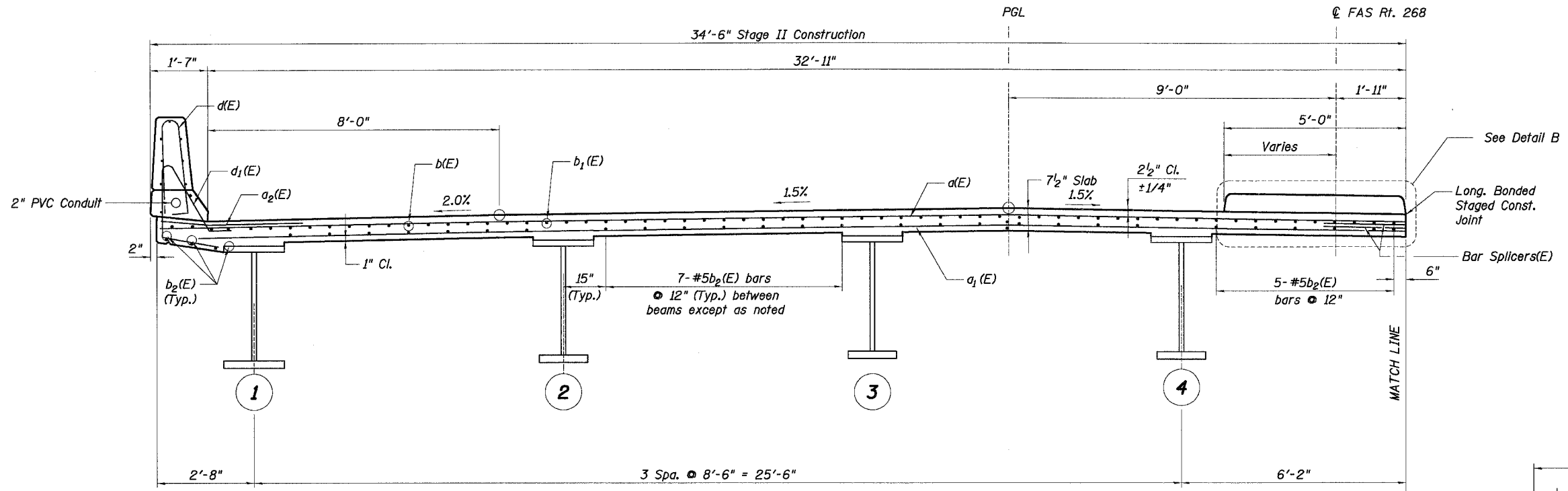
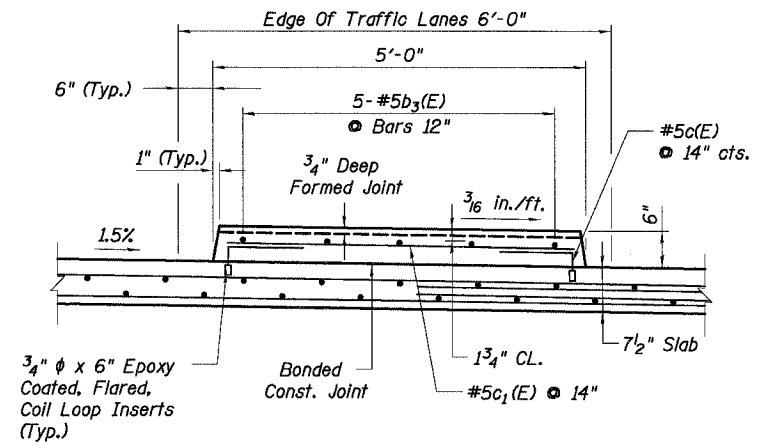


F.A.I. RTE.	SECTION	COUNTY	TOTAL SHEETS	SHEET NO.
80	50-SHBK-2	LASALLE	331	138
STA. 105+00		TO STA. 136+00		
FED. ROAD DIST. NO. 7		ILLINOIS FED. AID PROJECT		
SHEET NO. S10 OF S22				



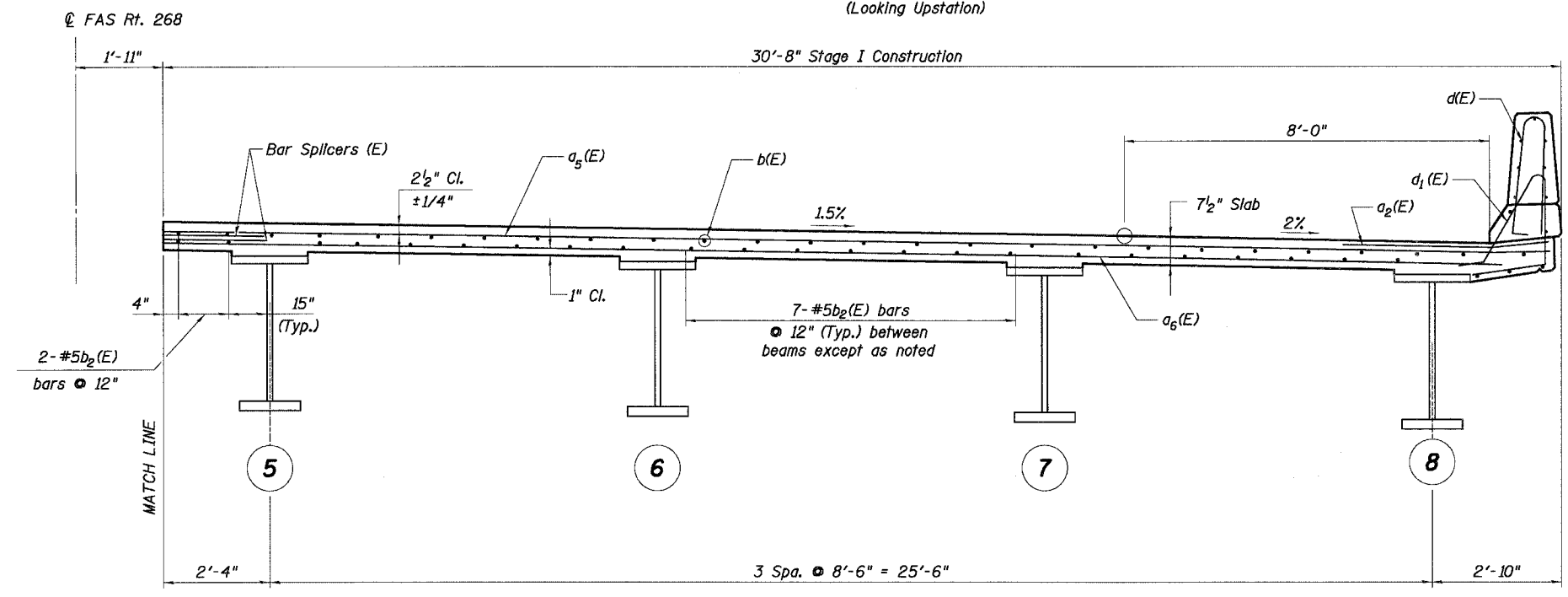
NEAR PIER
(Looking Upstation)



DETAIL B

Notes:

1. Work this sheet with Sheets S9 & S11.
2. All concrete edges shall have 3/4" chamfer.
3. The PVC conduit encased in the parapet shall have a minimum clearance of 1" from all reinforcement. See lighting plans for additional details.
4. The cost of Epoxy Coated, Flared, Coil Loop Inserts is included with "Reinforcement Bars, Epoxy Coated"



NEAR MIDSPAN
(Looking Upstation)

REVISIONS	
NAME	DATE

ILLINOIS DEPARTMENT OF TRANSPORTATION
DECK CROSS SECTION
 MARSEILLES ROAD (FAS Rt. 268)
 OVER I-80 (F.A.I. ROUTE 80)
 STRUCTURE NUMBER 050-0245
 LA SALLE COUNTY SECTION 50-SHBK-2
 STATION 120+00.08 DESIGNED: JT DRAWN: RL
 DATE: 11/02/07 CHECKED: KZ CHECKED: KZ



h:\07496\3.0 deliverables\3.3 structure\Drawings\Final\80_PXS_deck.dgn
 11/5/2007