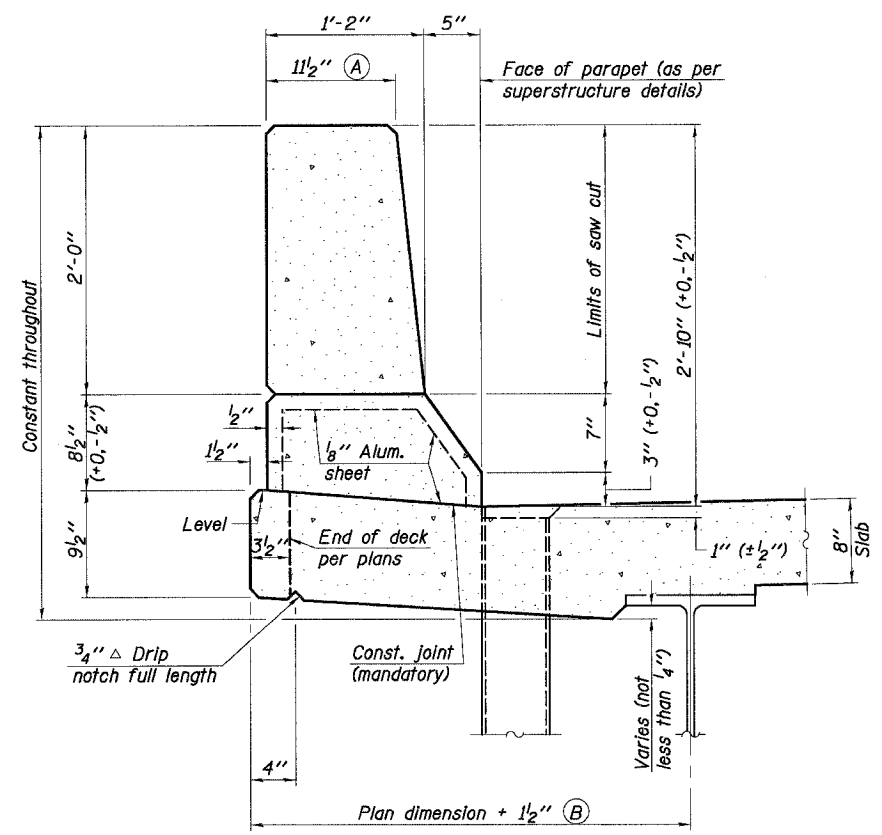
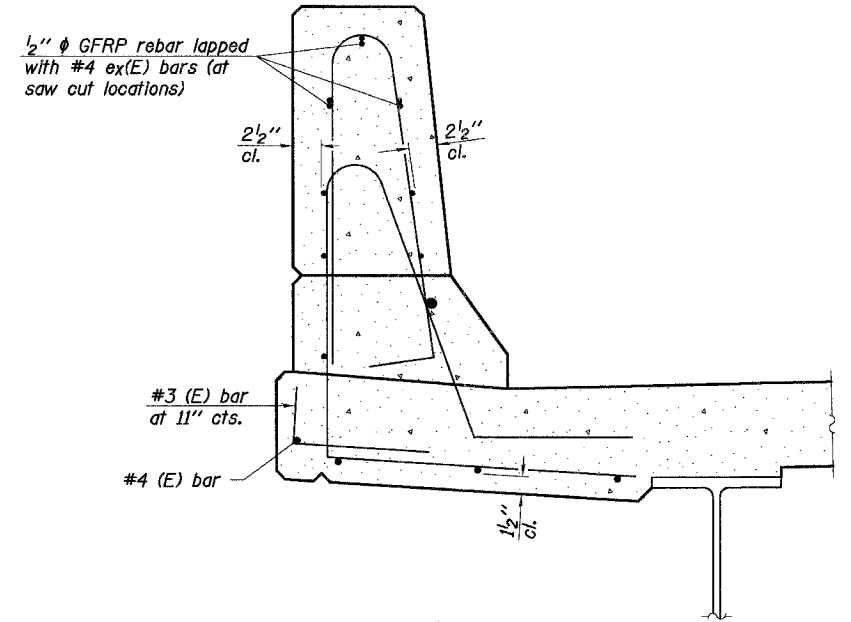


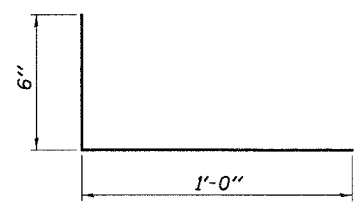
F.A.I. RTE.	SECTION	COUNTY	TOTAL SHEETS	SHEET NO.
80	50-SHBK-2	LASALLE	331	139a
STA. 105+00		TO STA. 136+00		
FED. ROAD DIST. NO. 7 ILLINOIS FED. AID PROJECT				
SHEET NO. S11g OF S22				



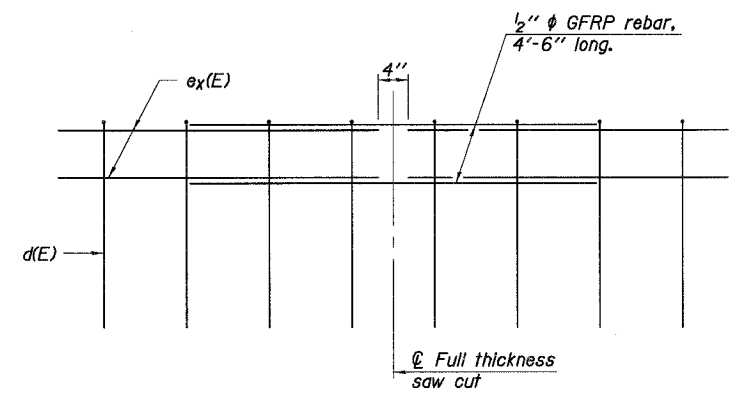
**SECTION**  
(Showing dimensions)



**SECTION**  
(Showing reinforcement clearances for slip forming and additional reinforcement bars)



**#3 (E) BAR**



**GFRP REBAR STIFFENING DETAIL**  
(Place as shown in parapet section at each parapet joint location.)

REVISIONS	
NAME	DATE

ILLINOIS DEPARTMENT OF TRANSPORTATION  
**CONCRETE PARAPET  
 SLIPFORMING OPTION**  
 MARSEILLES ROAD (FAS Rt. 268)  
 OVER I-80 (F.A.I. ROUTE 80)  
 STRUCTURE NUMBER 050-0245  
 SECTION 50-SHBK-2  
 LA SALLE COUNTY  
 STATION 120+00.08  
 DATE: 11/02/07  
 DESIGNED: DM  
 CHECKED: KZ  
 DRAWN: RL  
 CHECKED: KZ

**Baker**  
 Baker Engineering, Inc.

\\ch2\vol2\projects\hcb\projects\07496\3.0 deliverables\3.3 structure\Drawings\Final\Parapet Slipforming.dgn 11/7/2007