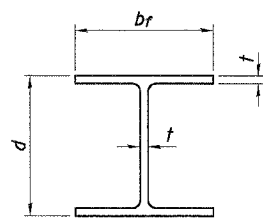
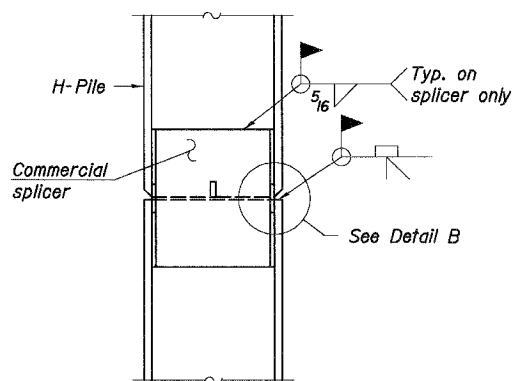


F.A.I. RTE.	SECTION	COUNTY	TOTAL SHEETS	SHEET NO.
80	50-SHBK-2	LASALLE	331	146a
STA. 105+00		TO STA. 136+00		
FED. ROAD DIST. NO. 7		ILLINOIS FED. AID PROJECT		
SHEET NO. S18a OF S22				

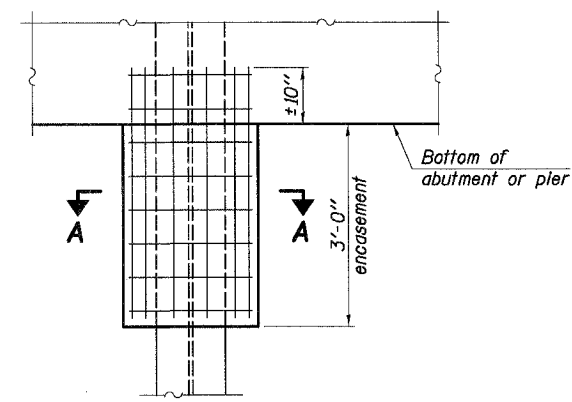


STEEL PILE TABLE

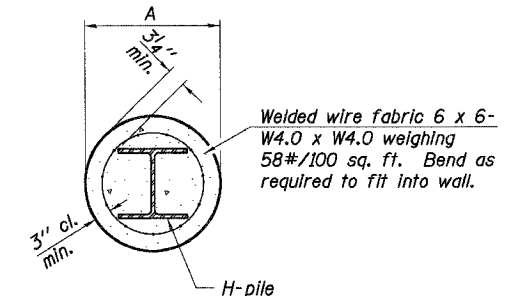
Designation	Depth d	Flange width bf	Web and Flange thickness t	Encasement diameter A
HP 14x117	14 1/4"	14 7/8"	5/16"	30"
x102	14"	14 3/4"	1/16"	30"
x89	13 7/8"	14 3/4"	5/8"	30"
x73	13 5/8"	14 5/8"	1/2"	30"
HP 12x84	12 1/4"	12 1/4"	1/16"	24"
x74	12 1/8"	12 1/4"	5/8"	24"
x63	12"	12 1/8"	1/2"	24"
x53	11 3/4"	12"	7/16"	24"
HP 10x57	10"	10 1/4"	9/16"	24"
x42	9 3/4"	10 1/8"	7/16"	24"
HP 8x36	8"	8 1/8"	7/16"	18"



ELEVATION



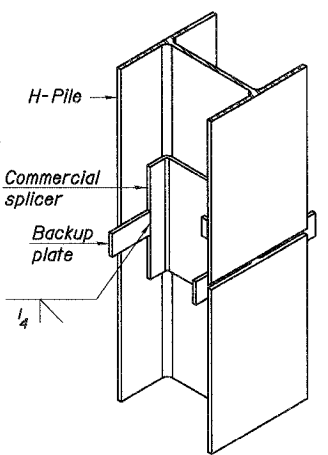
ELEVATION



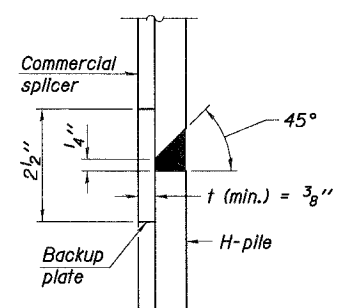
SECTION A-A

Note: Forms for encasement may be omitted when soil conditions permit.

PILE ENCASEMENT

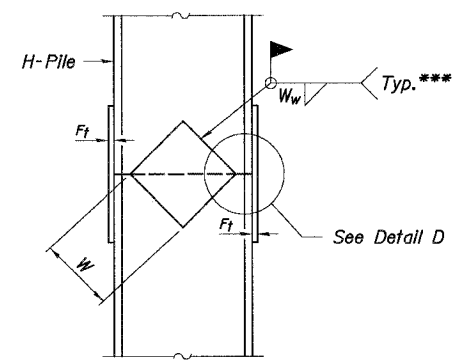


ISOMETRIC VIEW

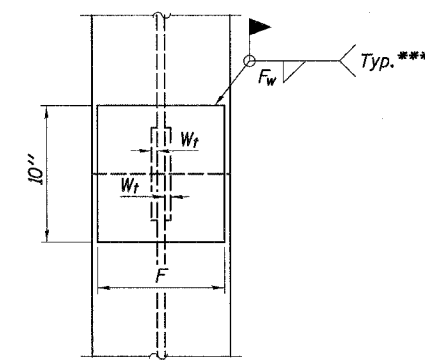


DETAIL "B"

WELDED COMMERCIAL SPLICE



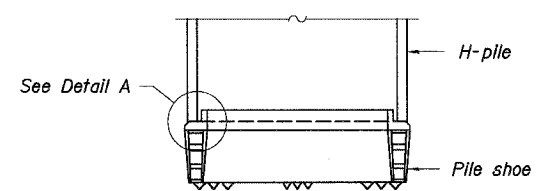
ELEVATION



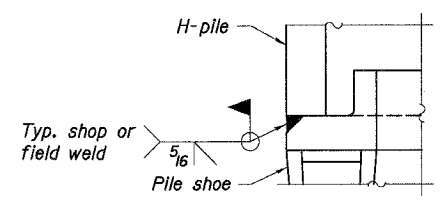
END VIEW

Designation	F	Ft	Fw	W	Wt	Ww
HP 14x117	12 1/2"	1"	7/8"	7 3/4"	5 1/2"	1/2"
x102	12 1/2"	7/8"	3/4"	7 3/4"	5 1/2"	1/2"
x89	12 1/2"	3/4"	1/16"	7 3/4"	5 1/2"	1/2"
x73	12 1/2"	5/8"	9/16"	7 3/4"	5 1/2"	1/2"
HP 12x84	10"	7/8"	1/16"	6 1/2"	5 1/2"	1/2"
x74	10"	7/8"	1/16"	6 1/2"	5 1/2"	1/2"
x63	10"	5/8"	1/2"	6 1/2"	1/2"	3/8"
x53	10"	5/8"	1/2"	6 1/2"	1/2"	3/8"
HP 10x57	8"	3/4"	9/16"	5 1/4"	1/2"	3/8"
x42	8"	5/8"	9/16"	5 1/4"	1/2"	3/8"
HP 8x36	7"	5/8"	7/16"	4 1/4"	1/2"	3/8"

WELDED PLATE FIELD SPLICE

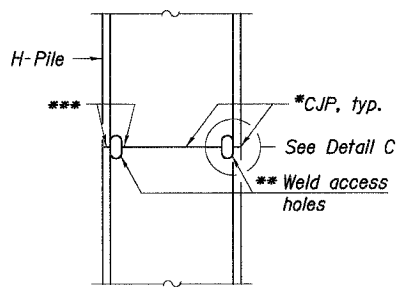


ELEVATION

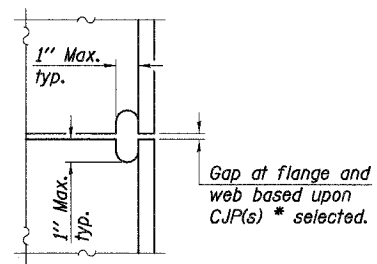


DETAIL A

H-PILE SHOE ATTACHMENT

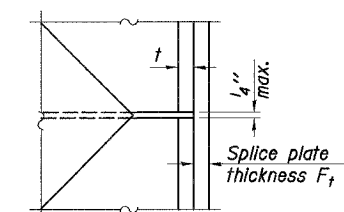


ELEVATION



DETAIL C

COMPLETE PENETRATION WELD SPLICE



DETAIL D

Note: The steel H-piles shall be according to AASHTO M270 Grade 50. Cost of Concrete Encasement and Welded Wire Fabric is included in "Furnishing Steel Piles HP10X42".

- * Use joint conforming to Figure 3.4 in AWS D1.1, Structure Welding Code - Steel.
- ** Preparation per Fig. 5.2 in AWS D1.1, Structure Welding Code - Steel.
- *** Interrupt welds 1/4" from end of each pile.

REVISIONS		ILLINOIS DEPARTMENT OF TRANSPORTATION	
NAME	DATE	<p align="center">STEEL H-PILES</p> <p>MARSELLES ROAD (FAS Rt. 268) OVER I-80 (F.A.I. ROUTE 80) STRUCTURE NUMBER 050-0245</p> <p>LA SALLE COUNTY SECTION 50-SHBK-2 STATION 120+00.08 DATE: 11/16/07</p>	
<p align="center">Baker</p> <p>Baker Engineering, Inc.</p>		DESIGNED: DM	DRAWN: RL
		CHECKED: KZ	CHECKED: KZ

h:\107496\3.0 deliverables\3.3 structure\Drawings\Final\Steel Pile.dgn 11/16/2007