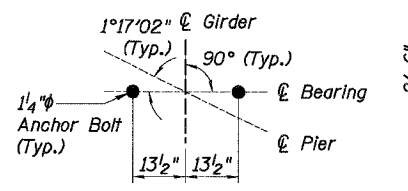


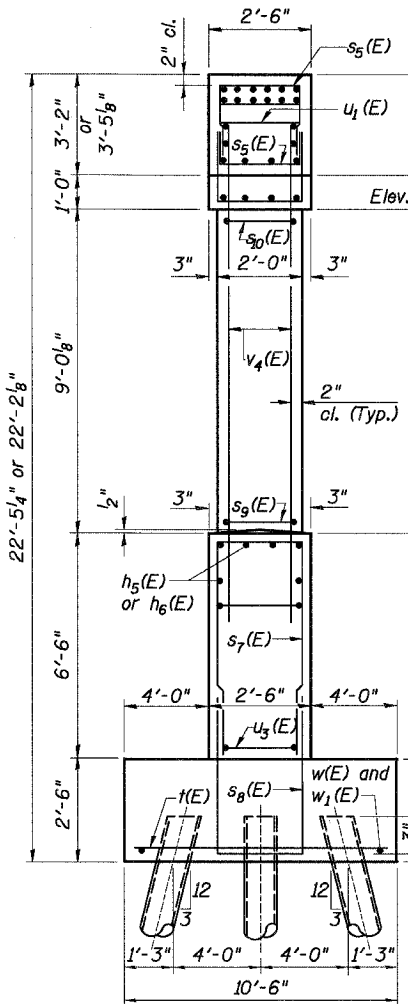
F.A.I. RTE.	SECTION	COUNTY	TOTAL SHEETS	SHEET NO.
80	50-SHBK-2	LASALLE	331	147
STA. 105+00		TO STA. 136+00		
FED. ROAD DIST. NO. 7 ILLINOIS FED. AID PROJECT				
SHEET NO. 519 OF 522				

NOTES:

1. Space reinforcement in cap to miss anchor bolts.
2. Pour steps monolithically with cap.
3. Space reinforcement in footing to miss piles.
4. The steel H-Piles shall be according to AASHTO M270, Grade 50.
5. Apply Concrete Sealer to all exposed Pier surfaces from top of pier cap to bottom of Crash Wall.



ANCHOR BOLT LAYOUT



END VIEW

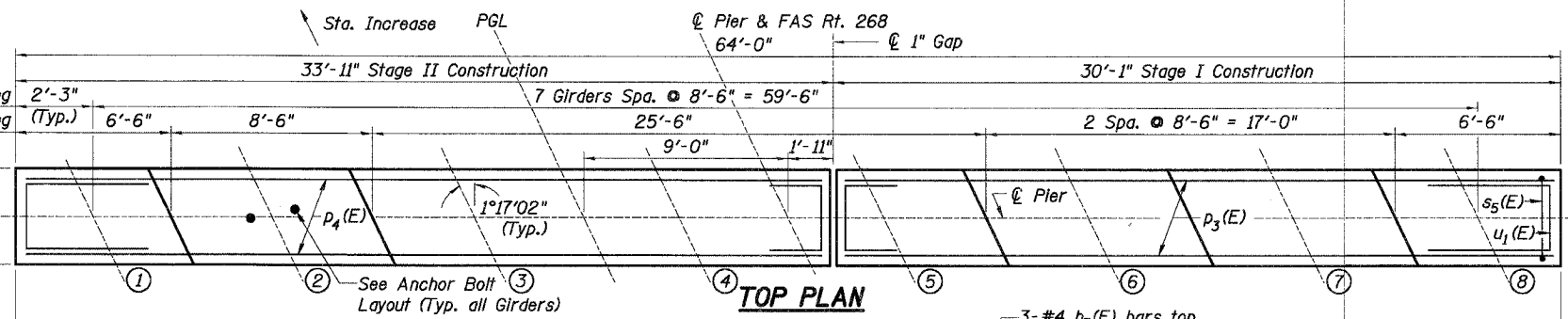
PILE DATA

Type: HP10x42
 Nominal Required Bearing: 315 kips
 Allowable Resistance Available: 105 kips
 Est. Length: 46'
 No. Required: 23
 Test Piles: 1

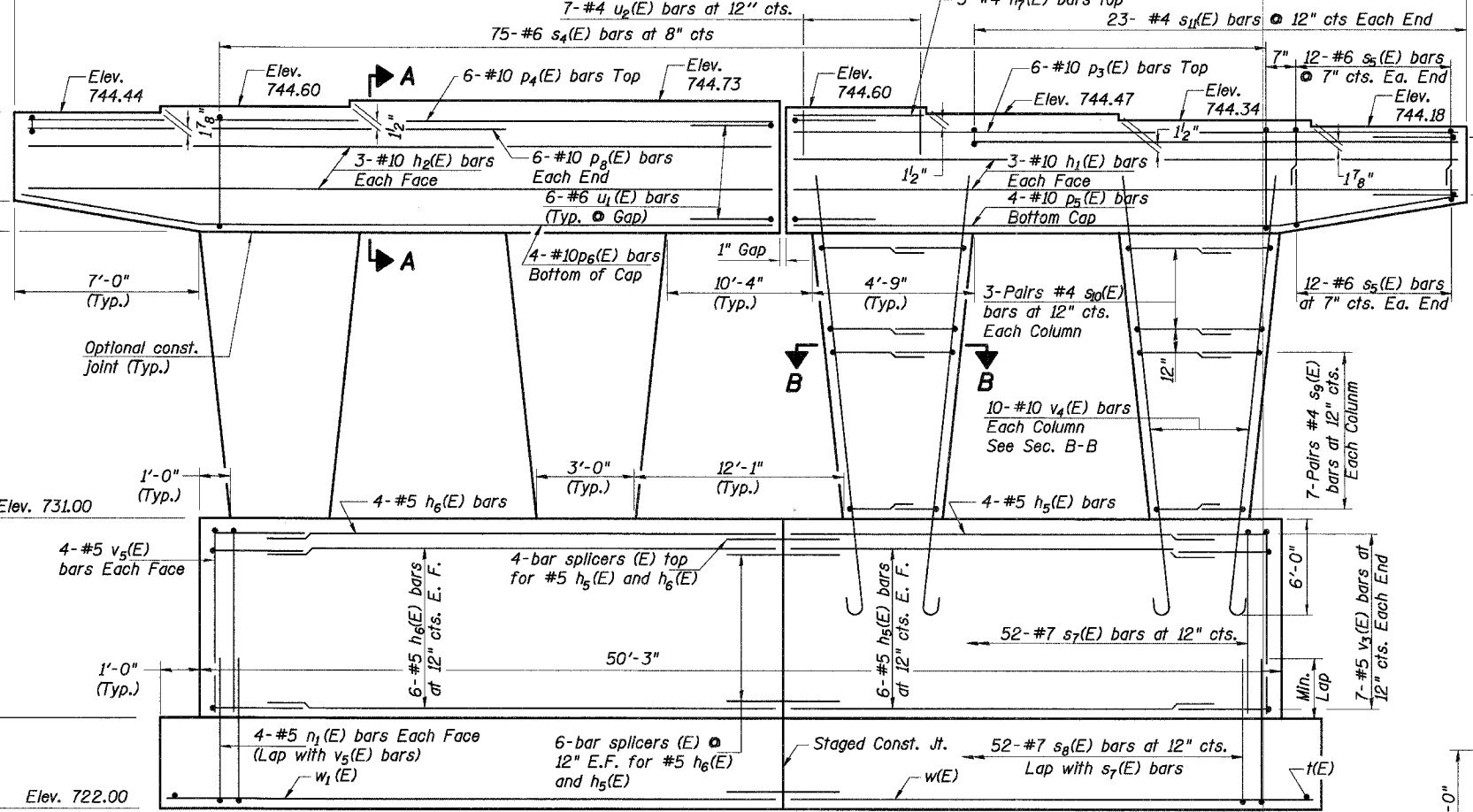
- Battered Pile -
- Vertical Pile -

MIN LAP LENGTH

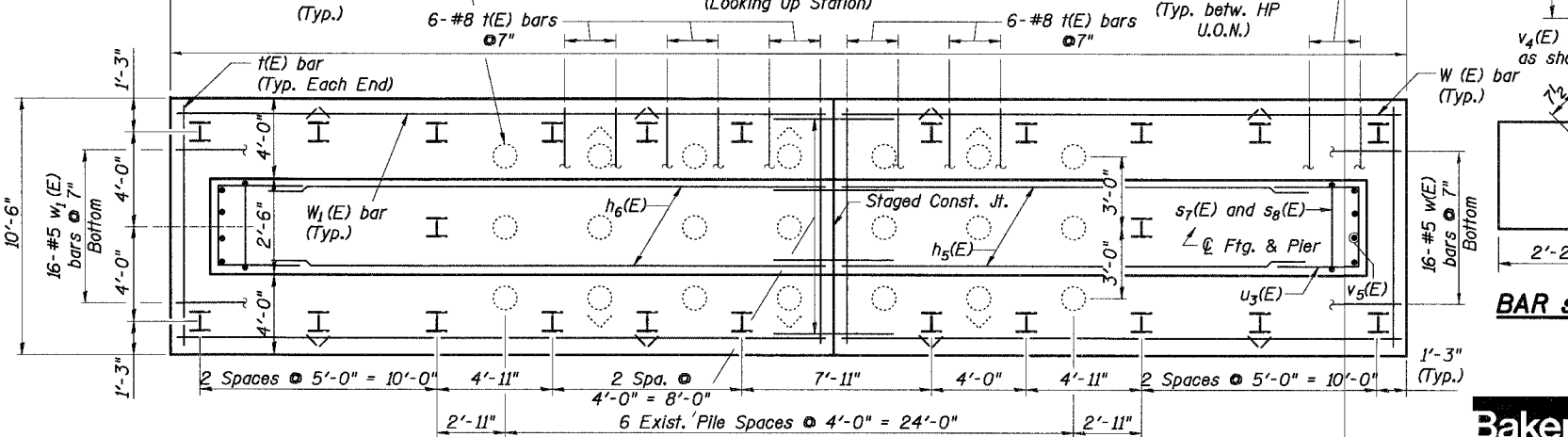
- #5 - 2'-2"
- #7 - 3'-5"



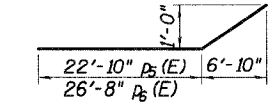
TOP PLAN



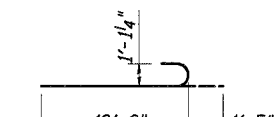
ELEVATION (Looking Up Station)



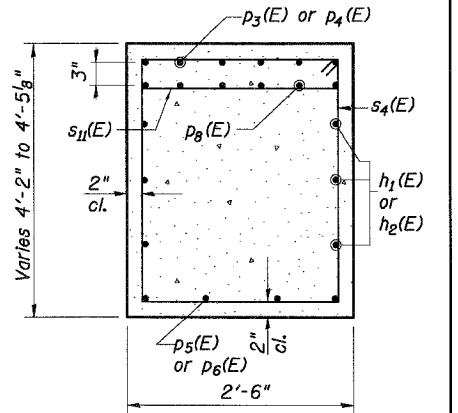
FOOTING PLAN



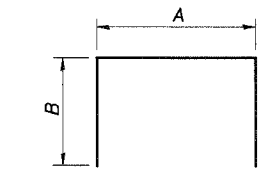
BARS p5(E) & p6(E)



BAR v4(E)



SECTION A-A

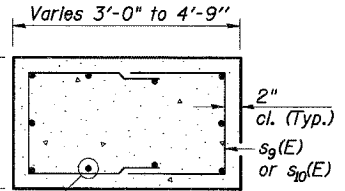


BARS A & B DIMENSIONS

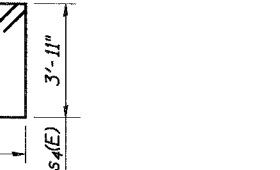
Bar	A	B
s5(E)	2'-2"	2'-9"
s7(E)	2'-2"	6'-4"
s8(E)	2'-2"	5'-8"
s9(E)	1'-8"	2'-8"
s10(E)	1'-8"	3'-0"
s11(E)	5"	2'-2"
u1(E)	2'-2"	3'-8"
u2(E)	2'-2"	2'-2"
u3(E)	2'-2"	2'-10"

BILL OF MATERIAL

Bar	No.	Size	Length(ft)	Shape
h1(E)	6	#10	29'-8"	
h2(E)	6	#10	33'-6"	
h3(E)	16	#5	22'-11"	
h4(E)	16	#5	26'-8"	
h5(E)	3	#4	6'-3"	
h6(E)	8	#5	4'-5"	
n1(E)	8	#5	4'-5"	
p3(E)	6	#10	29'-8"	
p4(E)	6	#10	33'-6"	
p5(E)	4	#10	29'-9"	
p6(E)	4	#10	33'-7"	
p8(E)	12	#10	22'-0"	
s4(E)	75	#6	13'-5"	
s5(E)	48	#6	7'-8"	
s7(E)	52	#7	14'-10"	
s8(E)	52	#7	13'-6"	
s9(E)	56	#4	7'-0"	
s10(E)	24	#4	7'-8"	
s11(E)	46	#4	4'-9"	
t(E)	80	#8	10'-0"	
u1(E)	22	#6	9'-6"	
u2(E)	7	#4	6'-6"	
u3(E)	14	#5	7'-10"	
v4(E)	40	#10	19'-11"	
v5(E)	8	#5	6'-4"	
w(E)	18	#5	23'-11"	
w1(E)	18	#5	27'-8"	
Structure Excavation	Cu. Yd.	100		
Concrete Structures	Cu. Yd.	116		
Reinforcement Bars, Epoxy Coated	Pound	19,020		
Bar Splicers	Each	34		
Concrete Sealer	Sq. Ft.	1,875		



SECTION B-B



BAR s4(E)

Baker
 Baker Engineering, Inc.

REVISIONS	
NAME	DATE

ILLINOIS DEPARTMENT OF TRANSPORTATION
PIER
 MARSEILLES ROAD (FAS Rt. 268)
 OVER I-80 (F.A.I. ROUTE 80)
 STATION 120+00.08 SECTION 50-SHBK-2
 LA SALLE COUNTY DESIGNED: DM DRAWN: DM
 DATE: 11/16/07 CHECKED: KZ CHECKED: KZ

P:\107496\3.0 deliverables\3.3 structure\Drawings\Final\Pier1.dgn 1/16/2007