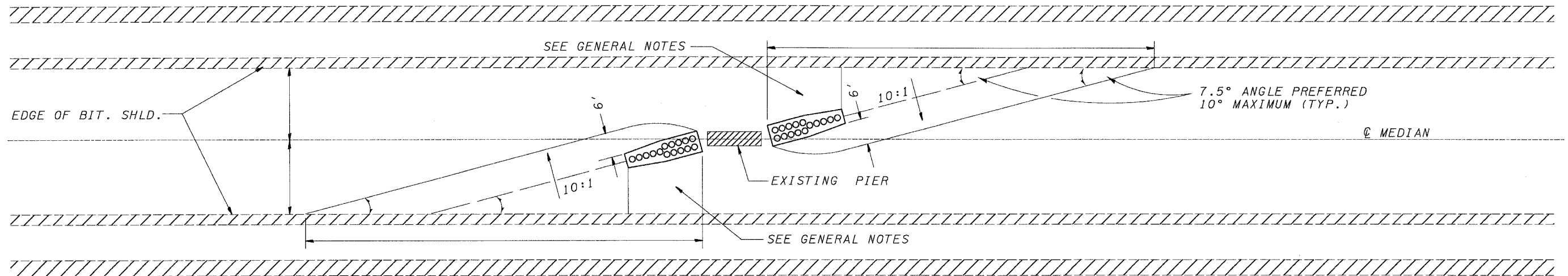


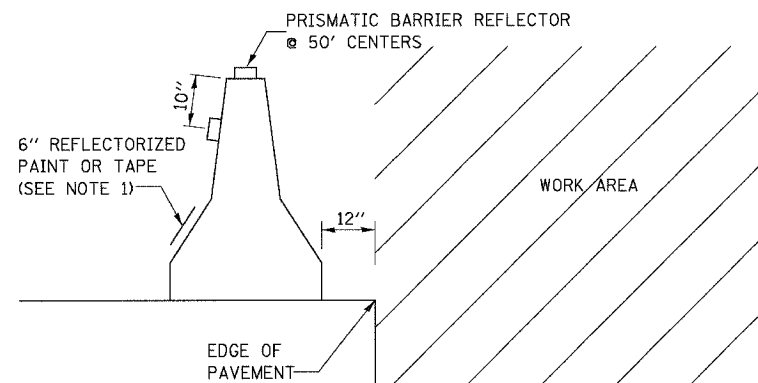
F.A.I. RTE.	SECTION	COUNTY	TOTAL SHEETS	SHEET NO.
80	(50-5) HBK-2	LASALLE	331	161
STA.	TO STA.			
FED. ROAD DIST. NO.	ILLINOIS	FED. AID PROJECT		



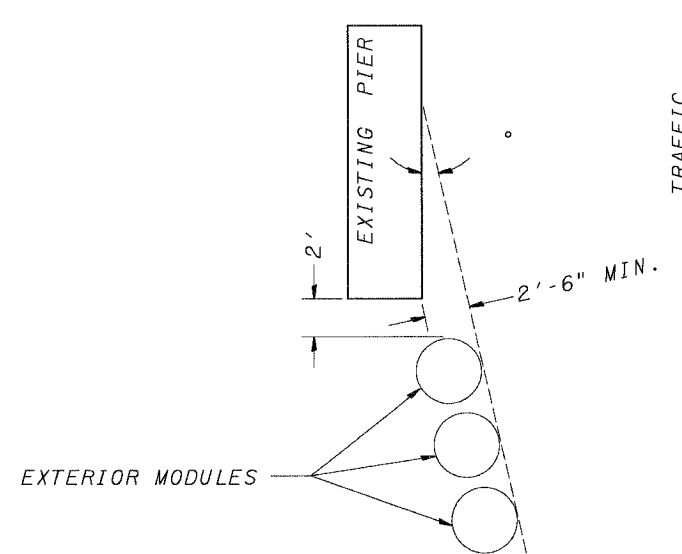
INERTIAL BARRIER LAYOUT AND GRADING PLAN

GENERAL NOTES

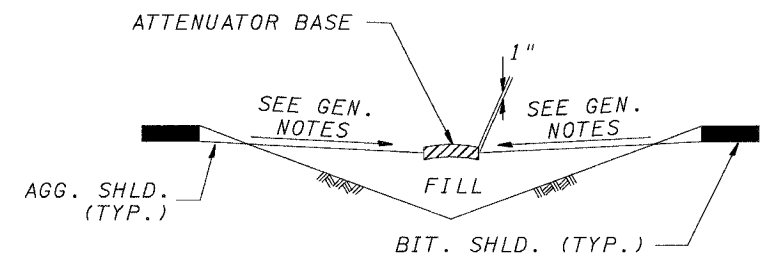
1. THE 10:1 SLOPE CONTROLS NOSE OF ATTENUATOR BASE ELEVATION.
2. ATTENUATOR BASE GRADE PARALLELS EDGE OF PAVEMENT GRADE.
3. SLOPE ADJACENT TO ATTENUATOR BASE SHALL BE 10:1 OR FLATTER.



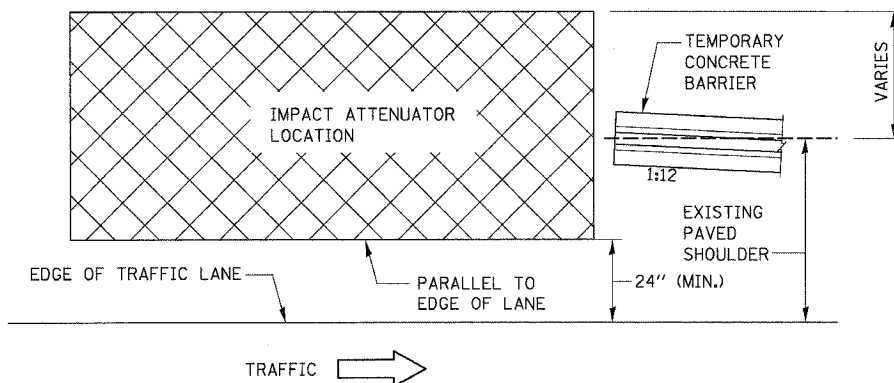
**RAMP TERMINAL REMOVAL / RECONSTRUCTION
TRAFFIC CONTROL DEVICE DETAIL LAYOUT**



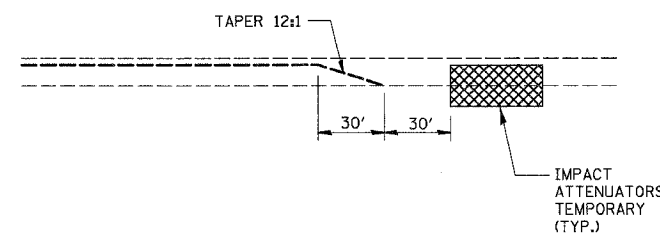
EXTERIOR MODULE LAYOUT



SECTION A - A



**IMPACT ATTENUATORS, TEMPORARY OR RELOCATED
(NON-REDIRECTIVE), TEST LEVEL 3**



631-1

REVISIONS	
NAME	DATE

ILLINOIS DEPARTMENT OF TRANSPORTATION

**INERTIAL BARRIER
INSTALLATION DETAILS**

SCALE: NONE
DATE: 11/02/07

DRAWN BY: KM
CHECKED BY: SE

Baker

Baker Engineering, Inc.

SHT. DET-07 OF 11