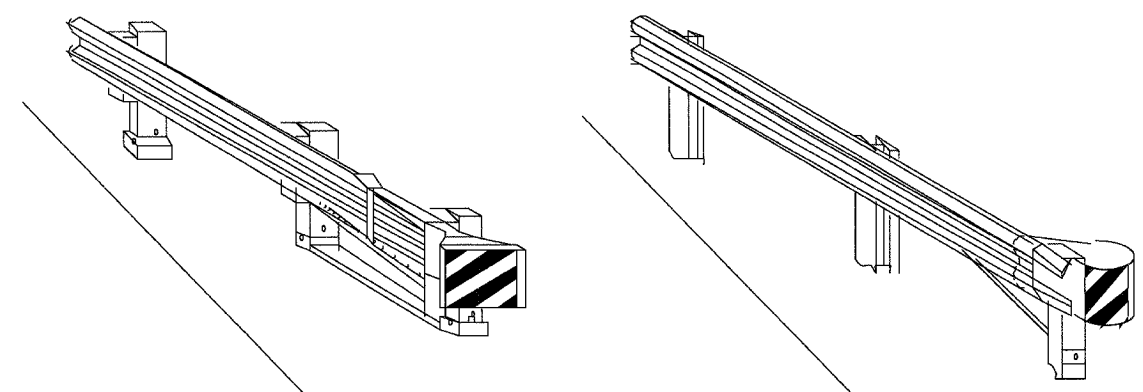
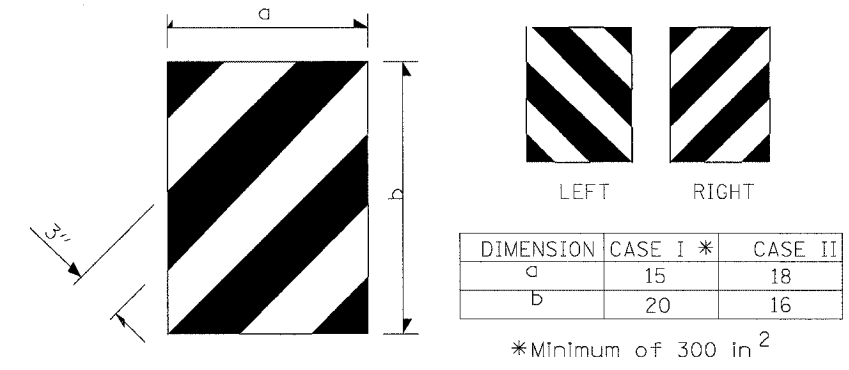


F.A.T. RTE.	SECTION	COUNTY	TOTAL SHEETS	SHEET NO.
80	(50-5) HBK-2	LASALLE	331	162
STA. TO STA.			ILLINOIS FED. AID PROJECT	



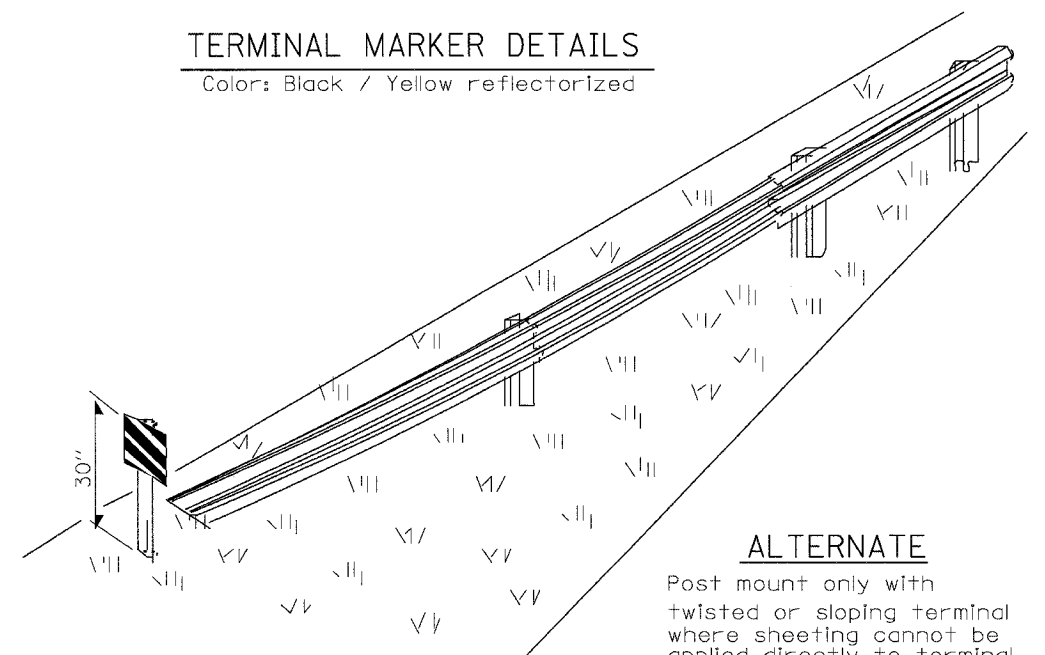
CASE I

CASE II



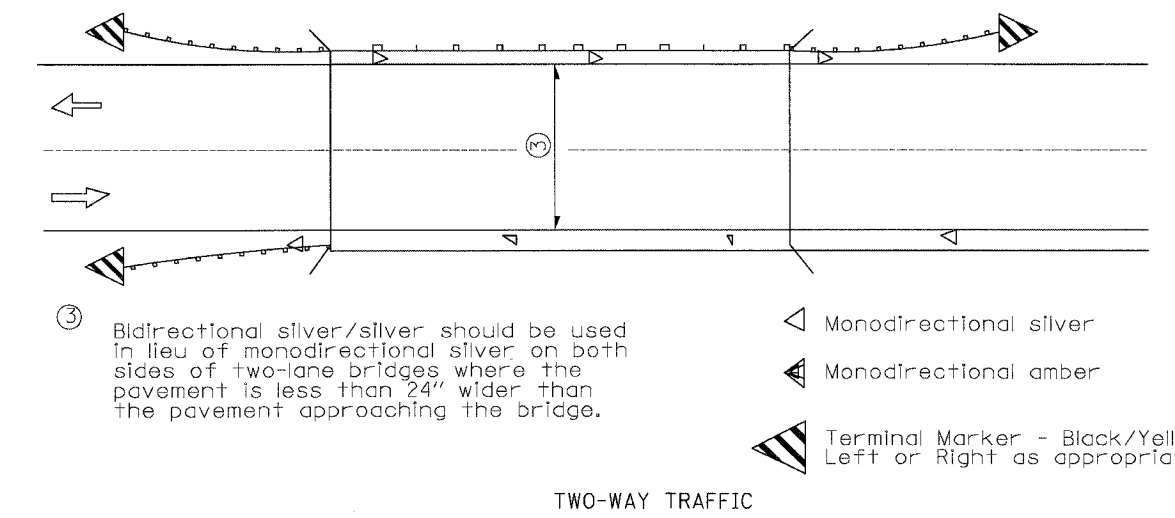
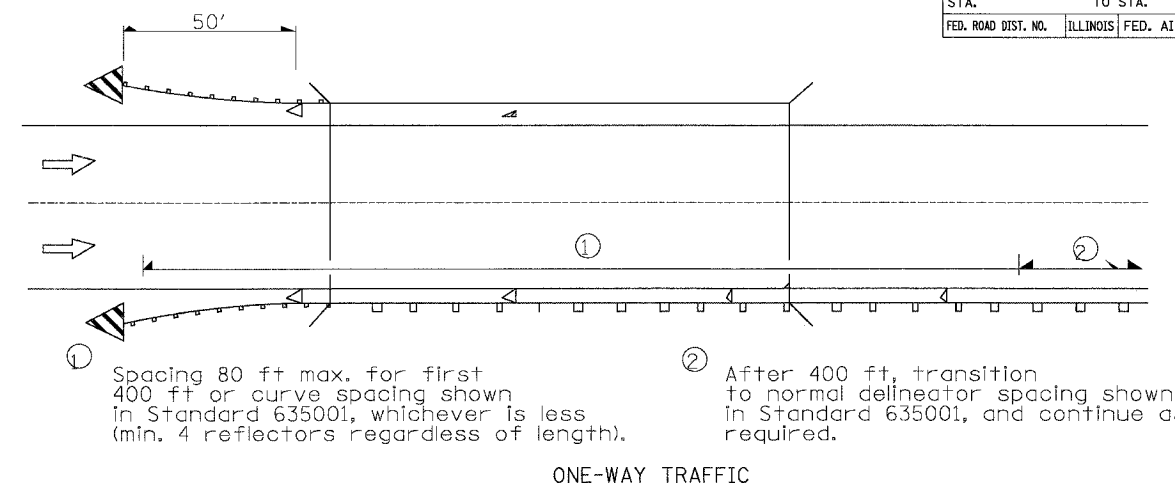
TERMINAL MARKER DETAILS

Color: Black / Yellow reflectorized

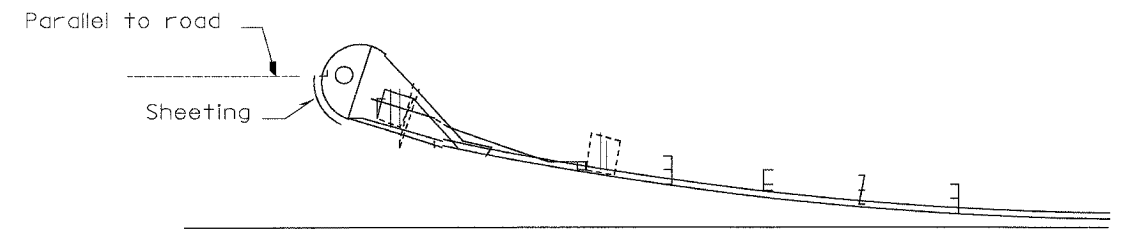


ALTERNATE

Post mount only with twisted or sloping terminal where sheeting cannot be applied directly to terminal.



GUARDRAIL / BARRIER WALL / BRIDGE RAIL REFLECTORS



SHEETING POSITION: CASE II

635-1

REVISIONS	
NAME	DATE

ILLINOIS DEPARTMENT OF TRANSPORTATION

REFLECTOR AND TERMINAL MARKER PLACEMENT

SCALE: NONE
DATE: 11/02/07

DRAWN BY: KM
CHECKED BY: SE

