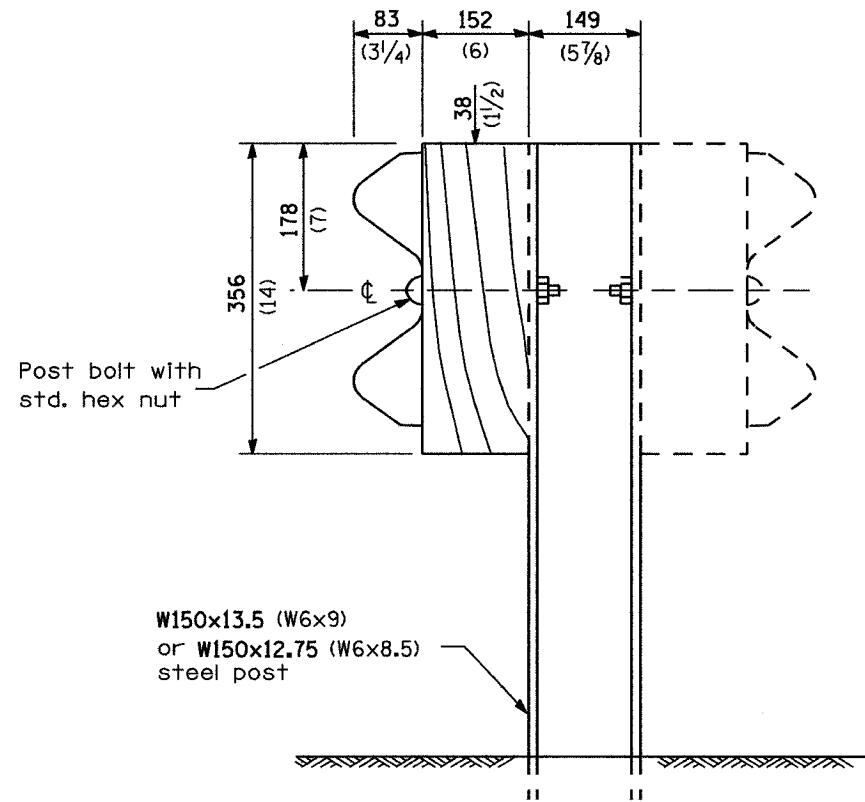
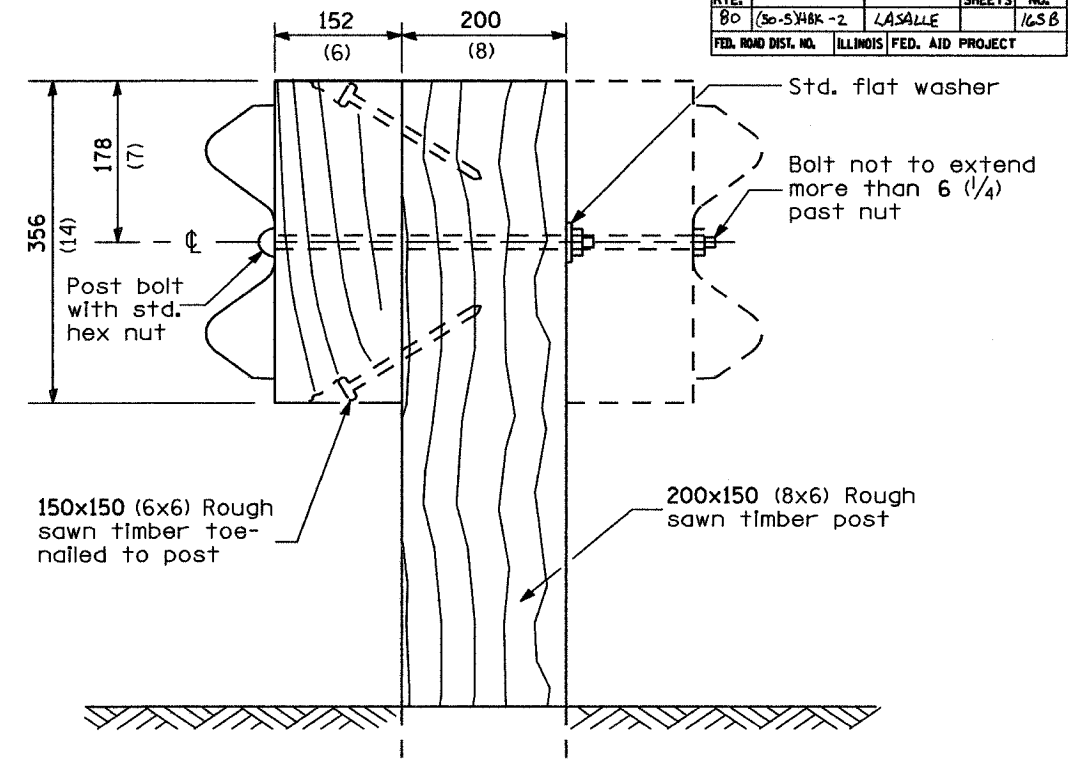


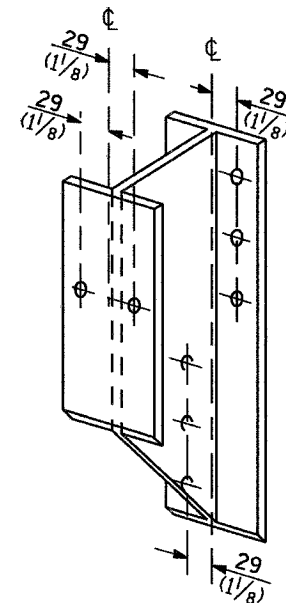
F.A. DIST. NO.	SECTION	COUNTY	TOTAL SHEETS	SHEET NO.
80	30-548K-2	CASALLE		165B
FED. ROAD DIST. NO.	ILLINOIS	FED. AID PROJECT		



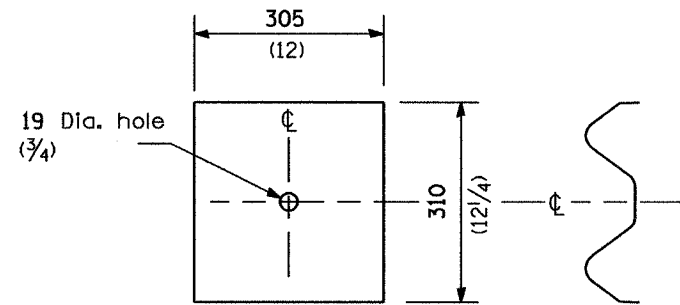
**STEEL POST CONSTRUCTION**



**WOOD POST CONSTRUCTION**



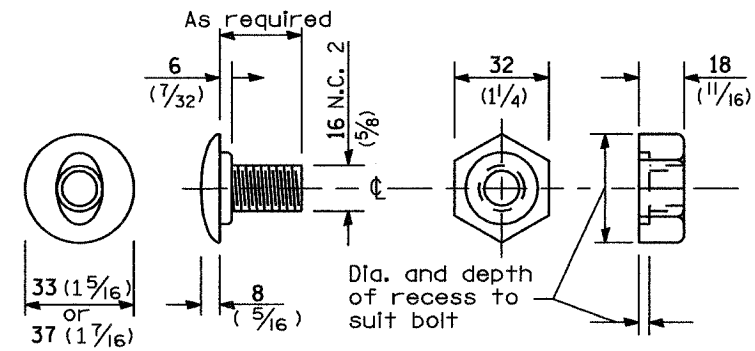
**STEEL BLOCK-OUT DETAIL**



**NOTE**

Plate A shall be placed between rail element and block-out at non-splice mounting points only when steel block-outs are used.

**PLATE A**



**POST OR SPLICE BOLT & NUT**

**REMOVE AND REERECT  
STEEL PLATE BEAM GUARDRAIL**

(Sheet 2 of 4)

**DETAIL**