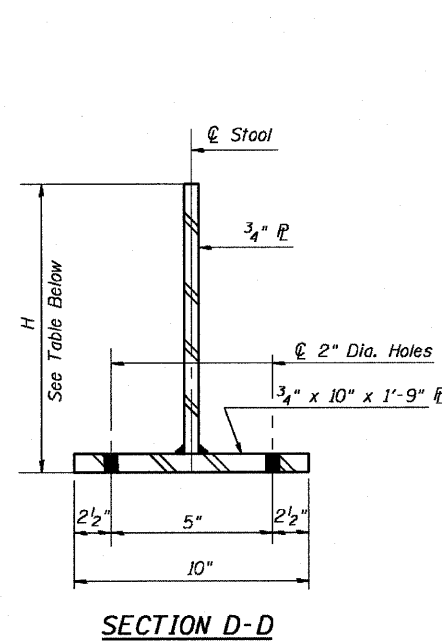
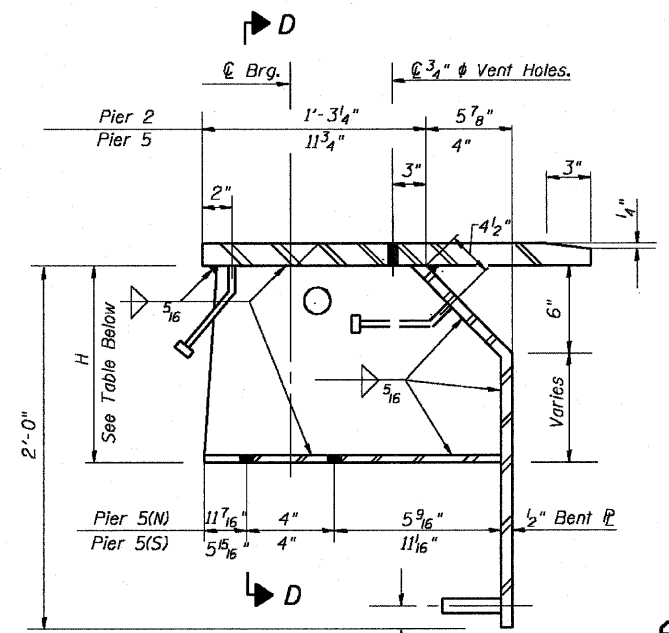


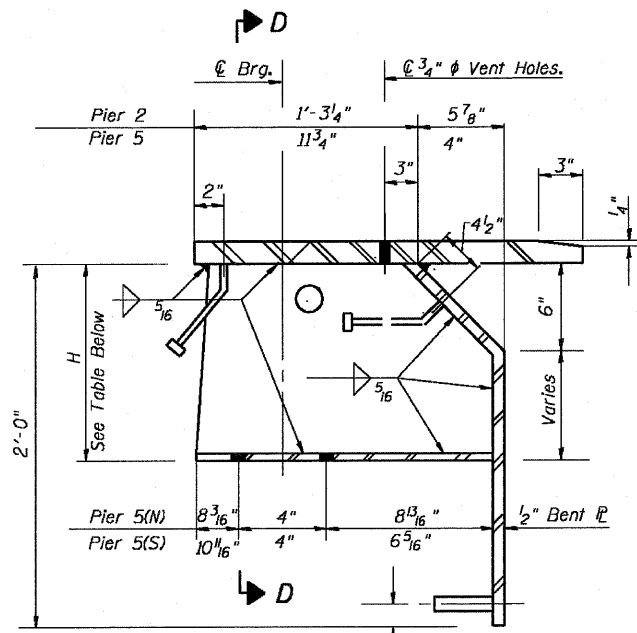
Contract # 66607



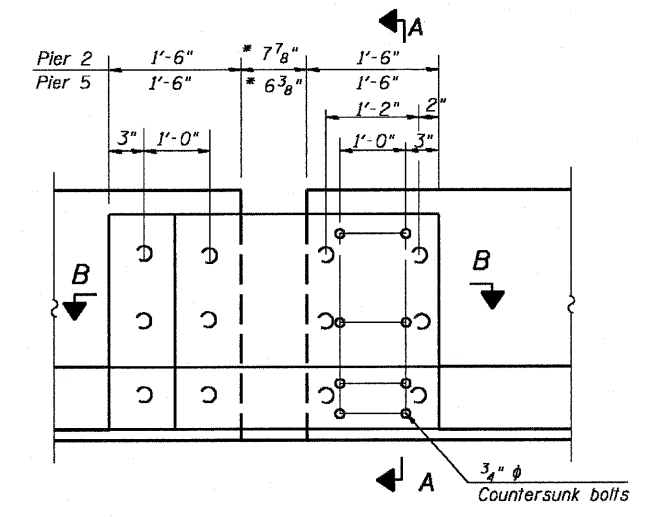
SECTION D-D



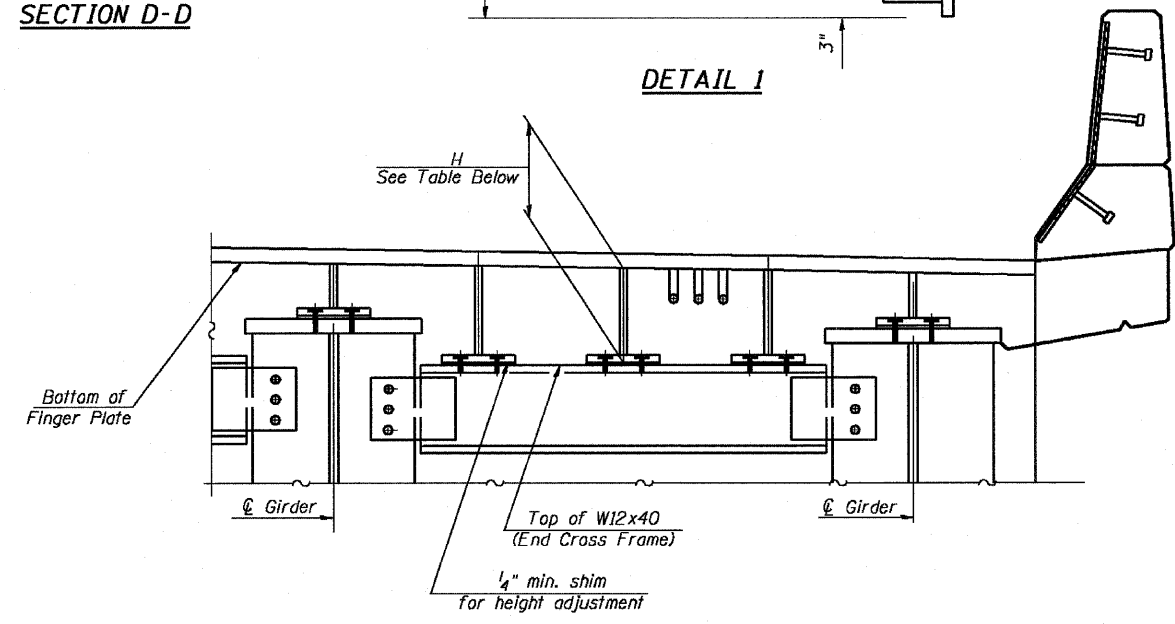
DETAIL 1



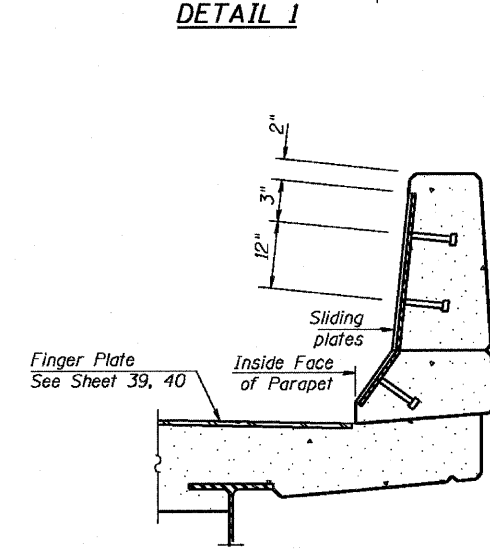
DETAIL 1



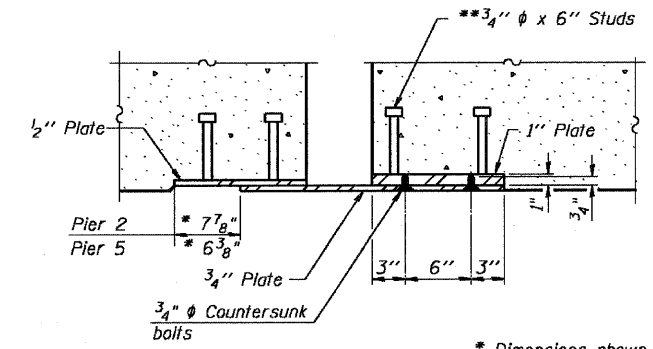
EAST PARAPET SLIDING PLATE DETAIL  
(WEST PARAPET SIMILAR)



STOOLS DETAIL



SECTION A-A



SECTION B-B

\* Dimensions shown are at 50° F  
\*\* Granular or solid flux filled headed studs conforming to Article 1006.32 of the Std. Specs., automatically end welded.

- Notes:
1. Work this sheet with Sheets 39, 40 & 41.
  2. M 270 Grade 50W steel shall be used for the finger plates and attachments.
  3. Finger plate expansion joints shall be assembled in their final relative position with the ends in place for shop inspection and acceptance.

TABLE OF STOOL HEIGHTS "H" - PIERS 2 & 5

LOCATION	STOOL NUMBER																				
Pier 2	S-1	S-2	S-3	S-4	S-5	S-6	S-7	S-8	S-9	S-10	S-11	S-12	S-13	S-14	S-15	S-16	S-17	S-18	S-19	S-20	S-21
	5 1/2"	9 1/16"	10 3/16"	10 5/8"	5 1/2"	9 3/4"	10 1/16"	10 7/8"	5 1/2"	9 1/16"	10"	10 3/16"	5 1/2"	10 1/4"	10"	9 1/16"	5 1/2"	10 3/8"	10 1/16"	9 15/16"	5 1/2"
	N-1	N-2	N-3	N-4	N-5	N-6	N-7	N-8	N-9	N-10	N-11	N-12	N-13	N-14	N-15	N-16	N-17	N-18	N-19	N-20	N-21
Pier 5	S-1	S-2	S-3	S-4	S-5	S-6	S-7	S-8	S-9	S-10	S-11	S-12	S-13	S-14	S-15	S-16	S-17	S-18	S-19	S-20	S-21
	6 1/2"	10 5/8"	11"	11 1/16"	6 1/2"	10 5/8"	10 15/16"	11 1/4"	6 1/2"	10 9/16"	10 7/8"	11 3/16"	6 1/2"	11 1/4"	10 5/16"	10 9/16"	6 1/2"	11 1/4"	10 15/16"	10 1/16"	6 1/2"
	N-1	N-2	N-3	N-4	N-5	N-6	N-7	N-8	N-9	N-10	N-11	N-12	N-13	N-14	N-15	N-16	N-17	N-18	N-19	N-20	N-21
	6 1/2"	10 3/4"	11 1/8"	11 9/16"	6 1/2"	10 3/4"	11 1/8"	11 3/8"	6 1/2"	10 1/16"	11"	11 5/16"	6 1/2"	11 3/8"	11 1/8"	10 1/16"	6 1/2"	11 3/8"	11 1/8"	10 15/16"	6 1/2"

DESIGNED - CLS  
CHECKED - DEV  
DRAWN - JHR  
CHECKED - RJC

FINGER PLATE EXP. JT. DETAILS 2  
AT PIERS 2 & 5  
IL. 170 F.A.P. 786 OVER  
ILLINOIS RIVER AT SENECA  
PUBLIC WATERS  
LA SALLE COUNTY, SECTION 109 BR  
STATION 79+04.42  
STRUCTURE NO. 050-0246