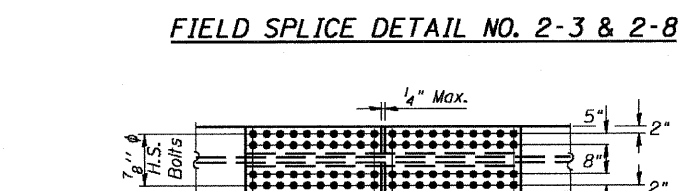
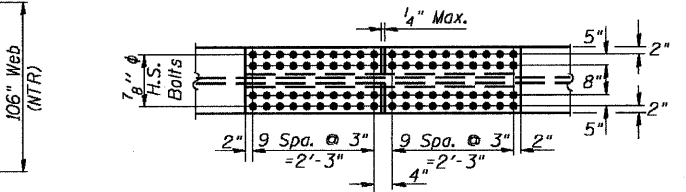
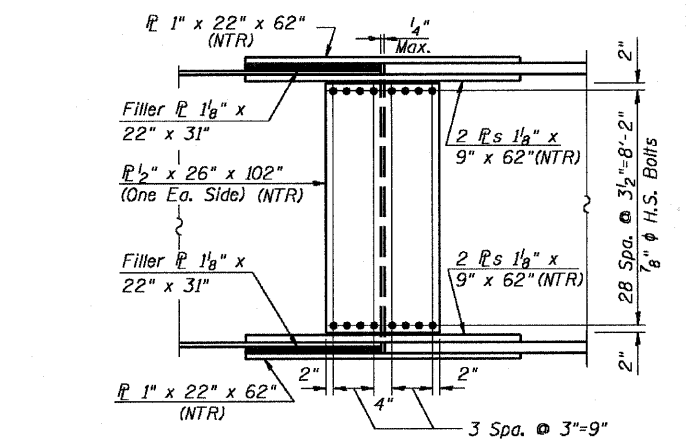
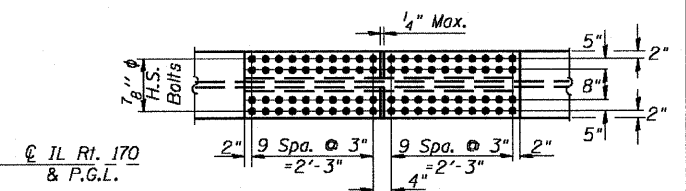
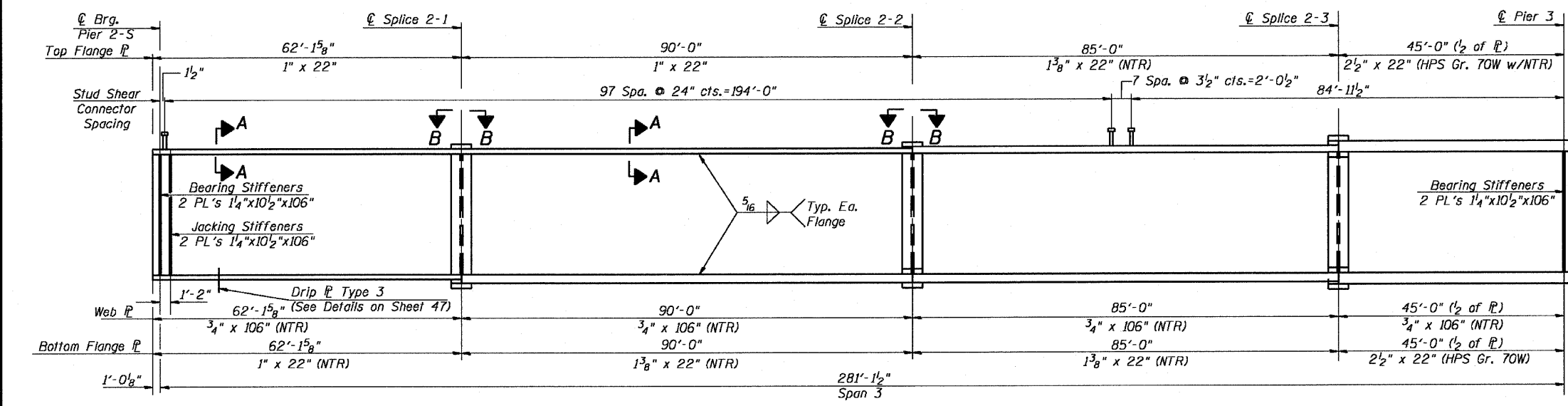
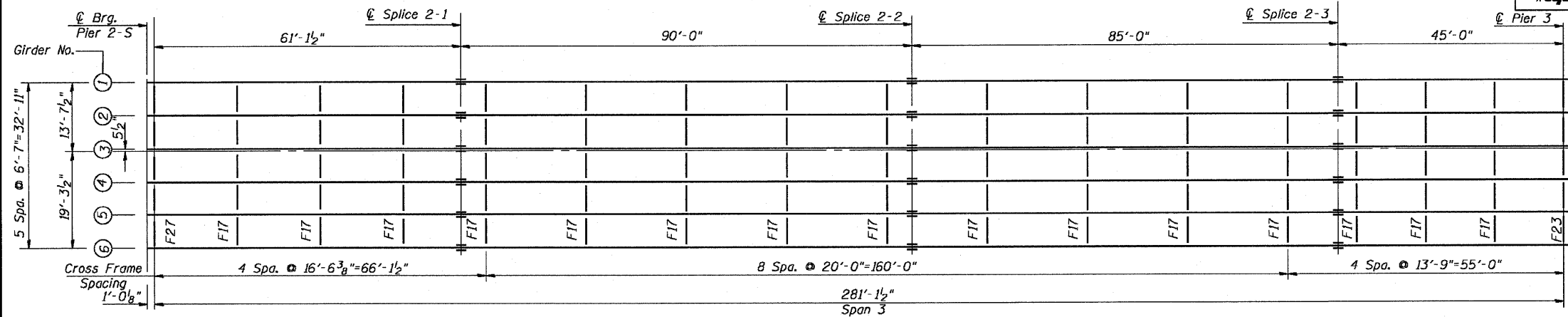


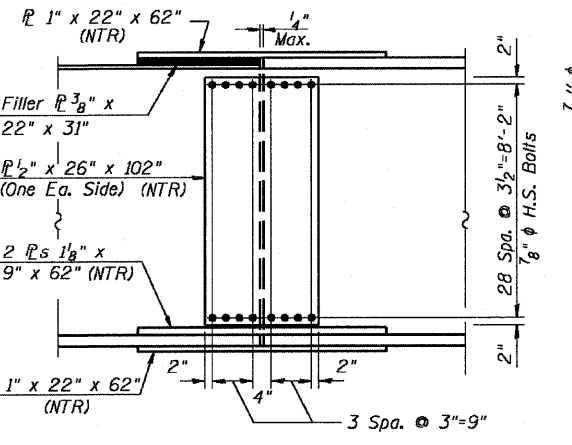
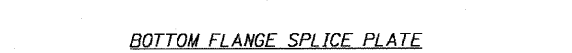
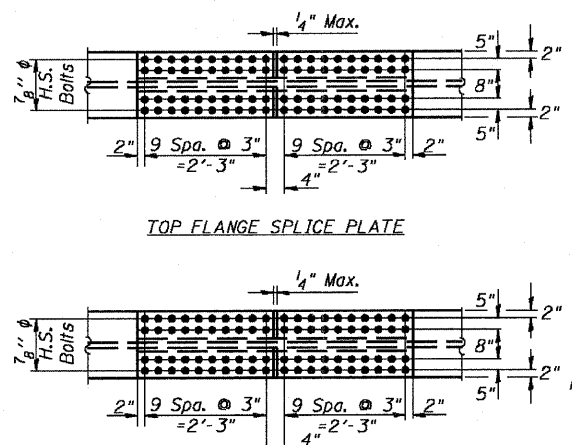
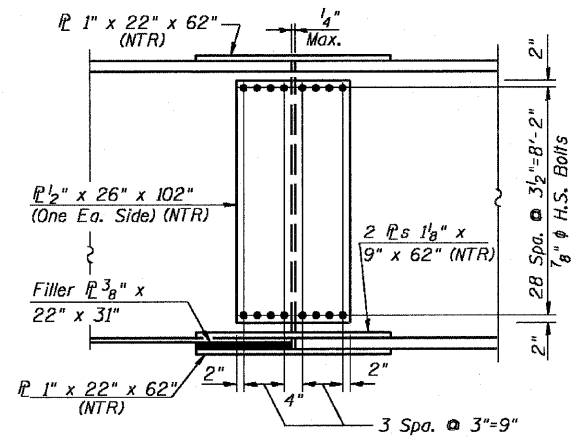
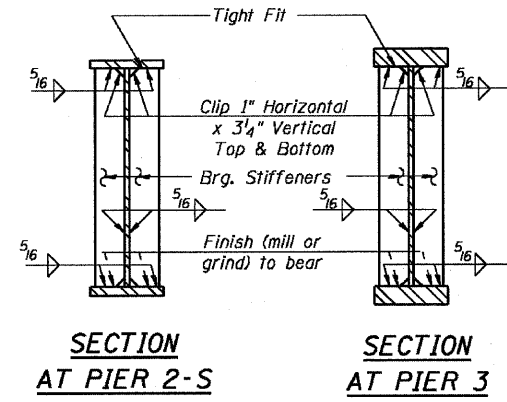
STATE OF ILLINOIS  
DEPARTMENT OF TRANSPORTATION



F.A.P. ROUTE NO.	SECTION	COUNTY	STATION	SHEET	SHEET NO. 45
786	109 BR	La Salle	351	245	89 SHEETS
Contract # 66607					



- Notes:
1. Work this sheet with Sheets 46, 47, & 48.
  2. See Sheet 47 for Section A-A, View B-B, and corresponding notes.



DESIGNED - CLS
CHECKED - OPY
DRAWN - JHR
CHECKED - RJC

FRAMING PLAN  
UNIT 2 (1 OF 3)  
IL. 170 F.A.P. 786 OVER  
ILLINOIS RIVER AT SENECA  
PUBLIC WATERS  
LA SALLE COUNTY, SECTION 109 BR  
STATION 79+04.42  
STRUCTURE NO. 050-0246