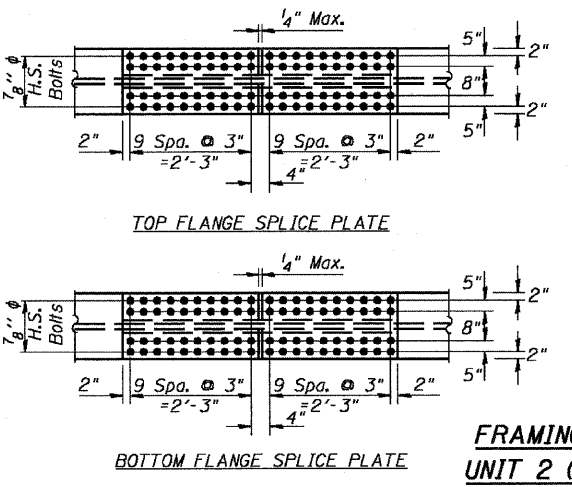
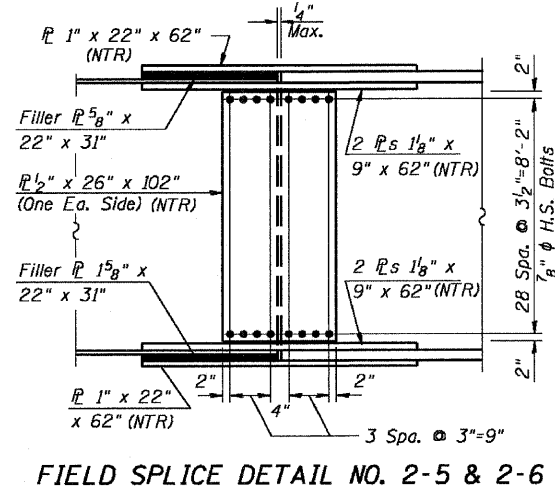
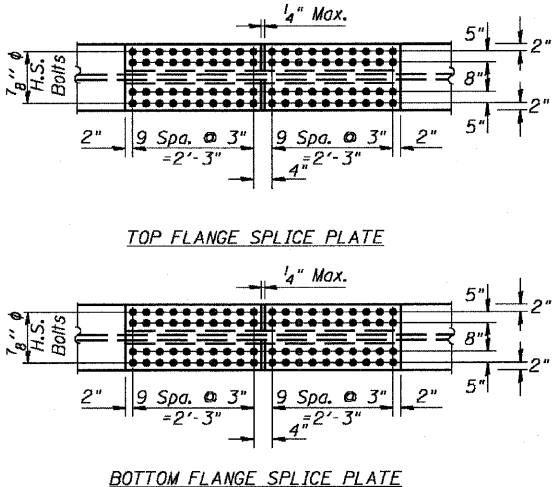
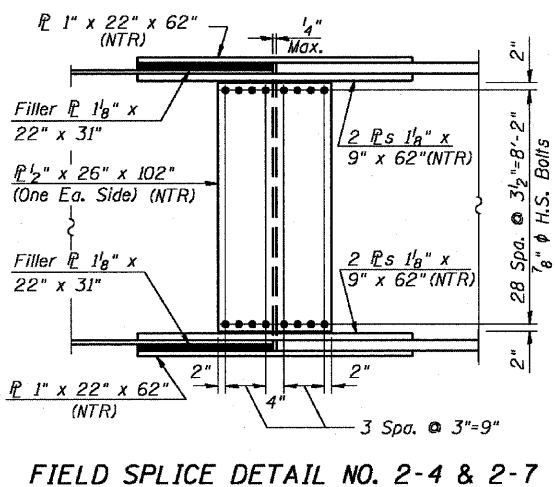
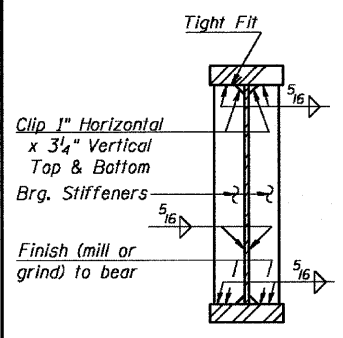
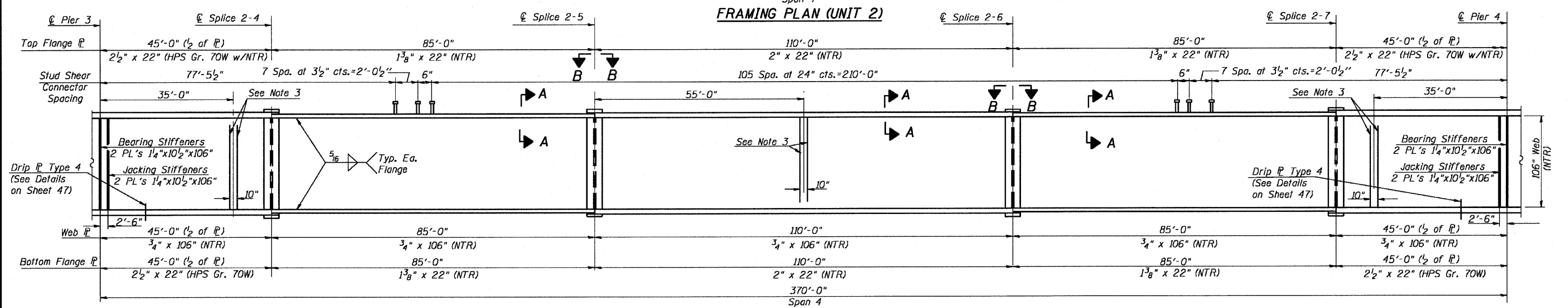
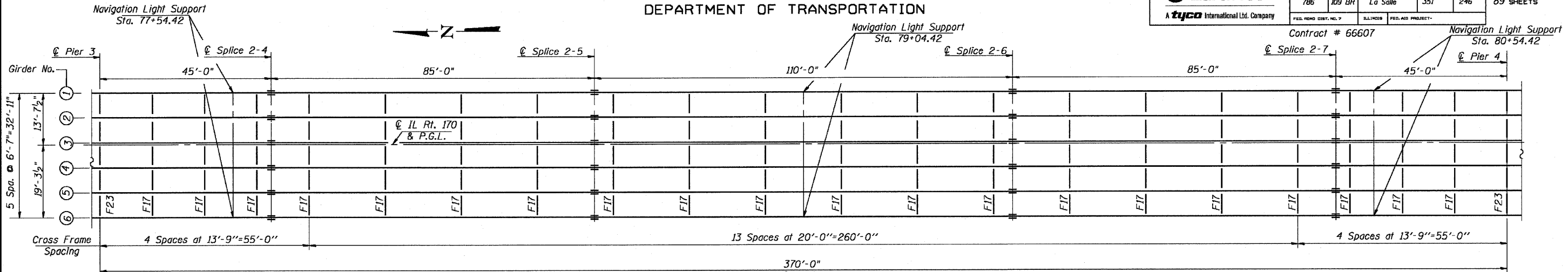


STATE OF ILLINOIS
DEPARTMENT OF TRANSPORTATION



F.A.P. ROUTE NO.	SECTION	COUNTY	LETTERS	SHEET	SHEET NO. 46
786	109 BR	La Salle	351	246	89 SHEETS
FED. ROAD DIST. NO. 7	ILLINOIS	FED. AID PROJECT-	Contract # 66607		



DESIGNED - CLS
CHECKED - OPY
DRAWN - JHR
CHECKED - OPY

- Notes:
1. Work this sheet with Sheets 45, 47 & 48.
 2. See Sheet 47 for Section A-A, View B-B, View C-C, and corresponding notes.
 3. See Sheet 55 for Navigation Light Support Details (Exterior face of exterior girders only).

ILL. 170 F.A.P. 786 OVER
ILLINOIS RIVER AT SENECA
PUBLIC WATERS
LA SALLE COUNTY, SECTION 109 BR
STATION 79+04.42
STRUCTURE NO. 050-0246