

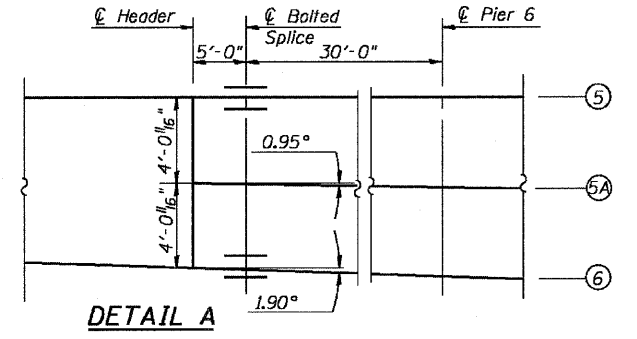
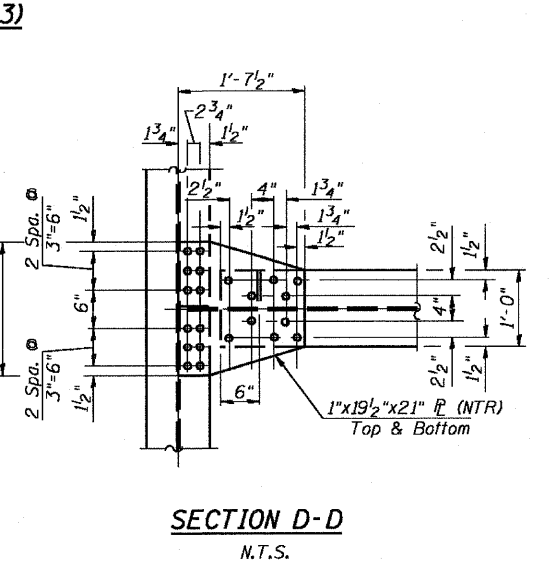
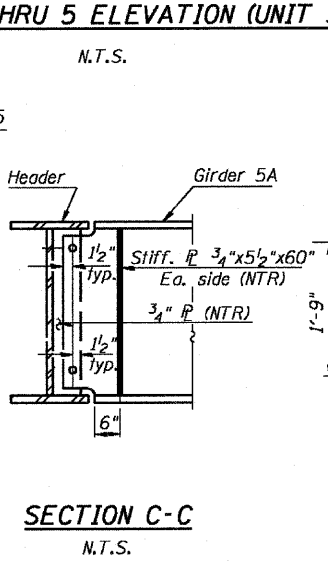
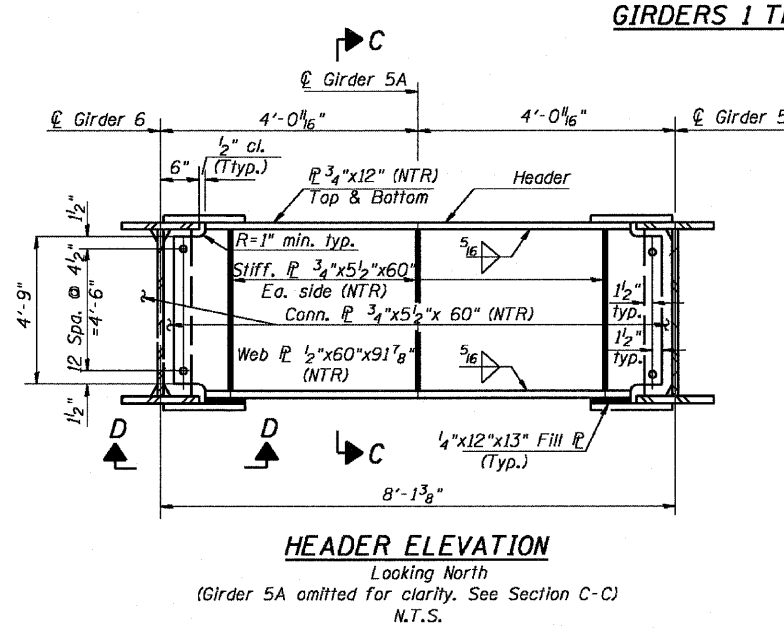
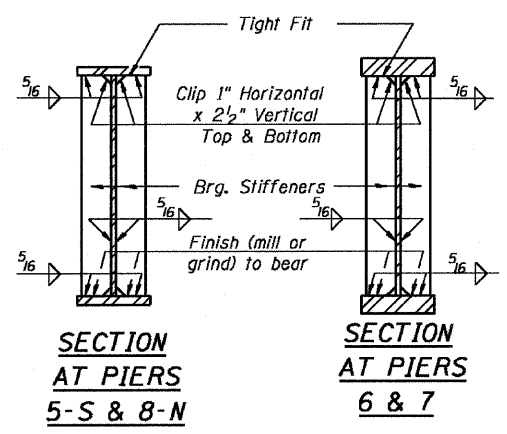
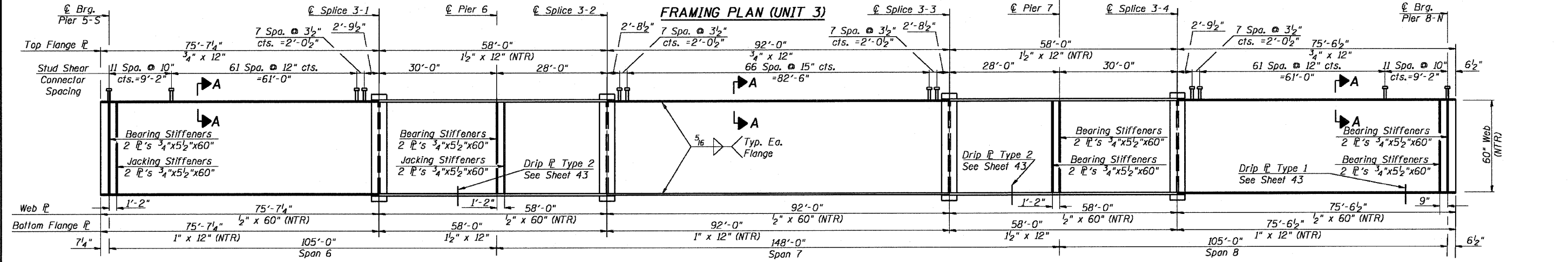
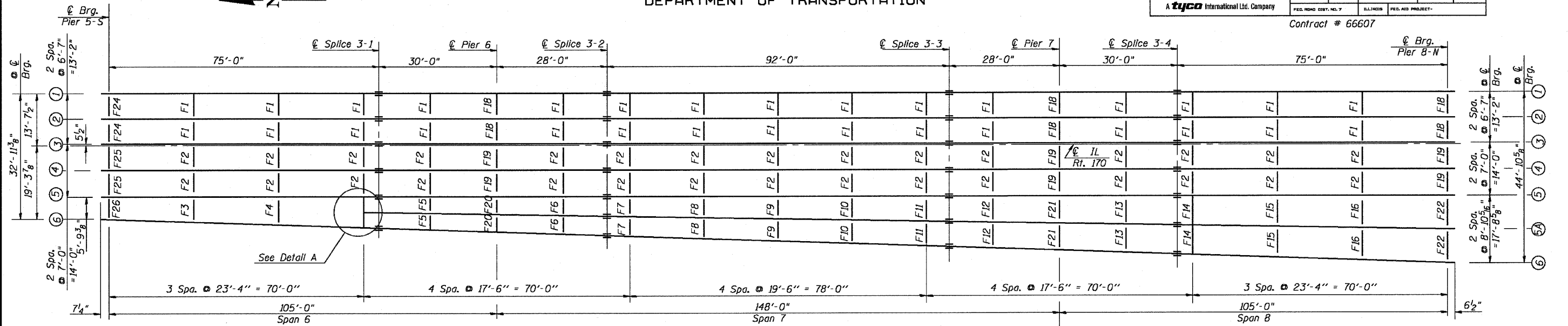
STATE OF ILLINOIS  
DEPARTMENT OF TRANSPORTATION



F.A.P. ROUTE NO.	SECTION	COUNTY	TOTAL SHEETS	SHEET NO.
786	109 BR	La Salle	351	249
FED. ROAD DIST. NO. 7	ILLINOIS	FED. AID PROJECT-		

SHEET NO. 49  
89 SHEETS

Contract # 66607



DESIGNED - CLS
CHECKED - OPY
DRAWN - JHR
CHECKED - RJC

**FRAMING PLAN UNIT 3 (1 of 2)**  
**IL. 170 F.A.P. 786 OVER ILLINOIS RIVER AT SENECA PUBLIC WATERS**  
**LA SALLE COUNTY, SECTION 109 BR STATION 79+04.42**  
**STRUCTURE NO. 050-0246**