

STATE OF ILLINOIS
DEPARTMENT OF TRANSPORTATION

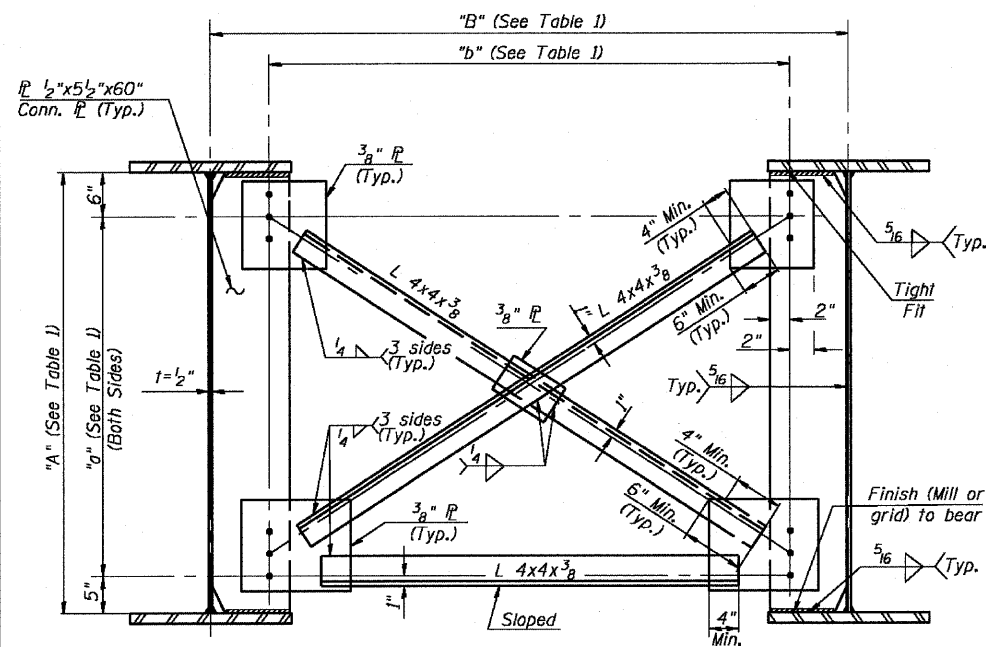


| | | | | | |
|-----------------------|----------|------------------|------------|-------|---------------------------|
| F.A.P. ROUTE NO. | SECTION | COUNTY | POST MILES | SHEET | SHEET NO. 54 89 SHEETS |
| 786 | 109 BR | La Salle | 351 | 254 | |
| FED. ROAD DIST. NO. 7 | ILLINOIS | FED. AID PROJECT | | | |

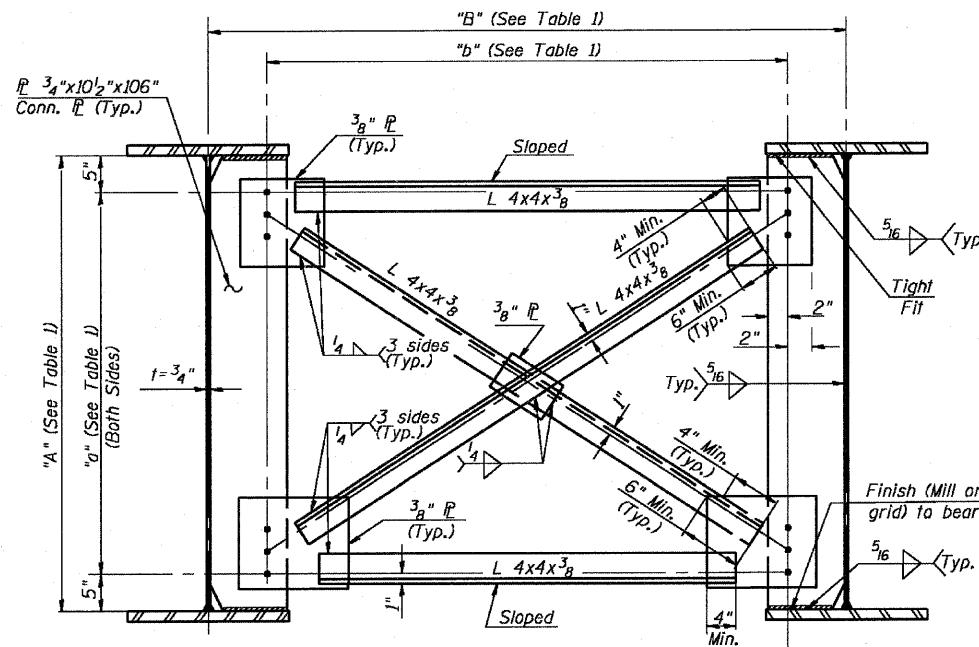
Contract # 66607

TABLE 1

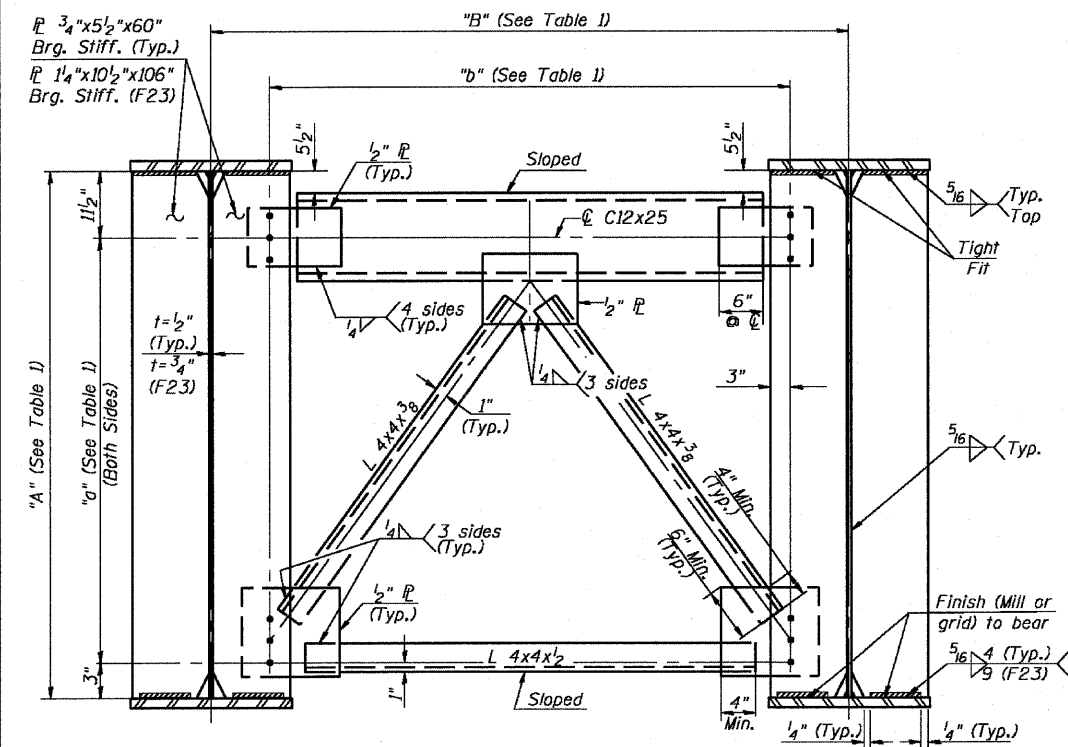
| Name | Type | Quantity | "A" | "a" | "B" | "b" |
|------|------|----------|--------|-----------|-------------|--------------|
| F1 | 1 | 70 | 5'-0" | 4'-1" | 6'-7" | 5'-11 1/2" |
| F2 | 1 | 30 | 5'-0" | 4'-1" | 7'-0" | 6'-4 1/2" |
| F3 | 1 | 1 | 5'-0" | 4'-1" | 6'-6 3/4" | 5'-11 1/4" |
| F4 | 1 | 1 | 5'-0" | 4'-1" | 7'-4 1/16" | 6'-8 9/16" |
| F5 | 1 | 2 | 5'-0" | 4'-1" | 4'-4 3/16" | 3'-8 11/16" |
| F6 | 1 | 2 | 5'-0" | 4'-1" | 4'-11 3/16" | 4'-3 11/16" |
| F7 | 1 | 2 | 5'-0" | 4'-1" | 5'-2 11/16" | 4'-7 3/16" |
| F8 | 1 | 2 | 5'-0" | 4'-1" | 5'-6 5/8" | 4'-11 1/8" |
| F9 | 1 | 2 | 5'-0" | 4'-1" | 5'-10 1/2" | 5'-3" |
| F10 | 1 | 2 | 5'-0" | 4'-1" | 6'-2 3/8" | 5'-6 7/8" |
| F11 | 1 | 2 | 5'-0" | 4'-1" | 6'-6 5/16" | 5'-10 13/16" |
| F12 | 1 | 2 | 5'-0" | 4'-1" | 6'-9 13/16" | 6'-2 5/16" |
| F13 | 1 | 2 | 5'-0" | 4'-1" | 7'-4 13/16" | 6'-9 5/16" |
| F14 | 1 | 2 | 5'-0" | 4'-1" | 7'-8 5/16" | 7'-0 13/16" |
| F15 | 1 | 2 | 5'-0" | 4'-1" | 8'-0 15/16" | 7'-5 7/16" |
| F16 | 1 | 2 | 5'-0" | 4'-1" | 8'-5 5/8" | 7'-10 1/8" |
| F17 | 2 | 250 | 8'-10" | 8'-0" | 6'-7" | 5'-1 1/4" |
| F18 | 3 | 16 | 5'-0" | 3'-9 1/2" | 6'-7" | 6'-1 1/2" |
| F19 | 3 | 6 | 5'-0" | 3'-9 1/2" | 7'-0" | 6'-6 1/2" |
| F20 | 3 | 2 | 5'-0" | 3'-9 1/2" | 4'-7 11/16" | 4'-2 3/16" |
| F21 | 3 | 2 | 5'-0" | 3'-9 1/2" | 7'-1 5/16" | 6'-7 13/16" |
| F22 | 3 | 2 | 5'-0" | 3'-9 1/2" | 8'-10 5/16" | 8'-4 13/16" |
| F23 | 3 | 10 | 8'-10" | 7'-7 1/2" | 6'-7" | 5'-3 1/4" |
| F24 | 4 | 7 | 5'-0" | 4'-0" | 6'-7" | 6'-1 1/2" |
| F25 | 4 | 2 | 5'-0" | 4'-0" | 7'-0" | 6'-6 1/2" |
| F26 | 4 | 1 | 5'-0" | 4'-0" | 5'-9 3/8" | 5'-3 7/8" |
| F27 | 4 | 10 | 8'-10" | 7'-10" | 6'-7" | 5'-3 1/4" |



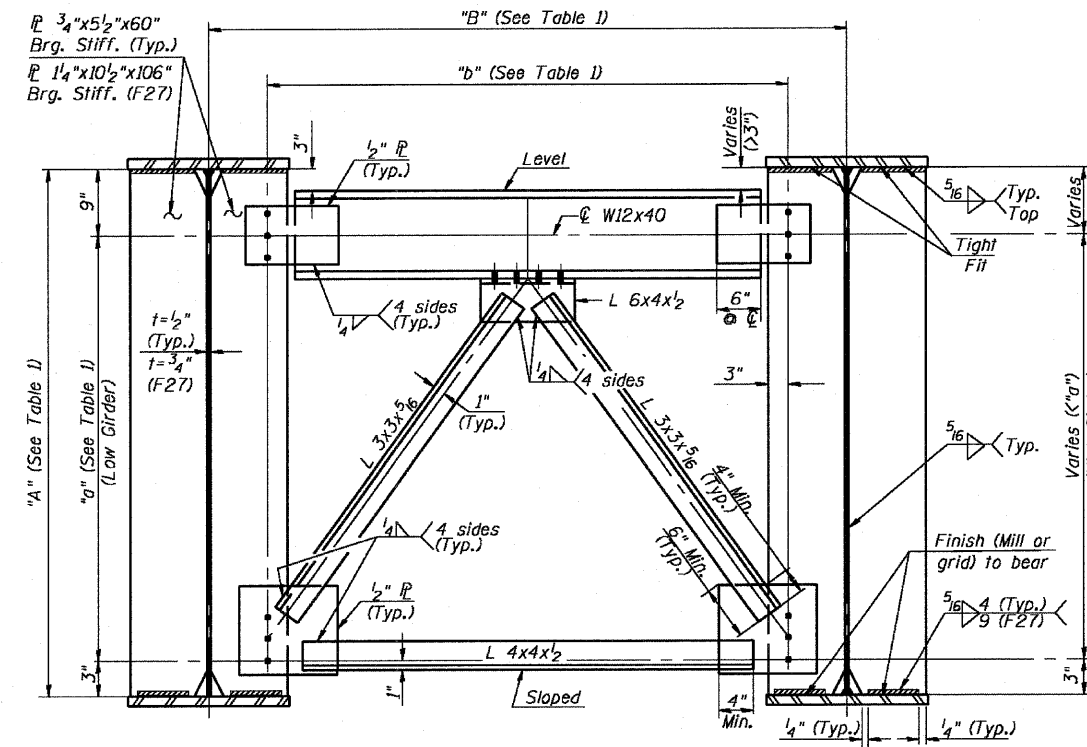
INTERIOR CROSS FRAME TYPE 1 (F1-F16)



INTERIOR CROSS FRAME TYPE 2 (F17)



END CROSS FRAME TYPE 3 (F18-F23)



END CROSS FRAME TYPE 4 (F24-F27)

| |
|----------------|
| DESIGNED - CLS |
| CHECKED - |
| DRAWN - JHR |
| CHECKED - |

Notes

1. M270 Grade 50W steel shall be used for all cross frame & connection plate material.
2. Detail 5/16" φ holes for all 3/4" φ bolts.
3. Two hardened washers required for each set of oversized holes.
4. Place diaphragm with channel flanges and outstanding angle legs outward from abutment backwall and any other expansion joint.
5. All cross frames between girders shall be installed with erection pins and bolts in accordance with the erection plan approved by the Engineer. Individual cross frames at supports may be temporarily disconnected to install bearing anchor rods.

CROSS FRAME DETAILS
IL. 170 F.A.P. 786 OVER
ILLINOIS RIVER AT SENECA
PUBLIC WATERS
LA SALLE COUNTY, SECTION 109 BR
STATION 79+04.42
STRUCTURE NO. 050-0246