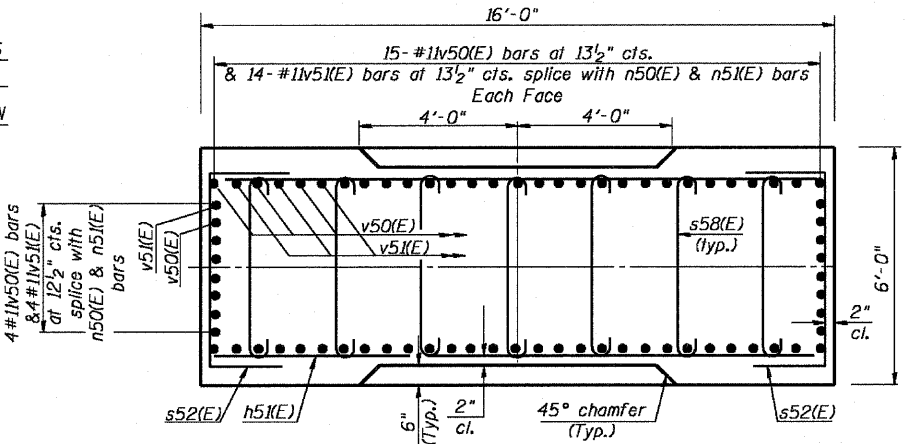
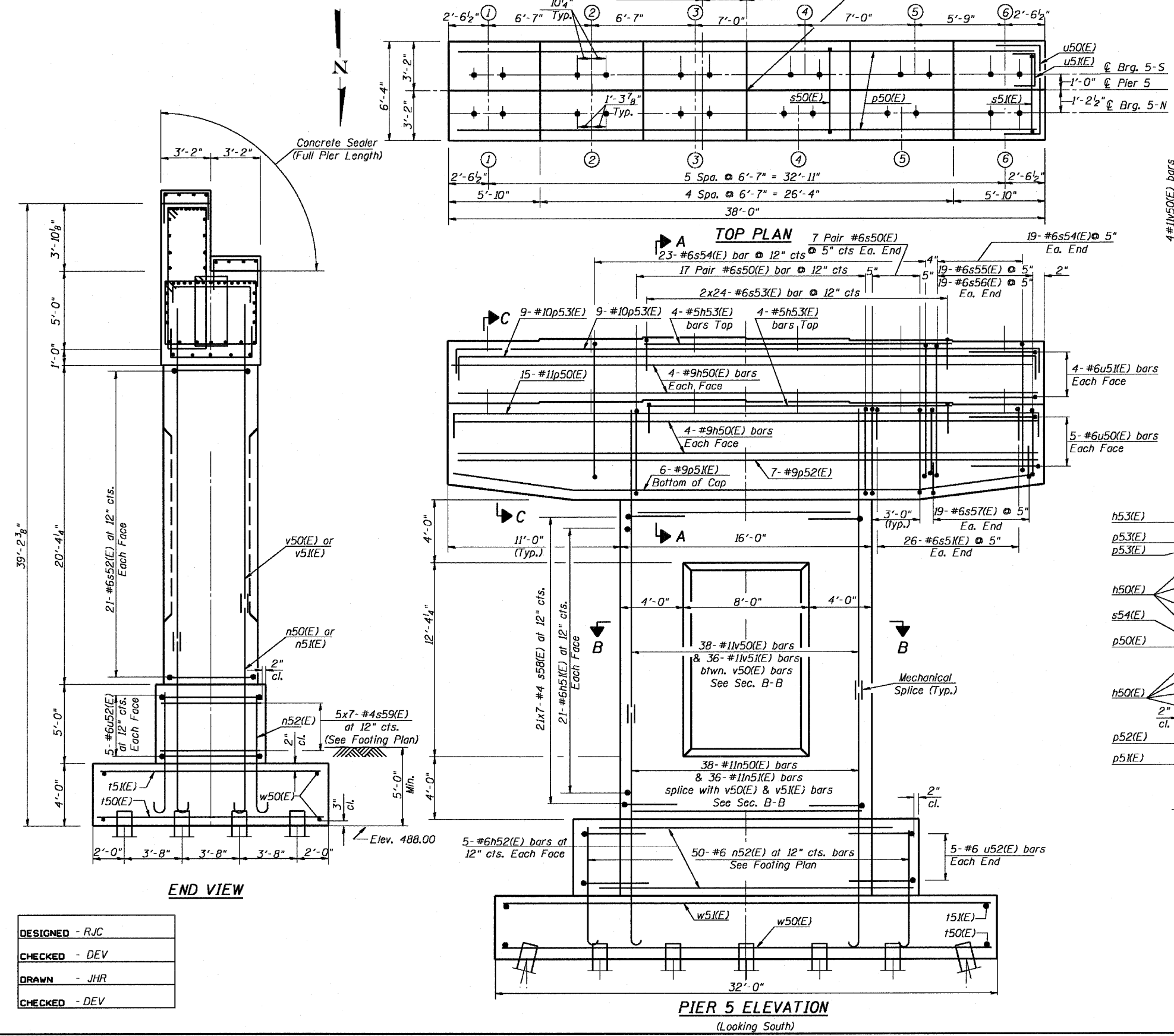


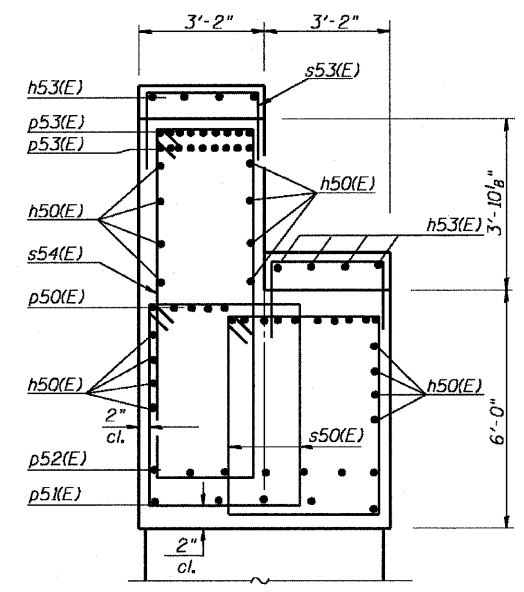
Contract # 66607

STATE OF ILLINOIS  
DEPARTMENT OF TRANSPORTATION

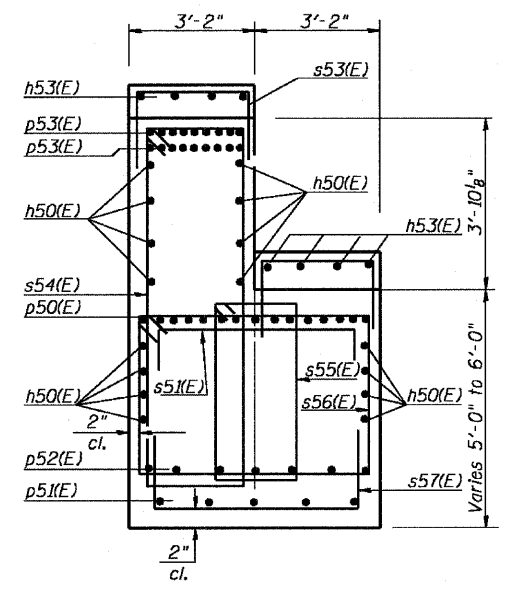
IL Rt. 170 Sta. 83+72.00



SECTION B-B



SECTION A-A



SECTION C-C

DESIGNED	- RJC
CHECKED	- DEV
DRAWN	- JHR
CHECKED	- DEV

PIER 5  
IL. 170 F.A.P. 786 OVER  
ILLINOIS RIVER AT SENECA  
PUBLIC WATERS  
LA SALLE COUNTY, SECTION 109 BR  
STATION 79+04.42  
STRUCTURE NO. 050-0246