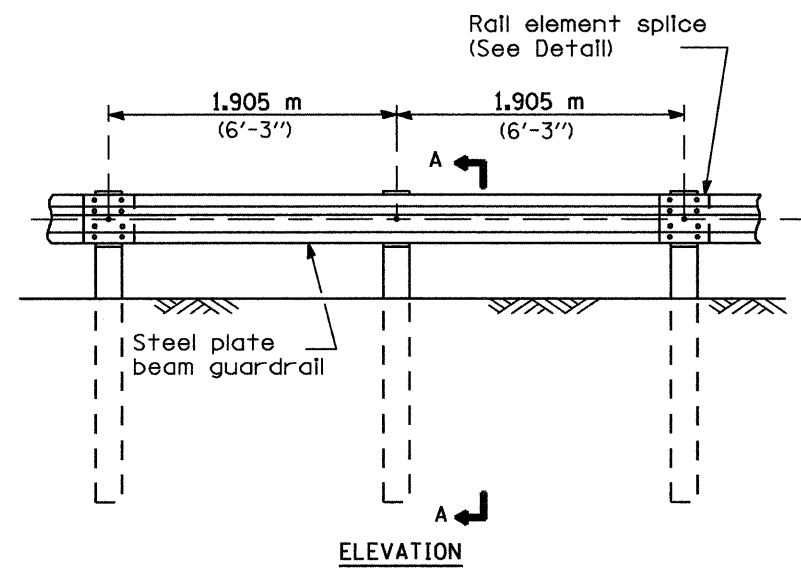
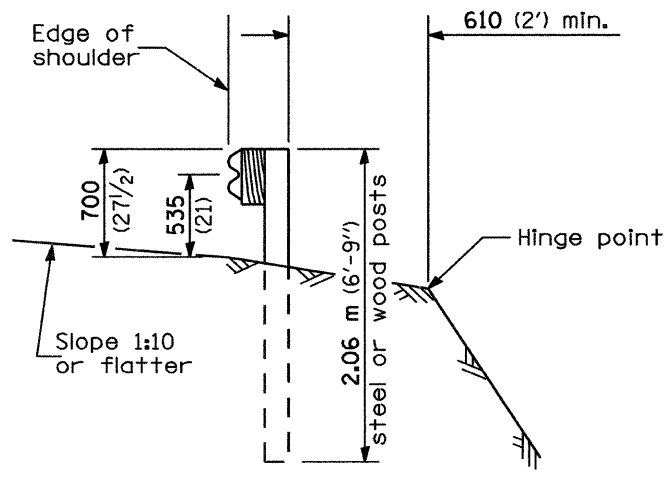


F.A.P. RTE.	SECTION	COUNTY	TOTAL SHEETS	SHEET NO.
78C	(109) BR	LASALLE		298A
FED. ROAD DIST. NO.	ILLINOIS	FED. AID PROJECT		

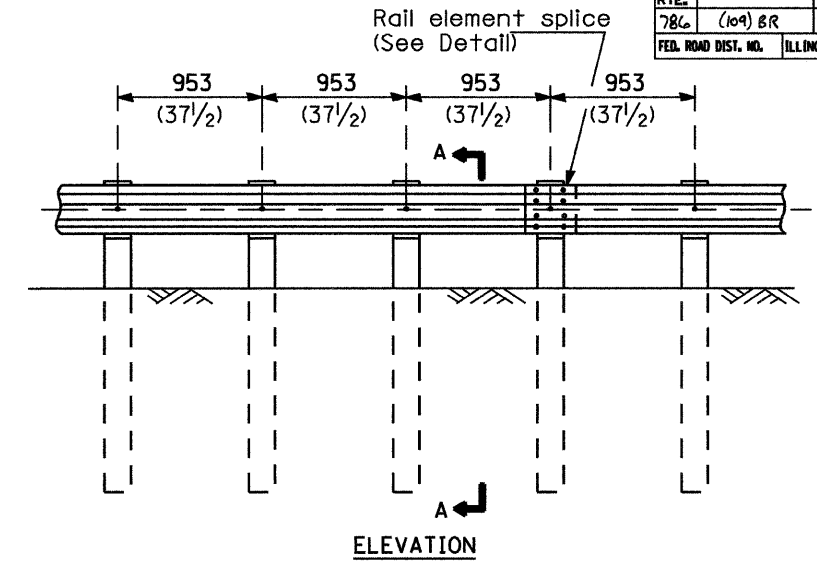


**TYPE A**

1.905 m (6'-3") Typical post spacing

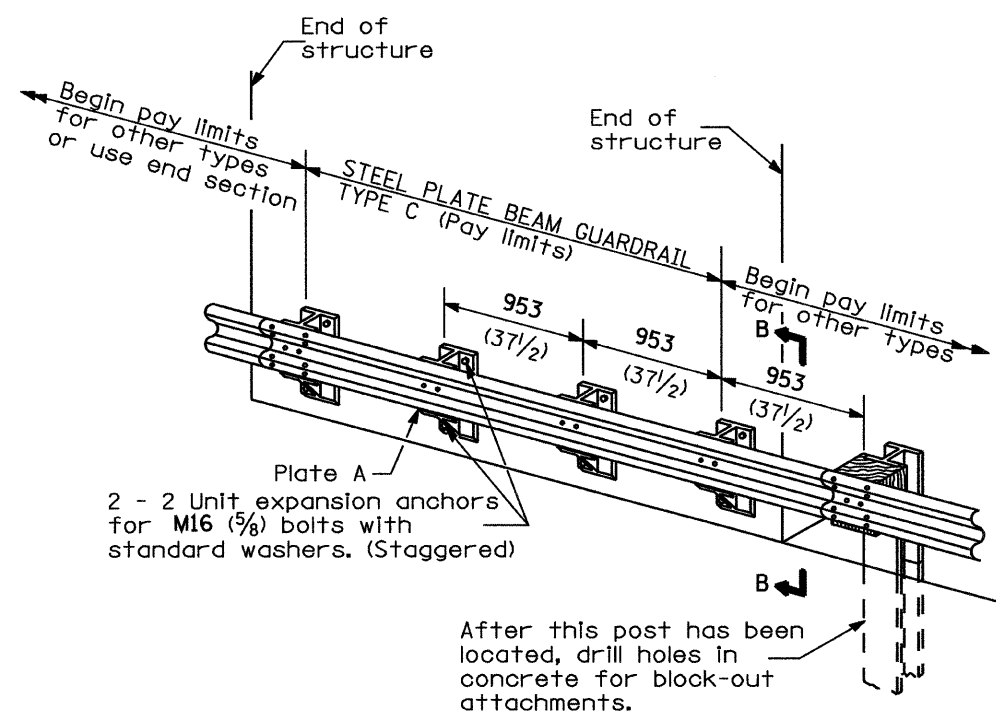


**SECTION A-A**



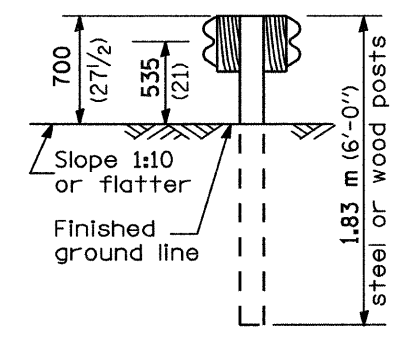
**TYPE B**

953 (37 1/2) Closed post spacing

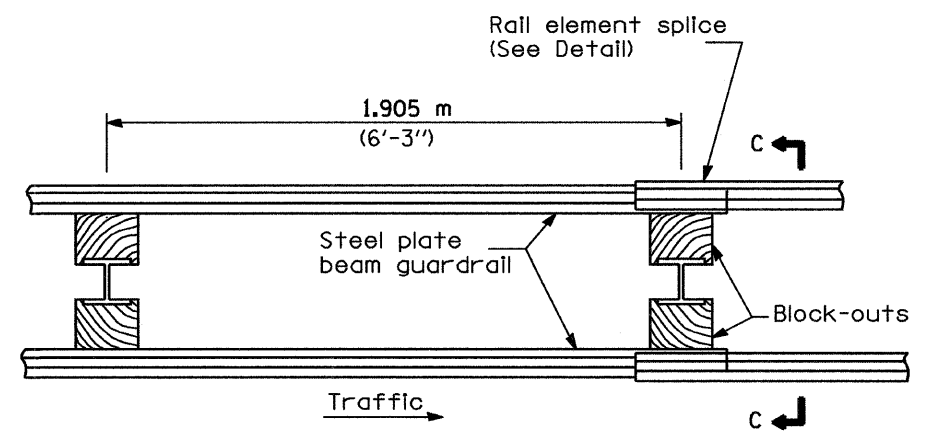


**TYPE C**

953 (37 1/2) Block-out spacing



**SECTION C-C**

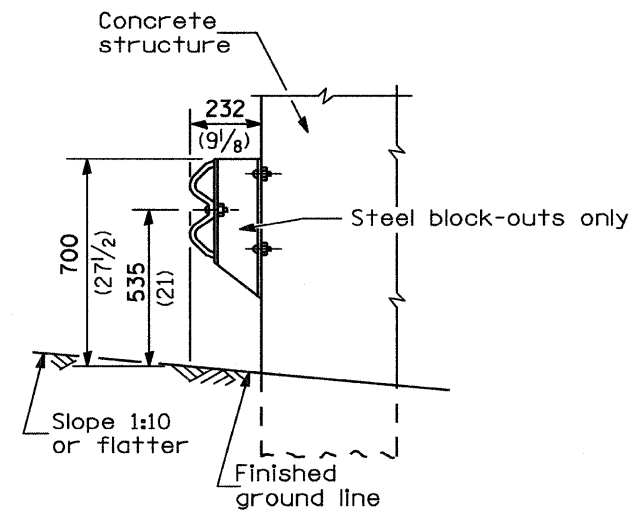


**TYPE D**

Double steel plate beam guardrail  
1.905 m (6'-3") typical post spacing

**GENERAL NOTES**

- All slope ratios are expressed as units of vertical displacement to units of horizontal displacement (V:H).
- All dimensions are in millimeters (inches) unless otherwise shown.
- The existing steel posts may be drilled to match the bolt pattern shown herein for the wood block-out, or a new steel post shall be provided.
- This detail is applicable to the guardrail system used prior to January 1, 2007. For details on the Midwest Guardrail System, see Standard 630001.



**SECTION B-B**

**REMOVE AND REERECT  
STEEL PLATE BEAM GUARDRAIL**  
(Sheet 1 of 4)

**DETAIL**