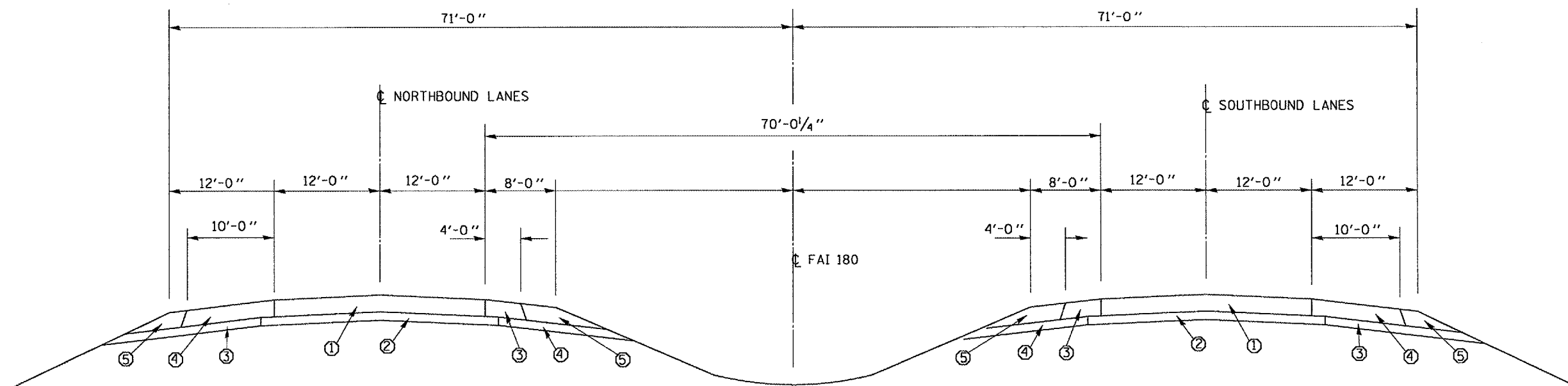


F.A.I. RTE.	SECTION	COUNTY	TOTAL SHEETS	SHEET NO.
180	06-101	BUREAU	10	4
FED. ROAD DIST. NO.	ILLINOIS			



- LEGEND**
- ① CRC PAVEMENT
 - ② STABILIZED SUB-BASE 4'
 - ③ STABILIZED SHOULDER
 - ④ AGGREGATE SUB-BASE, TYPE C 4"
 - ⑤ EMBANKMENT

- LEGEND**
- ① CRC PAVEMENT
 - ② STABILIZED SUB-BASE 4'
 - ③ STABILIZED SHOULDER
 - ④ AGGREGATE SUB-BASE, TYPE C 4"
 - ⑤ EMBANKMENT

TYPICAL SECTION

Date: 10/30/2007
c:/projects/cm316/detclis.dgn

REVISIONS	
NAME	DATE

ILLINOIS DEPARTMENT OF TRANSPORTATION
TYPICAL SECTION
 FAI ROUTE 180 (I-180) SECTION 06-101
 STA. 157+00
 BUREAU COUNTY
 S.N. 006-2000