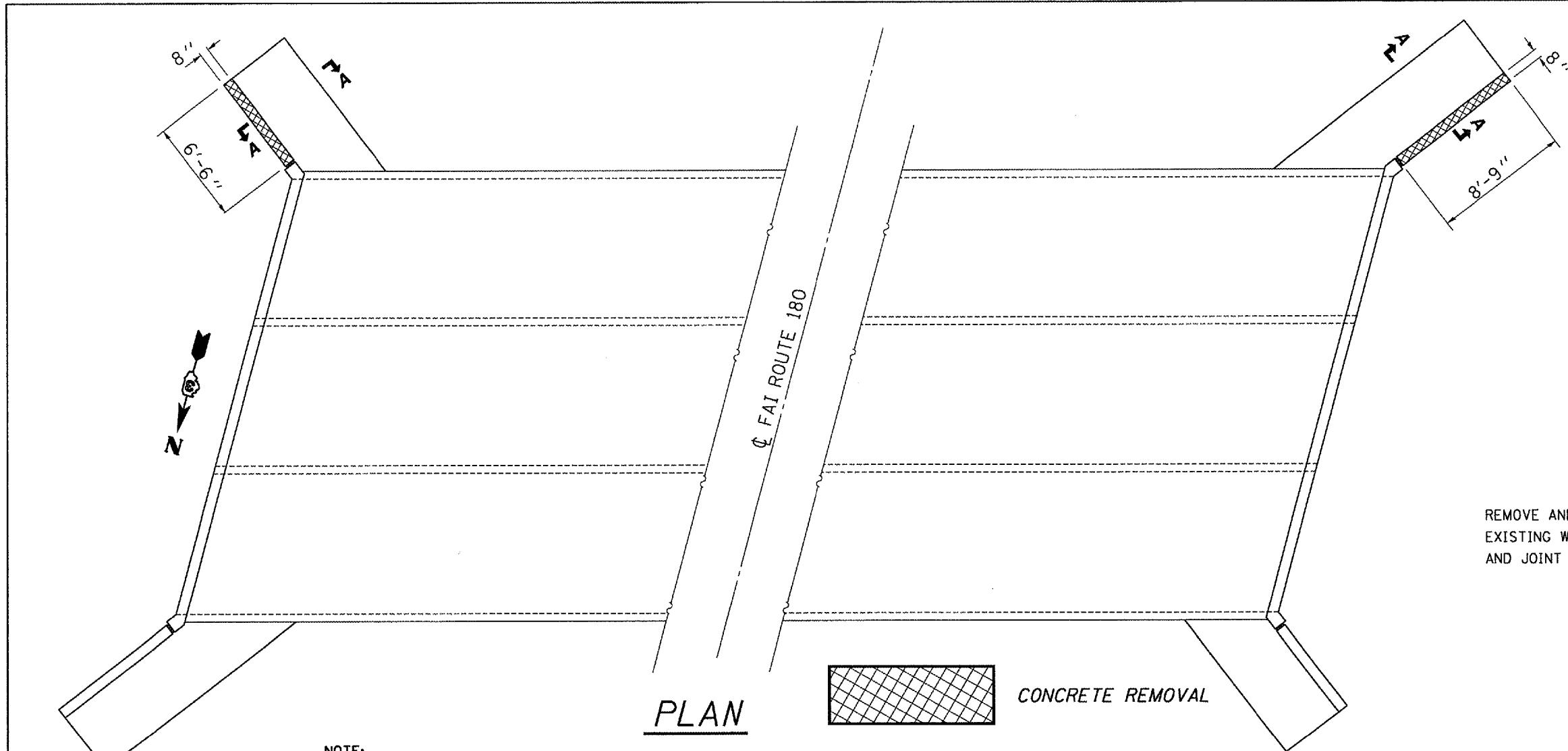


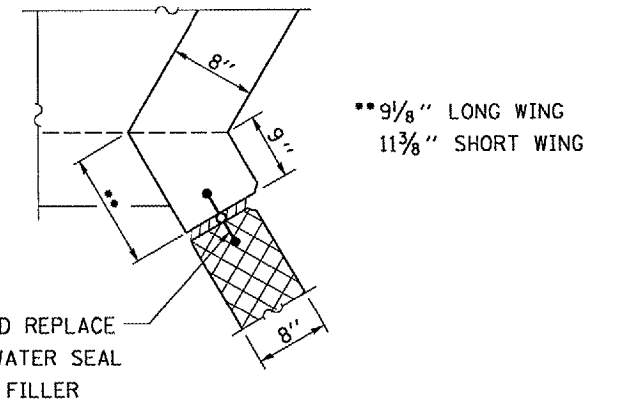
F.A.I. RTE.	SECTION	COUNTY	TOTAL SHEETS	SHEET NO.
180	(06-1)I	BUREAU	10	8
FED. ROAD DIST. NO.	ILLINOIS			



**PLAN**

CONCRETE REMOVAL

**NOTE:**  
EXISTING VERTICAL REINFORCEMENT SHALL BE CUT OFF FLUSH WITH EXISTING CONCRETE FOOTING.



**CORNER DETAIL**

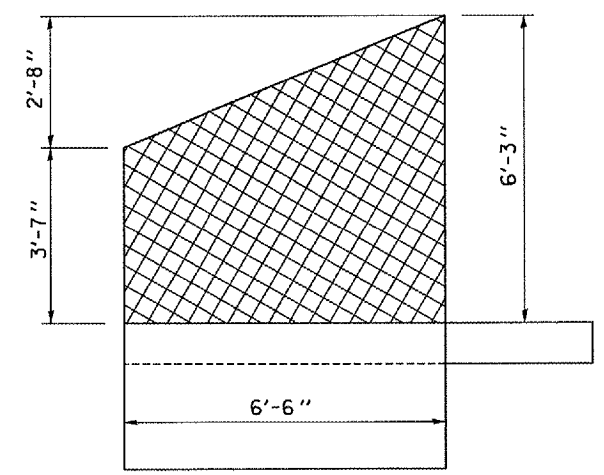
REMOVE AND REPLACE EXISTING WATER SEAL AND JOINT FILLER

**BILL OF MATERIAL  
LONG WING**

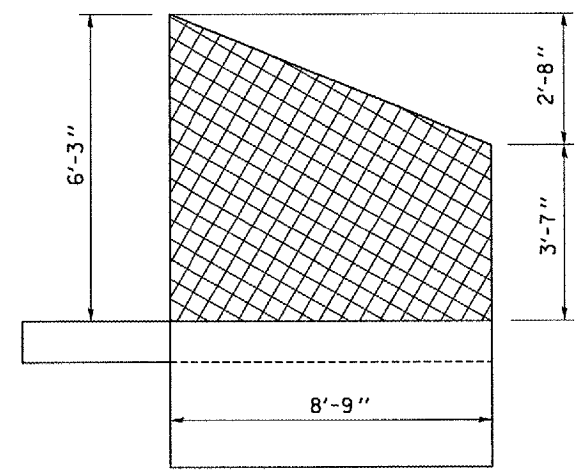
CONCRETE REMOVAL	CU. YD.	1.1
------------------	---------	-----

**BILL OF MATERIAL  
SHORT WING**

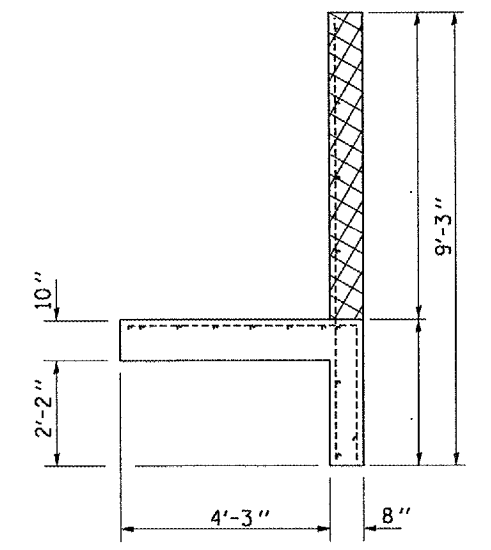
CONCRETE REMOVAL	CU. YD.	0.8
------------------	---------	-----



**SHORT WING**



**LONG WING**



**SECTION A-A**

Date: 10/30/2007  
c:\projects\cmaln08\cm316\details.dgn

REVISIONS	NAME	DATE

ILLINOIS DEPARTMENT OF TRANSPORTATION  
**CONCRETE REMOVAL**  
FAI ROUTE 180 (I-180) SECTION (06-1)I  
STA. 157+00  
BUREAU COUNTY  
S.M. 006-2000