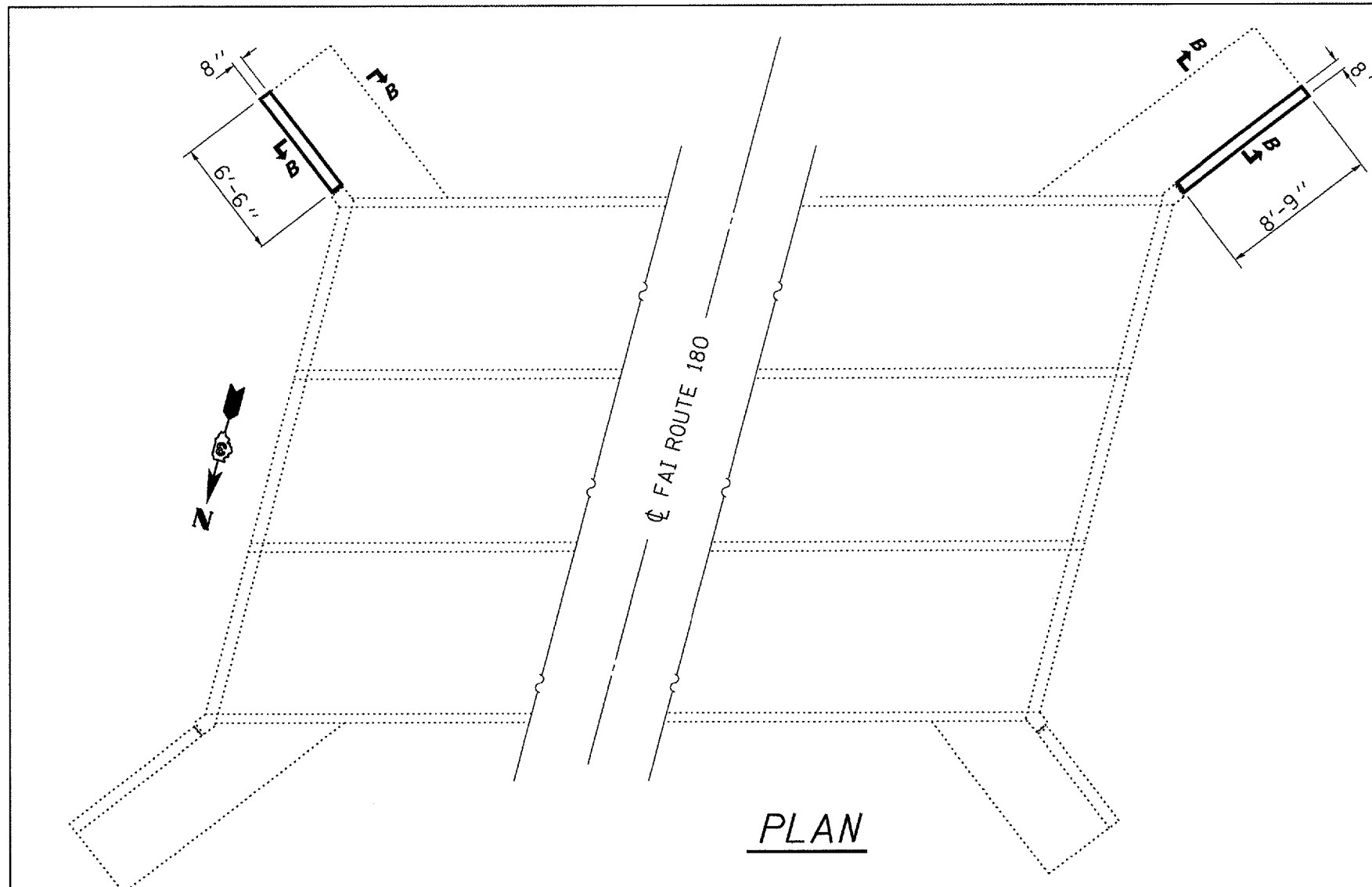
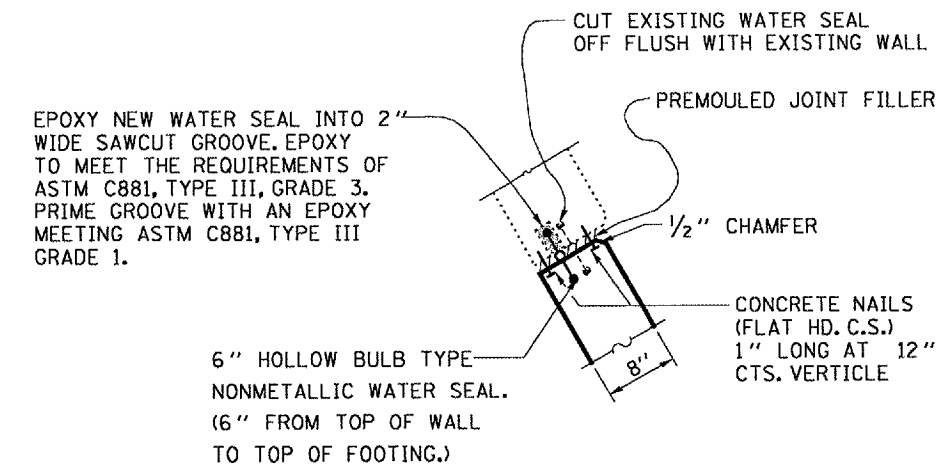


F.A.I. RTE.	SECTION	COUNTY	TOTAL SHEETS	SHEET NO.
180	(06-1)I	BUREAU	10	9
FED. ROAD DIST. NO.		ILLINOIS		



**PLAN**



**CORNER DETAIL**

COST INCLUDED WITH "CONCRETE BOX CULVERTS"

**BILL OF MATERIAL  
SHORT WING**

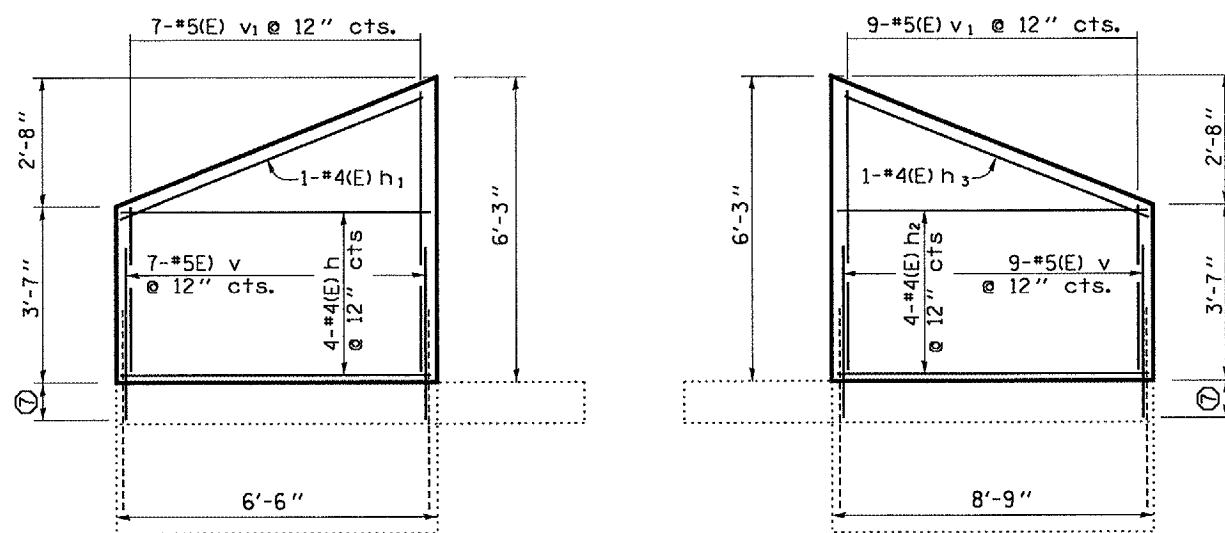
Bar	No.	Size	Length	Shape
h	4	#4 (E)	6'-3"	—
h <sub>1</sub>	1	#4 (E)	6'-9"	—
v	7	#5 (E)	2'-9"	—
v <sub>1</sub>	7	#5 (E)	6'-0"	—
CONCRETE REMOVAL			Cu. Yd.	0.8
CONCRETE BOX CULVERTS			Cu. Yd.	0.8
REINFORCEMENT BARS EPOXY COATED			Pound	90

**BILL OF MATERIAL  
LONG WING**

Bar	No.	Size	Length	Shape
h <sub>2</sub>	4	#4 (E)	8'-6"	—
h <sub>3</sub>	1	#4 (E)	8'-10"	—
v	9	#5 (E)	2'-9"	—
v <sub>1</sub>	9	#5 (E)	6'-0"	—
CONCRETE REMOVAL			Cu. Yd.	1.1
CONCRETE BOX CULVERTS			Cu. Yd.	1.1
REINFORCEMENT BARS EPOXY COATED			Pound	110

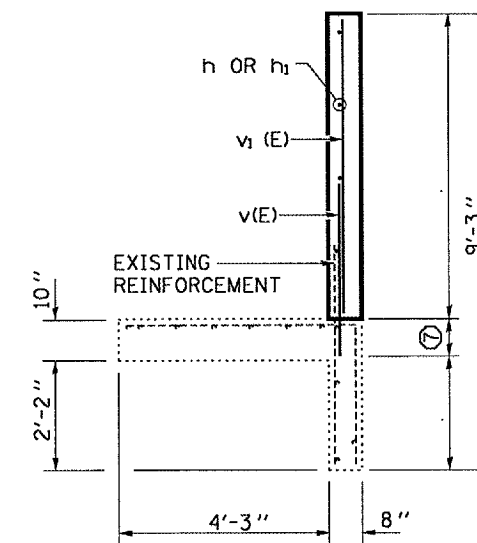
(E) DENOTES EPOXY COATED

⑦ DRILL AND EPOXY GROUT v(E) BAR A MINIMUM OF 9" INTO EXISTING FOOTING



**SHORT WING**

**LONG WING**



**SECTION B-B**

Date: 10/30/2007  
c:/projects/cmdln08/cm316/details.dgn

REVISIONS	
NAME	DATE

ILLINOIS DEPARTMENT OF TRANSPORTATION  
**CONCRETE BOX CULVERTS**  
FAI ROUTE 180 (I-180) SECTION (06-1)I  
STA. 157+00  
BUREAU COUNTY  
S.N. 006-2000