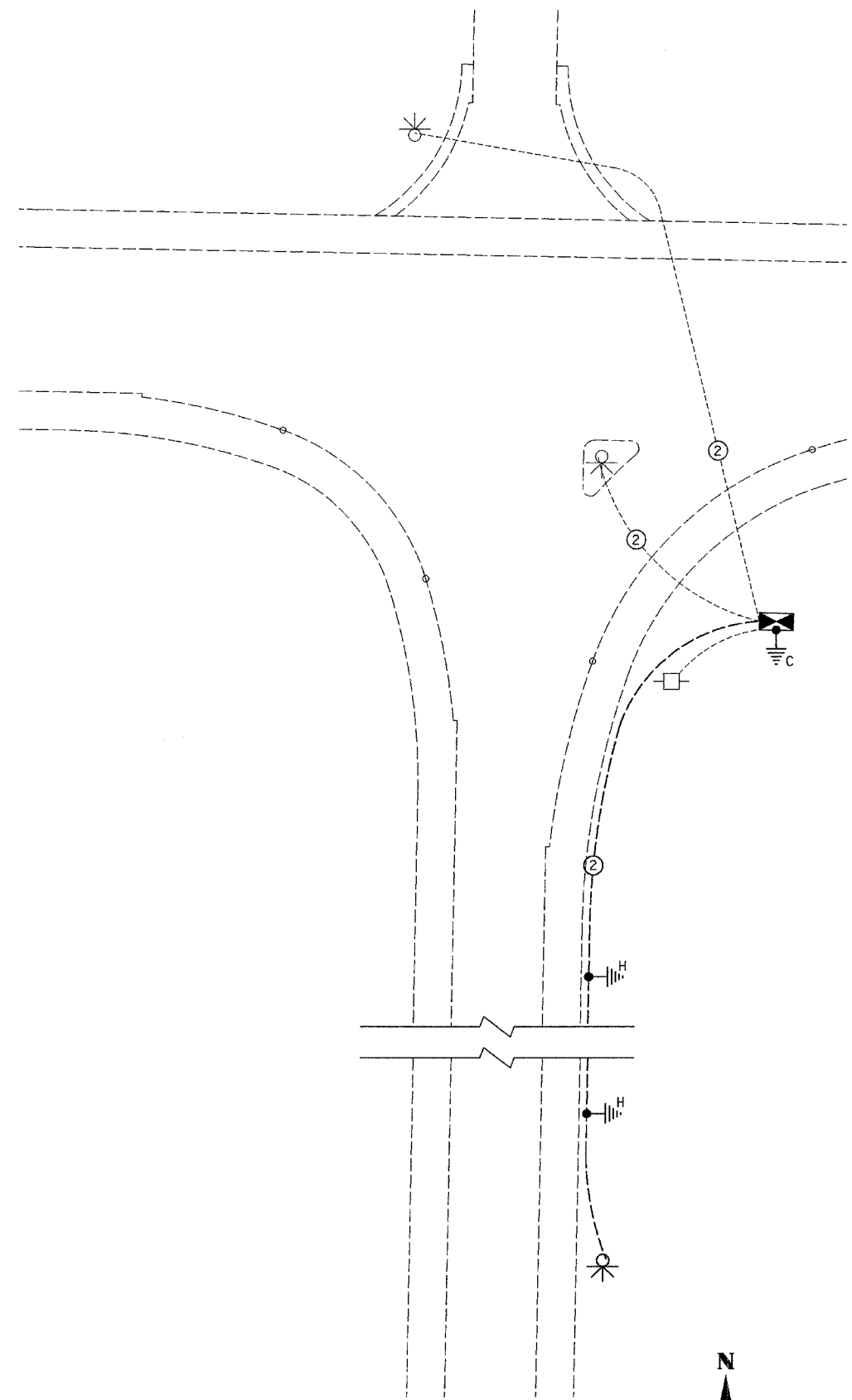


F.A.P. RTE.	SECTION	COUNTY	TOTAL SHEETS	SHEET NO.
68	(3)I	LASALLE	5	5
STA.		TO STA.		
FED. ROAD DIST. NO.		ILLINOIS FED. AID PROJECT		



TRAFFIC SIGNALS LEGEND		
EXISTING	PROPOSED	
	⊙	DETNOTES NUMBER OF CONDUCTORS (NEW) ALL CABLE NO. 14 EXCEPT AS INDICATED
□		SERVICE INSTALLATION
	▬	FLASHER CONTROLLER
⋈	⋈	12" FLASHER BEACON
	⋈	GROUND ROD AT POST (P) OR MAST ARM (MA) OR CONTROLLER (C) OR SERVICE INSTALLATION (S) OR HANDHOLE (H)

PROPOSED CABLE PLAN
NOT TO SCALE

REVISIONS	
NAME	DATE

ILLINOIS DEPARTMENT OF TRANSPORTATION

CABLE PLAN
FAP 68 (IL 23)
SECTION (3)I
LASALLE COUNTY

SCALE: VERT.
HORIZ.
DATE 07/07

DRAWN BY NOE
CHECKED BY JLS