

F.A.P. RTE.	SECTION	COUNTY	TOTAL SHEETS	SHEET NO.
68	(31)	LASALLE	5	1

INDEX OF SHEETS

- COVER SHEET
- GENERAL NOTES
- SUMMARY OF QUANTITIES
- TRAFFIC SIGNAL PLAN
- CABLE PLAN

**STATE OF ILLINOIS
DEPARTMENT OF TRANSPORTATION
DIVISION OF HIGHWAYS**

**PROPOSED
HIGHWAY PLANS**

**FAP 68 (IL 23)
SECTION (31)
LASALLE COUNTY
C-93-009-08**

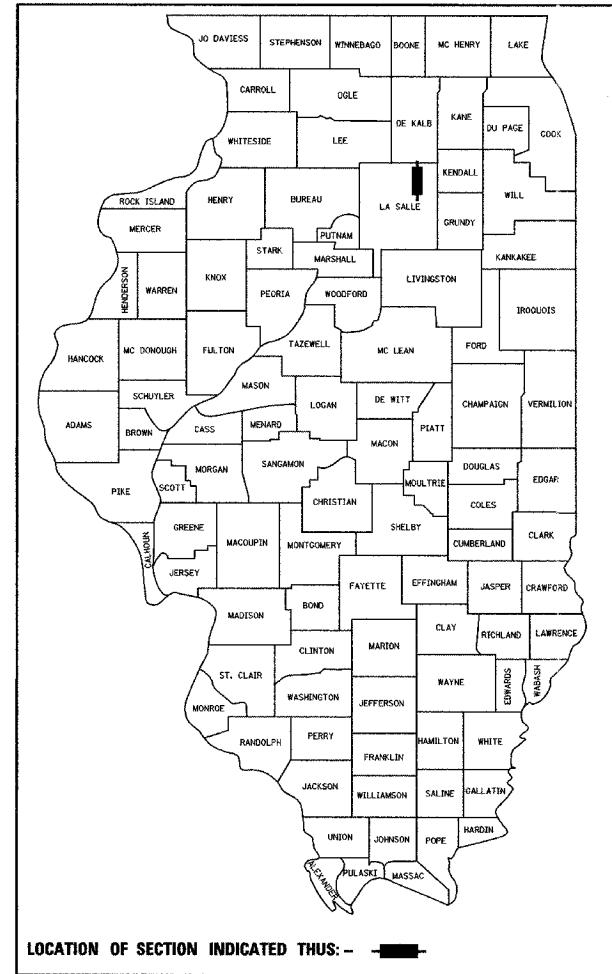
PROJECT NO.: ACHSIP-0068(102)

**FLASHING BEACON REPLACEMENT
IL 23 AND US ROUTE 34**

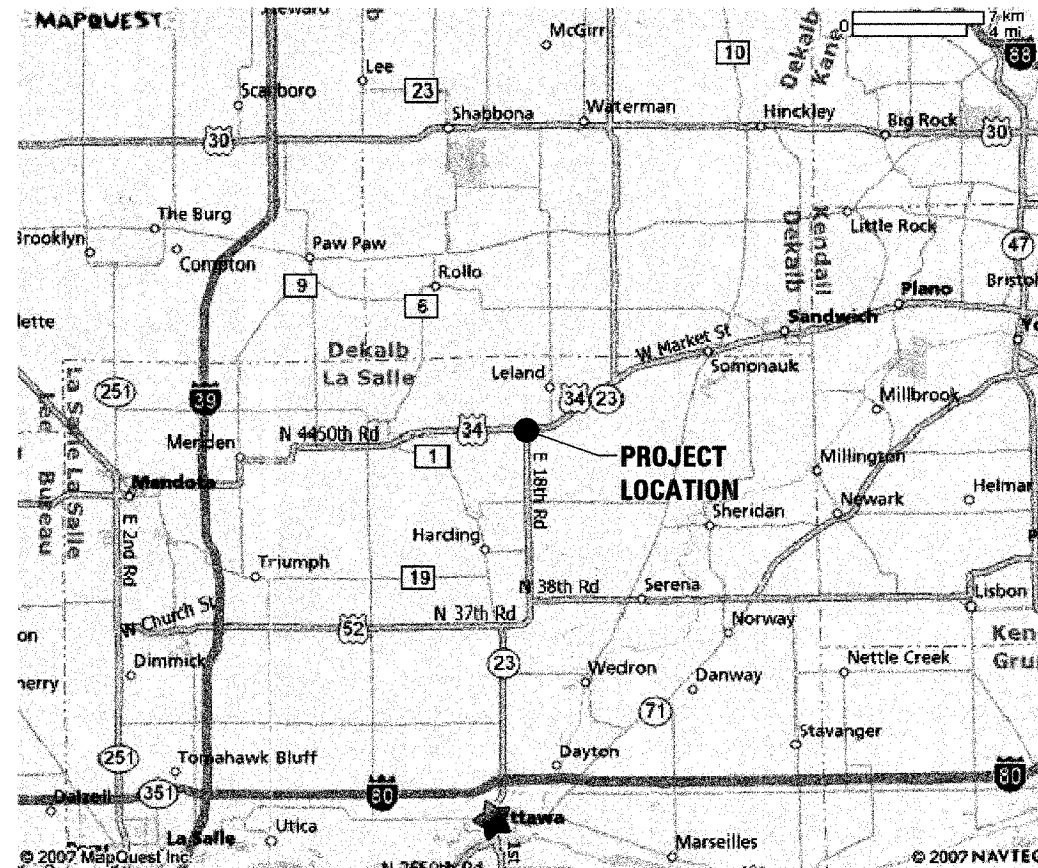
HIGHWAY STANDARDS

- 000001-05 Standard Symbols, Abbreviations, and Patterns
- 701001-01 Off-Road Operations, 2L, 2W, More Than 4.5m (15') Away
- 701006-02 Off-Road Operations, 2L, 2W, 4.5m (15') to 600mm (24") From Pavement Edge
- 701201-02 Lane Closure, 2L, 2W, Day Only, for Speeds \geq 45 MPH
- 701301-02 Lane Closure, 2L, 2W, Short Time Operations
- 701901 Traffic Control Devices
- 814001-01 Handholes
- 873001-01 Traffic Signal Grounding & Bonding
- 880001 Span Wire Mounted Signals and Flashing Beacon Installation

D-93-007-08



OTHER PRINCIPAL ARTERIAL
FAR 68 (IL 23)
ADT = 1,800 (2005)



**LOCATION MAP
SPOT IMPROVEMENT**

10-17-2007
date

expires 11-30-2007

Jorge L. Sanchez
signature

PROFESSIONAL DESIGN FIRM
LICENSE NO. 184-001717

STATE OF ILLINOIS
DEPARTMENT OF TRANSPORTATION
DIVISION OF HIGHWAYS

SUBMITTED Oct 19 20 07

Marcus Roman
DEPUTY DIRECTOR OF HIGHWAYS, REGION ENGINEER

December 7, 20 07

Eric E. Harrell
ENGINEER OF DESIGN AND ENVIRONMENT

December 7, 20 07

Christine M. Reed
DIRECTOR OF HIGHWAYS, CHIEF ENGINEER

**PRINTED BY THE AUTHORITY
OF THE STATE OF ILLINOIS**

MICROFILMED _____
REEL NUMBER _____
AWARDED _____
RESIDENT ENGINEER _____
AS BUILT CHANGES WERE MADE
ON THE FOLLOWING SHEETS _____

DISTRICT 3 NO. (815) 434-6131
PROJECT ENGINEER: TOM HUFNAGEL
UNIT CHIEF: DAN DEVINE

J.U.L.I.E.
JOINT UTILITY LOCATION INFORMATION FOR EXCAVATION
1-800-892-0123



CONTRACT NO. 66735

F.A.P. RTE.	SECTION	COUNTY	TOTAL SHEETS	SHEET NO.
68	(3)I	LASALLE	5	2
STA.		TO STA.		
FED. ROAD DIST. NO. _		ILLINOIS	FED. AID PROJECT	

GENERAL NOTES

1. THE CONTRACTOR'S ATTENTION IS DIRECTED TO THE PRESENCE OF DEPARTMENT-OWNED UNDERGROUND ELECTRICAL CABLE WITHIN THE LIMITS OF THE PROPOSED IMPROVEMENTS. THE CONTRACTOR SHALL REQUEST THE ILLINOIS DEPARTMENT OF TRANSPORTATION IN OTTAWA (815-434-8417) TO LOCATE THE UNDERGROUND FACILITIES, PROVIDING A MINIMUM OF 72 HOURS NOTICE. THE DEPARTMENT IS NOT A MEMBER OF THE JOINT UTILITY LOCATING INFORMATION FOR EXCAVATORS (JULIE) SYSTEM.
2. ALL DAMAGE TO DEPARTMENT OWNED UNDERGROUND FACILITIES, CAUSED BY THE CONTRACTOR SHALL BE REPAIRED TO THE SATISFACTION OF THE DEPARTMENT AT THE CONTRACTOR'S EXPENSE. THIS SHALL INCLUDE ALL TEMPORARY REPAIRS REQUIRED TO KEEP THE FACILITY OPERATIONAL WHILE MATERIAL IS BEING OBTAINED TO MAKE PERMANENT REPAIRS. SPLICING OF ELECTRIC CABLE SHALL NOT BE ALLOWED. ELECTRIC CABLE SHALL BE REPLACED FROM POLE TO POLE OR CONTROLLER.
3. MEMBERS OF JULIE KNOWN TO BE WITHIN THE LIMITS OF THE IMPROVEMENT ARE: COM ED, COMCAST, NICOR GAS
4. ALL TRAFFIC SIGNAL HEADS SHALL BE 12" UNLESS OTHERWISE NOTED.
5. ALL CONDUIT IN TRENCH SHALL BE P.V.C. ALL CONDUIT PUSHED MAY BE GALVANIZED STEEL OR P.V.C. CONDUIT ATTACHED TO STRUCTURES SHALL BE GALVANIZED STEEL.
6. A 1/4" DIAMETER CONTINUOUS NYLON ROPE SHALL BE FURNISHED AND LEFT IN PLACE IN ALL CONDUITS BETWEEN HANDHOLES AND FOUNDATIONS OR CONTROLLER AS INCIDENTAL TO THE RESPECTIVE CONDUIT PAY ITEM.
7. THE CONTRACTOR SHALL ARRANGE FOR A FACTORY OR SUPPLIER REPRESENTATIVE TO BE PRESENT AT THE INTERSECTION WHEN THE SIGNAL IS TURNED ON, INCIDENTAL TO THE CONTROLLER PAY ITEM.
8. THE DEPARTMENT OF TRANSPORTATION (815-434-8505) SHALL BE NOTIFIED AT LEAST 72 HOURS PRIOR TO THE TURNING ON OF THE CONTROLLER UNIT.
9. THE CONTRACTOR SHALL BE RESPONSIBLE FOR REPORTING THE NEW ELECTRICAL LOADS FOR THE UNMETERED SERVICES ON THIS IMPROVEMENT TO THE UTILITY COMPANY AND AGENCY RESPONSIBLE FOR ENERGY CHARGES; ILLINOIS DEPT. OF TRANSPORTATION, 700 E. NORRIS DRIVE, OTTAWA, IL. 61350
10. NO ADDITIONAL COMPENSATION WILL BE ALLOWED FOR PLACING CONDUIT AT GREATER THAN 2 FEET MINIMUM DEPTH TO AVOID OBSTACLES SUCH AS UNDERGROUND UTILITIES.
11. THE ELECTRICAL CONDUCTORS FOR ALL TRAFFIC SIGNAL HEADS SHALL BE SOLID, SOFT COPPER.
12. THE CONTRACTOR IS RESPONSIBLE FOR THE COST OF UNCOVERING OR HAND DIGGING AROUND UTILITIES, AS NECESSARY, INCIDENTAL TO THE CONDUIT PAY ITEM.
13. ALL THREADS OF BOLTS USED IN TRAFFIC COMPONENT ASSEMBLIES SHALL BE COATED WITH A NON-LEAD BASED ANTI-SEIZE COMPOUND, SIMILAR TO LEAD PLATE, PRIOR TO ASSEMBLY.
14. BACK PLATES MUST BE POLYCARBONATE WITH A DEEP BACK FLANGE.
15. THE CONTRACTOR SHALL PROVIDE 3 FEET SLACK CABLE IN EACH TRAFFIC SIGNAL STRUCTURE: MAST ARM, POST, CONTROLLER. THE SLACK, WHICH IS IN ADDITION TO THE VERTICAL LENGTH OF CABLE DEFINED IN THE SPECIFICATIONS, SHALL BE PAID FOR AT THE CONTRACT UNIT PRICE FOR EACH CABLE.
16. ALL GROUNDING MATERIALS FOR TRAFFIC SIGNAL CONCRETE FOUNDATIONS SHALL REFER TO SECTION 807 IN THE STANDARD SPECIFICATIONS FOR ROAD AND BRIDGE CONSTRUCTION ADOPTED JANUARY 1, 2007.
17. SIGNAL AND PEDESTRIAN HEADS SHALL HAVE BLACK HOUSING AND BLACK POLYCARBONATE BRACKETS.

COMMITMENTS

NONE

STATE OF ILLINOIS
DEPARTMENT OF TRANSPORTATION
DIVISION OF HIGHWAYS
DISTRICT THREE

PREPARED BY: Bruce A. Hucker
DISTRICT OPERATIONS ENGINEER

DATE: 10/19/07

EXAMINED BY: Herbert K. Lewis
DISTRICT CONSTRUCTION ENGINEER

James R. Thaddeus
DISTRICT MATERIALS ENGINEER
Pat Paul
DISTRICT STUDIES & PLANS ENGINEER

REVISIONS	
NAME	DATE

ILLINOIS DEPARTMENT OF TRANSPORTATION
GENERAL NOTES
FAP 68 (IL 23)
SECTION (3)I
LASALLE COUNTY

SCALE: VERT. _____
HORIZ. _____
DATE 07/07
DRAWN BY NOE
CHECKED BY JLS

F.A.P. RTE.	SECTION	COUNTY	TOTAL SHEETS	SHEET NO.
68	(3)I	LASALLE	5	3
STA.		TO STA.		
FED. ROAD DIST. NO.		ILLINOIS	FED. AID PROJECT	

SUMMARY OF QUANTITIES

ITEM NO.	DESCRIPTION	UNIT	TOTAL QUANTITY	90% FED. / 10% STATE CONSTRUCTION CODE:
				Y031-1F
67100100	MOBILIZATION	L SUM	1	1
70100450	TRAFFIC CONTROL AND PROTECTION, STANDARD 701201	L SUM	1	1
81012500	CONDUIT IN TRENCH, 1 1/2" DIA., PVC	FOOT	896	896
81100500	CONDUIT ATTACHED TO STRUCTURE, 1 1/2" DIA., GALVANIZED STEEL	FOOT	20	20
81400700	HANDHOLE, PORTLAND CEMENT CONCRETE	EACH	2	2
81900200	^{AND} TRENCH BACKFILL FOR ELECTRICAL WORK	FOOT	896	896
85000500	MAINTENANCE OF EXISTING FLASHING BEACON INSTALLATION	EACH	1	1
85800100	FLASHER CONTROLLER	EACH	1	1
87301215	ELECTRIC CABLE IN CONDUIT, SIGNAL NO. 14 2C	FOOT	935	935
88040030	SIGNAL HEAD, POLYCARBONATE, LED, 1-FACE, 1-SECTION, POST MOUNTED	EACH	1	1
89502375	REMOVE EXISTING TRAFFIC SIGNAL EQUIPMENT	EACH	1	1
X8730027	ELECTRIC CABLE IN CONDUIT, GROUNDING, NO. 6 1C	FOOT	624	624

PLOT DATE = 07/07
 FILE NAME = NOTES.DGN
 PLOT SCALE =
 USER NAME = NOE

REVISIONS	
NAME	DATE

ILLINOIS DEPARTMENT OF TRANSPORTATION
 SUMMARY OF QUANTITIES
 FAP 68 (IL 23)
 SECTION (3)I
 LASALLE COUNTY

SCALE: VERT.
 HORIZ.
 DATE 07/07

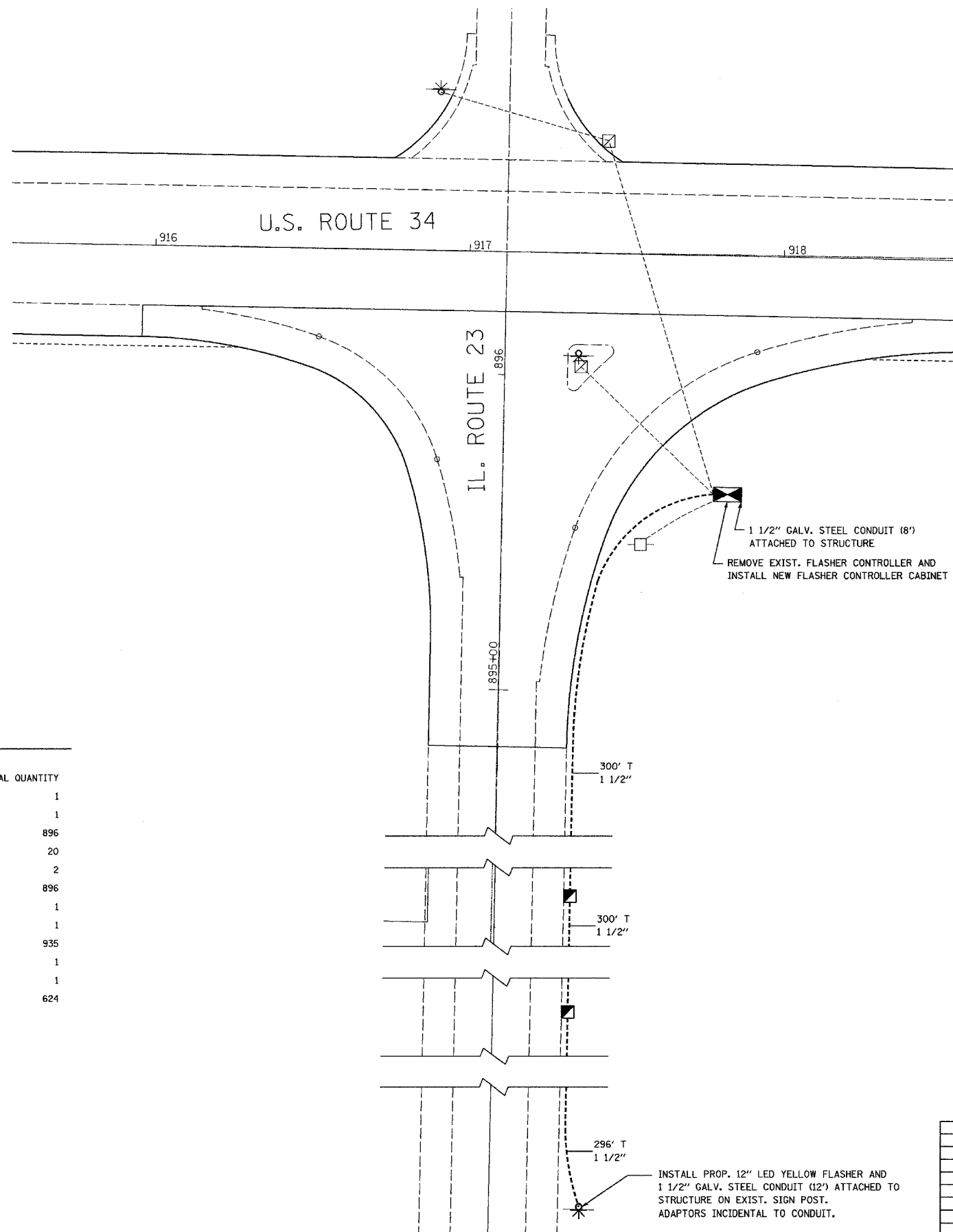
DRAWN BY NOE
 CHECKED BY JLS

F.A.P. RTE.	SECTION	COUNTY	TOTAL SHEETS	SHEET NO.
68	(3)I	LASALLE	5	4
STA.		TO STA.		
FED. ROAD DIST. NO.		ILLINOIS FED. AID PROJECT		

CONSTRUCTION NOTES:

CONTRACTOR SHALL REPLACE THE EXISTING SOLAR POWER FLASHER BEACON ATOP THE EXISTING STOP AHEAD SIGN WITH A HARD WIRED FLASHER BEACON
 REMOVAL OF THE FOLLOWING ITEMS SHALL BE PAID FOR AS REMOVE EXISTING TRAFFIC SIGNAL EQUIPMENT:
 1 EACH - SOLAR POWERED FLASHER BEACON

GRAPHIC SCALE



TRAFFIC SIGNALS LEGEND

EXISTING	PROPOSED	
		SERVICE INSTALLATION
		FLASHER CONTROLLER
		CONDUIT
		SIGNAL HEAD WITH BACKPLATE
		HANDHOLE

SCHEDULE OF QUANTITIES

ITEM NO.	DESCRIPTION	UNIT	TOTAL QUANTITY
67100100	MOBILIZATION	L SUM	1
70100450	TRAFFIC CONTROL AND PROTECTION, STANDARD 701201	L SUM	1
81012500	CONDUIT IN TRENCH, 1 1/2" DIA., PVC	FOOT	896
81100500	CONDUIT ATTACHED TO STRUCTURE, 1 1/2" DIA., GALVANIZED STEEL	FOOT	20
81400700	HANDHOLE, PORTLAND CEMENT CONCRETE	EACH	2
81900200	TRENCH BACKFILL FOR ELECTRICAL WORK	FOOT	896
85000500	MAINTENANCE OF EXISTING FLASHING BEACON INSTALLATION	EACH	1
85800100	FLASHER CONTROLLER	EACH	1
87301215	ELECTRIC CABLE IN CONDUIT, SIGNAL NO. 14 2C	FOOT	935
88040030	SIGNAL HEAD, POLYCARBONATE, LED, 1-FACE, 1-SECTION, POST MOUNTED	EACH	1
89502375	REMOVE EXISTING TRAFFIC SIGNAL EQUIPMENT	EACH	1
X8730027	ELECTRIC CABLE IN CONDUIT, GROUNDING, NO. 6 1C	FOOT	624

REVISIONS	
NAME	DATE

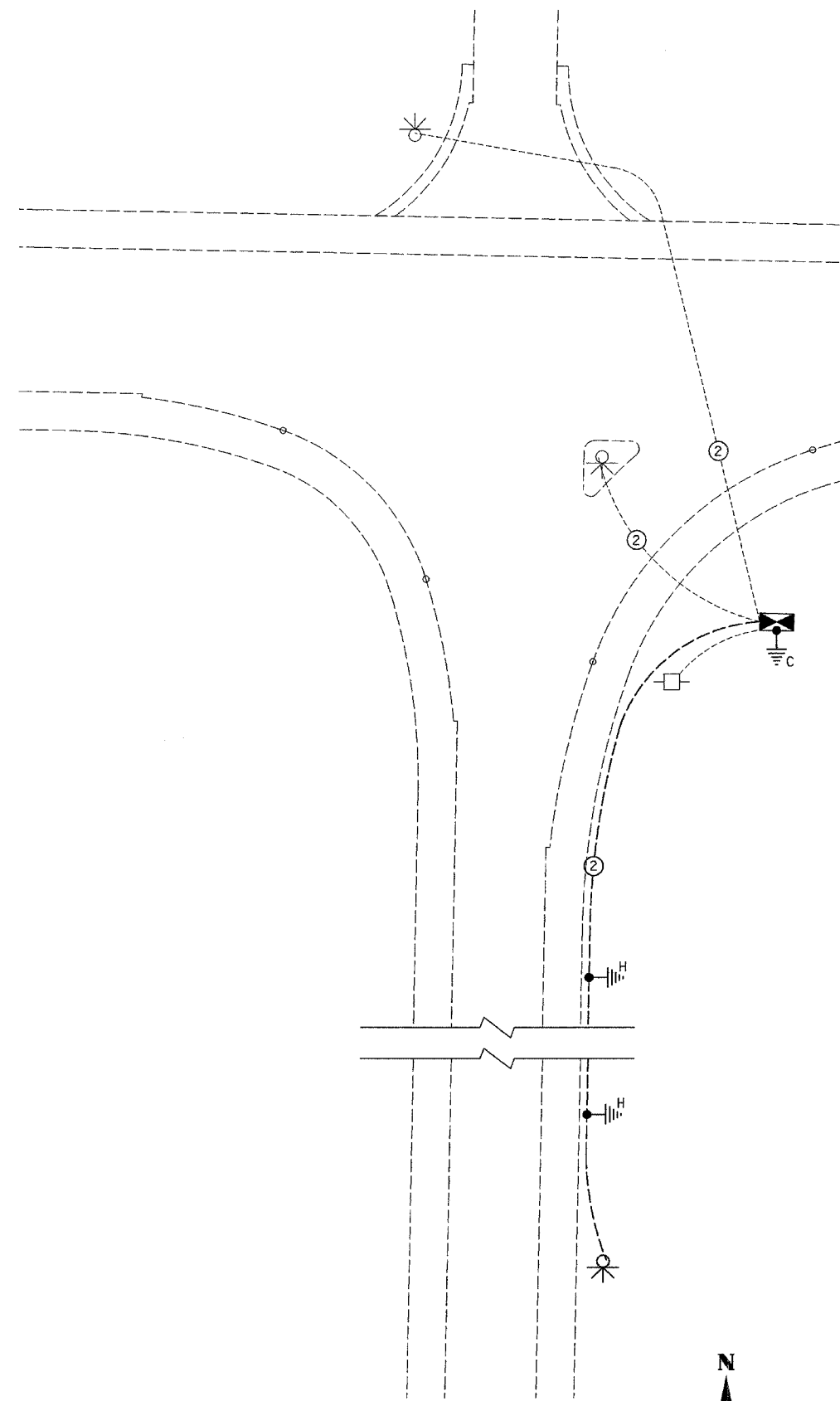
ILLINOIS DEPARTMENT OF TRANSPORTATION
TRAFFIC SIGNAL PLAN
 FAP 68 (IL 23)
 SECTION (3)I
 LASALLE COUNTY

SCALE: VERT. 1" = 20'
 HORIZ. 1" = 20'
 DATE 07/07

DRAWN BY NOE
 CHECKED BY JLS

PLOT DATE = 07/07
 FILE NAME = TSP.LANDJON
 PLOT SCALE = 1" = 20'
 USER NAME = NOE

F.A.P. RTE.	SECTION	COUNTY	TOTAL SHEETS	SHEET NO.
68	(3)I	LASALLE	5	5
STA.		TO STA.		
FED. ROAD DIST. NO. _		ILLINOIS FED. AID PROJECT		



TRAFFIC SIGNALS LEGEND		
EXISTING	PROPOSED	
	⊙	DETNOTES NUMBER OF CONDUCTORS (NEW) ALL CABLE NO. 14 EXCEPT AS INDICATED
□		SERVICE INSTALLATION
	⊠	FLASHER CONTROLLER
⊗	⊗	12" FLASHER BEACON
	⋮—●	GROUND ROD AT POST (P) OR MAST ARM (MA) OR CONTROLLER (C) OR SERVICE INSTALLATION (S) OR HANDHOLE (H)

PROPOSED CABLE PLAN
NOT TO SCALE

REVISIONS	
NAME	DATE

ILLINOIS DEPARTMENT OF TRANSPORTATION
CABLE PLAN
 FAP 68 (IL 23)
 SECTION (3)I
 LASALLE COUNTY

SCALE: VERT.
HORIZ.
DATE 07/07

DRAWN BY NOE
CHECKED BY JLS