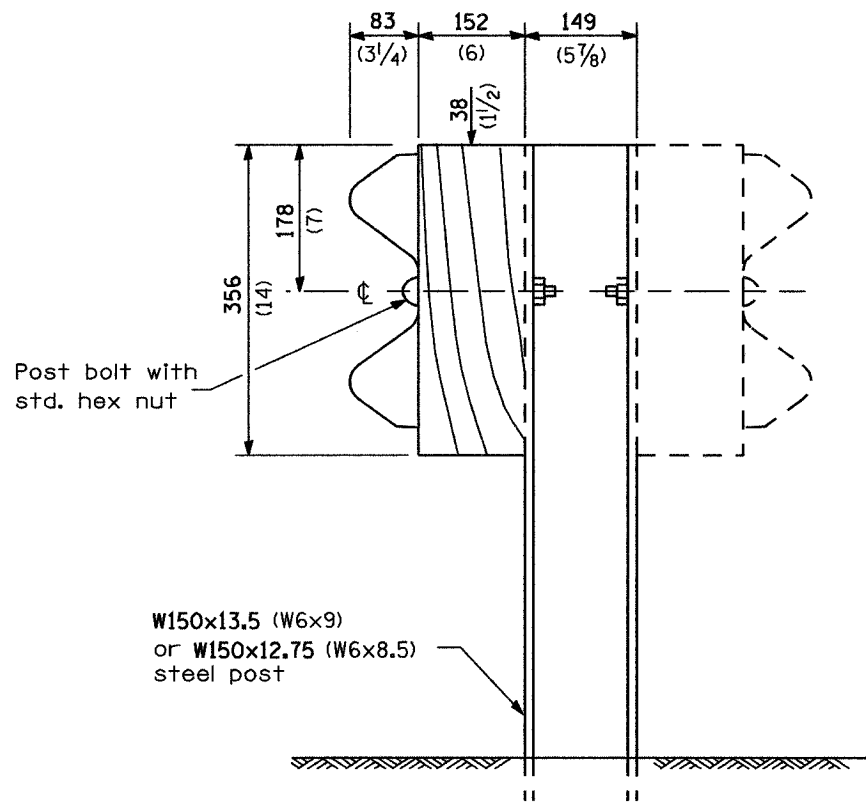
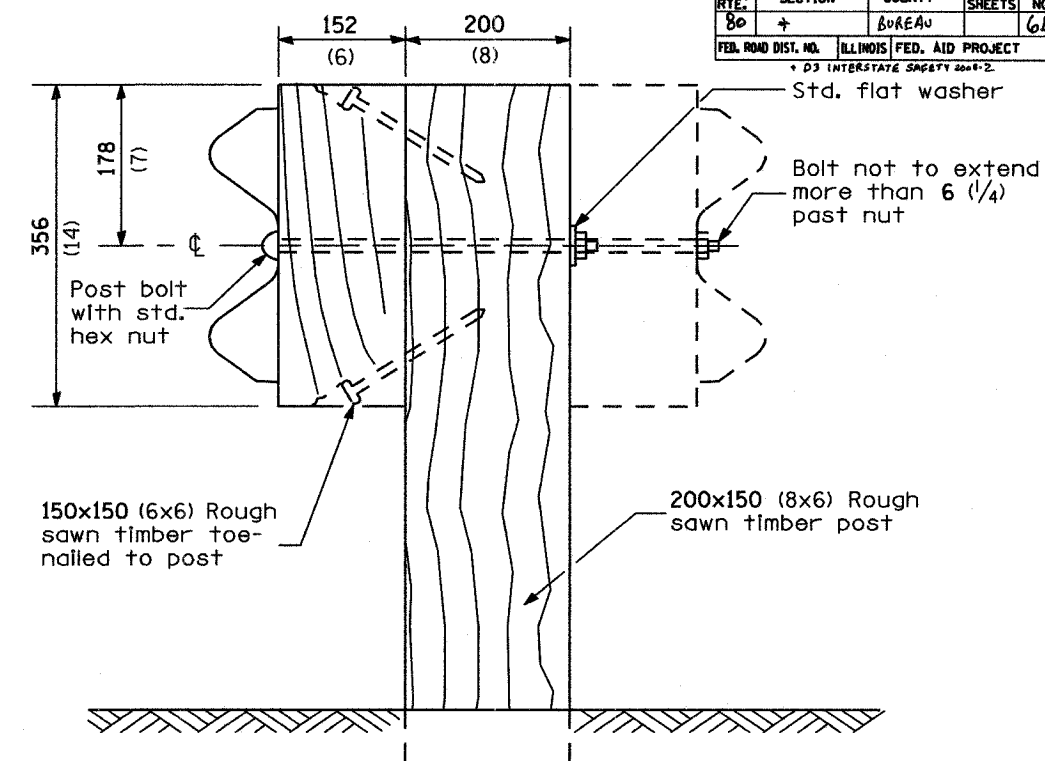


F.A.T. RTE.	SECTION	COUNTY	TOTAL SHEETS	SHEET NO.
80	+	BUREAU		68

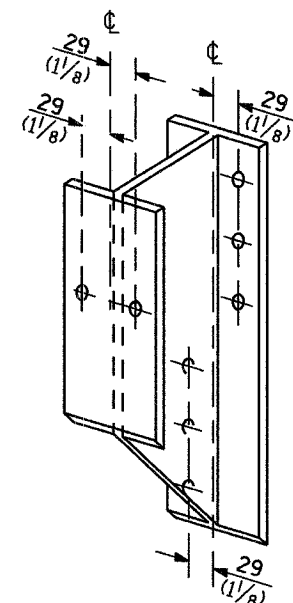
FEL. ROAD DIST. NO. ILLINOIS FED. AID PROJECT  
 \* D3 INTERSTATE SAFETY 2004-2



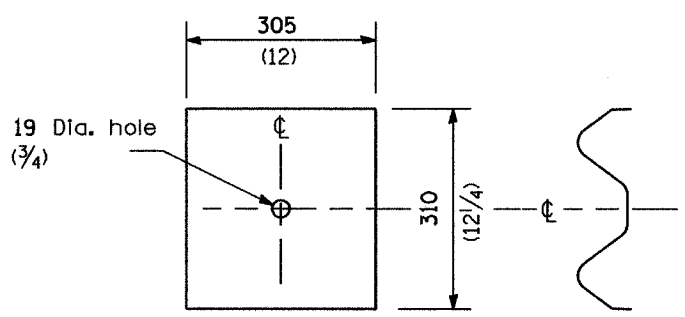
**STEEL POST CONSTRUCTION**



**WOOD POST CONSTRUCTION**



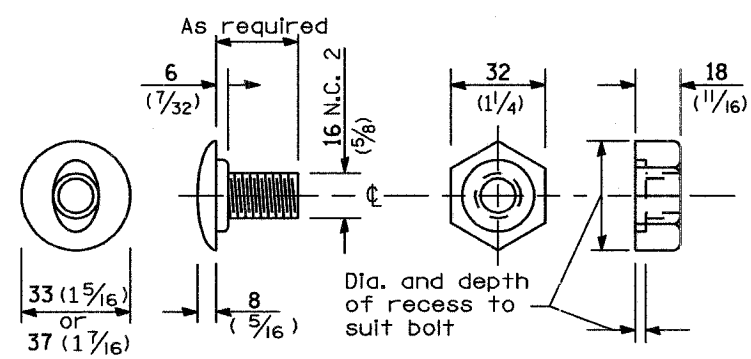
**STEEL BLOCK-OUT DETAIL**



NOTE

Plate A shall be placed between rail element and block-out at non-splice mounting points only when steel block-outs are used.

**PLATE A**



**POST OR SPLICE BOLT & NUT**

**REMOVE AND REERECT STEEL PLATE BEAM GUARDRAIL**

(Sheet 2 of 4)

**DETAIL**