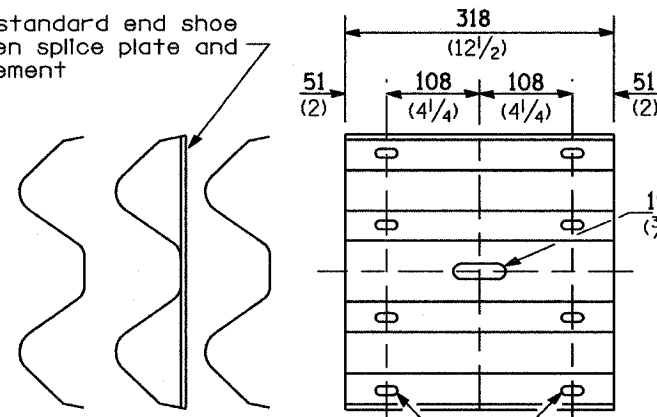


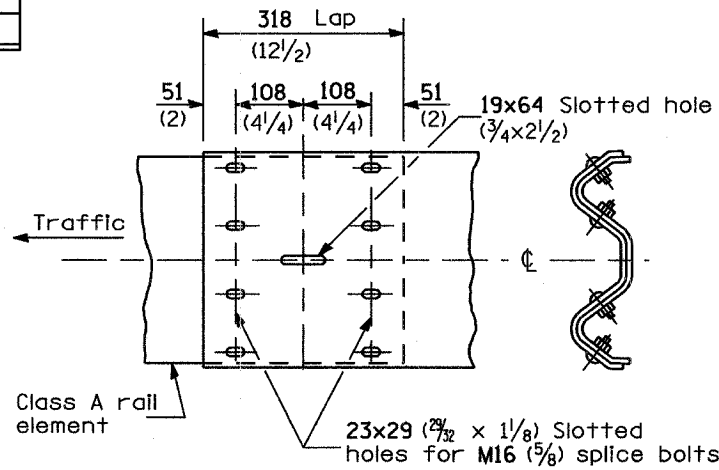
F.A.T. RITE.	SECTION	COUNTY	TOTAL SHEETS	SHEET NO.
80	*	BUREAU		6C
FED. ROAD DIST. NO.		ILLINOIS	FED. AID PROJECT	
* D3 INTERSTATE SAFETY 2008-L				

Place standard end shoe between splice plate and rail element

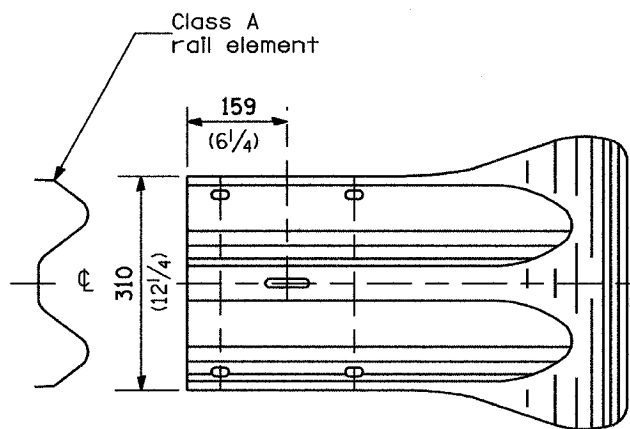
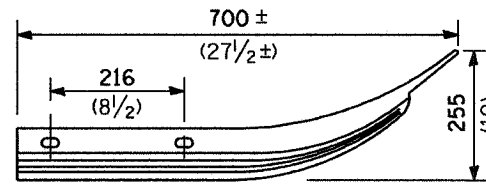


23x29 Slotted holes (7/32 x 1/8)

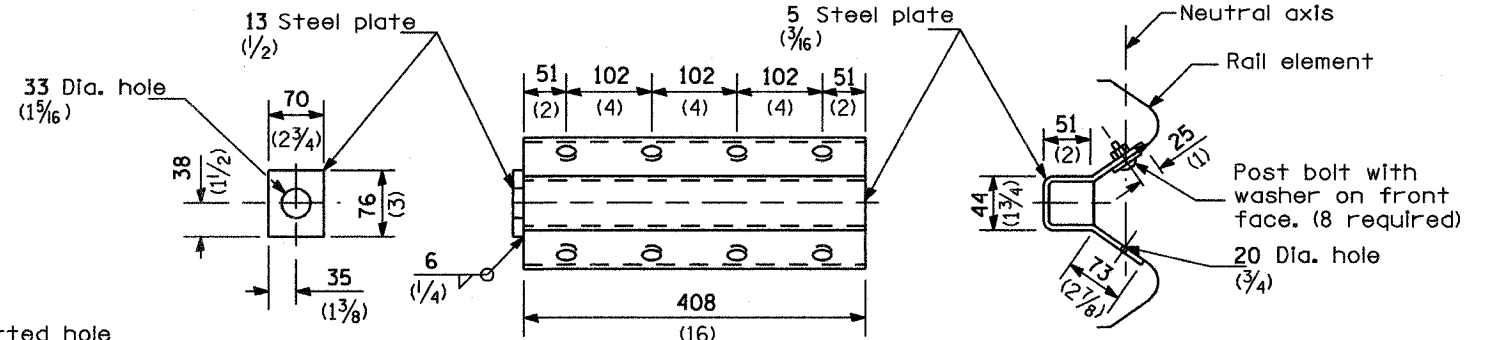
**SPLICE PLATE**



**RAIL ELEMENT SPLICE**



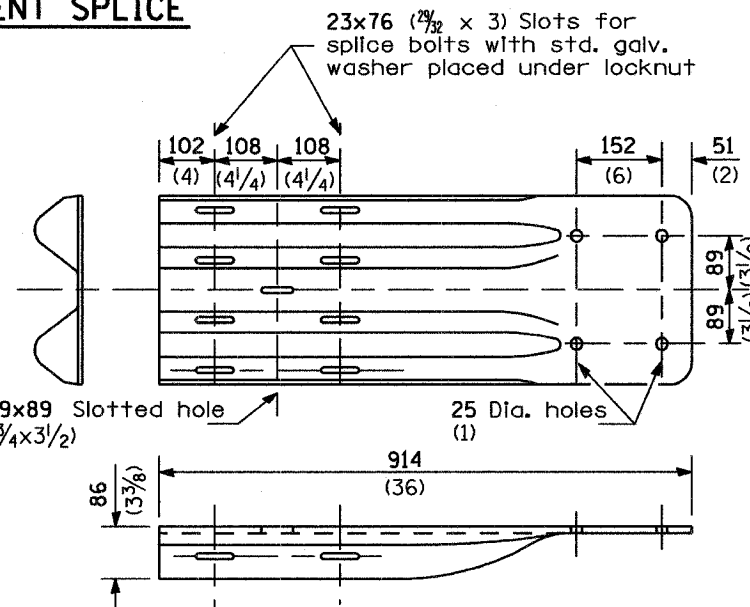
**END SECTION**



NOTE

Anchor plate T shall be used to attach cable assembly to guardrail when required on traffic barrier terminals.

**ANCHOR PLATE T DETAILS**



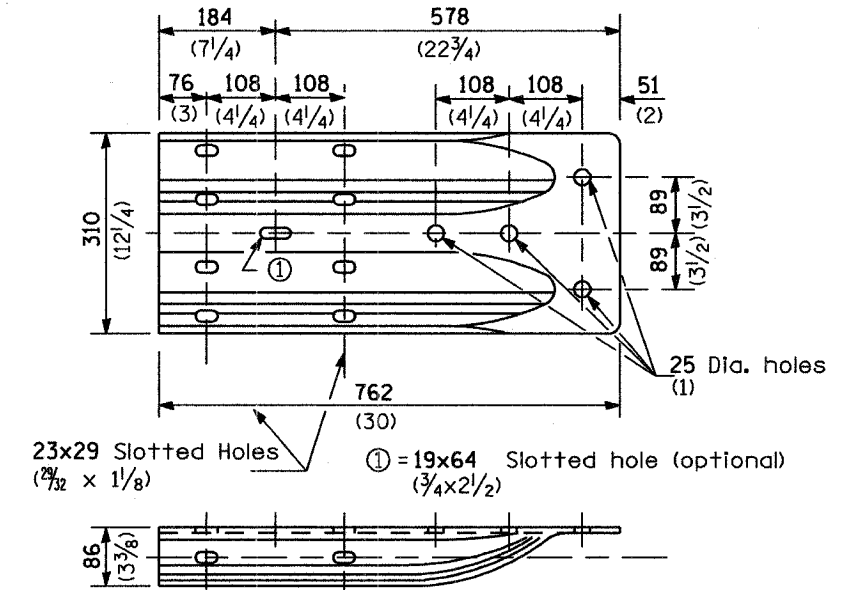
NOTE

When end shoe is attached to a bridge parapet which has an expansion joint, the bolts shall be provided with a locknut or double nut and shall be tightened only to a point that will allow guardrail movement.

The standard end shoe shall be attached to the concrete with pre-drilled or self-drilling anchor bolts. The anchor cone shall be set flush with the surface of the concrete.

Externally threaded studs protruding from the surface of the concrete will not be permitted.

**END SHOE**



**ALTERNATE END SHOE**

**REMOVE AND REERECT STEEL PLATE BEAM GUARDRAIL**

(Sheet 3 of 4)

**DETAIL**