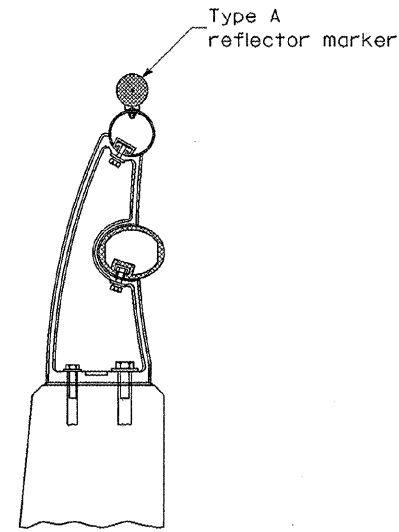
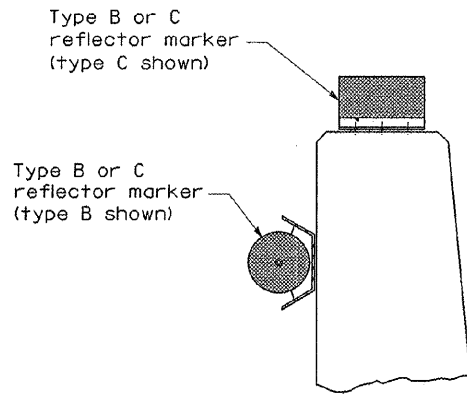


F.A.P. RTE.	SECTION	COUNTY	TOTAL SHEETS	SHEET NO.
313	(7B)BR	HENDERSON	68	46
STA.		TO STA.		
FED. ROAD DIST. NO.		ILLINOIS FED. AID PROJECT		

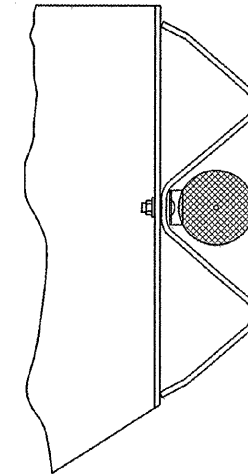
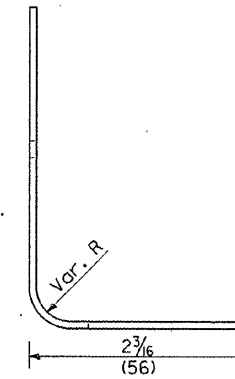
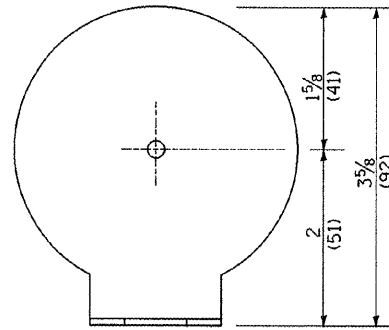
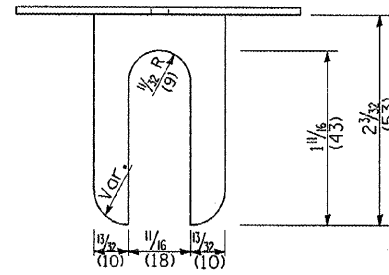


TYPICAL MOUNTING DETAIL FOR BRIDGE RAIL REFLECTOR



TYPICAL MOUNTING DETAIL FOR BARRIER WALL REFLECTOR

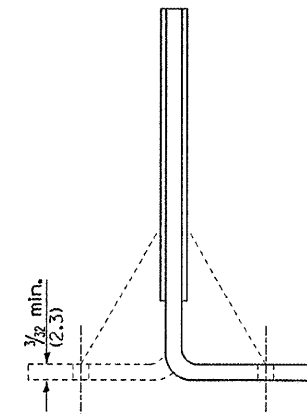
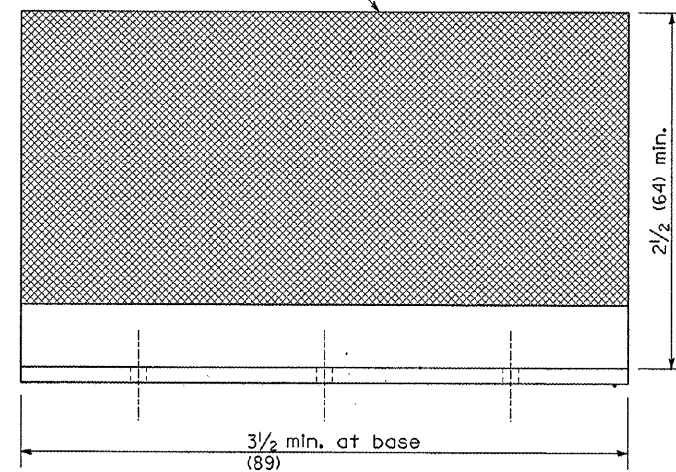
REFLECTOR MOUNTING



TYPICAL GUARDRAIL MOUNTING WITH REFLECTOR MARKER TYPE A

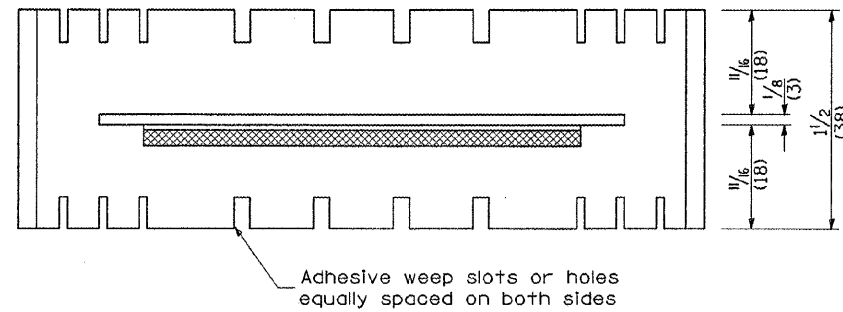
REFLECTOR MARKER TYPE A

Min. reflective area 6 1/2 sq. in. (4,194 mm²) each side. May be rectangular or slight trapezoid.

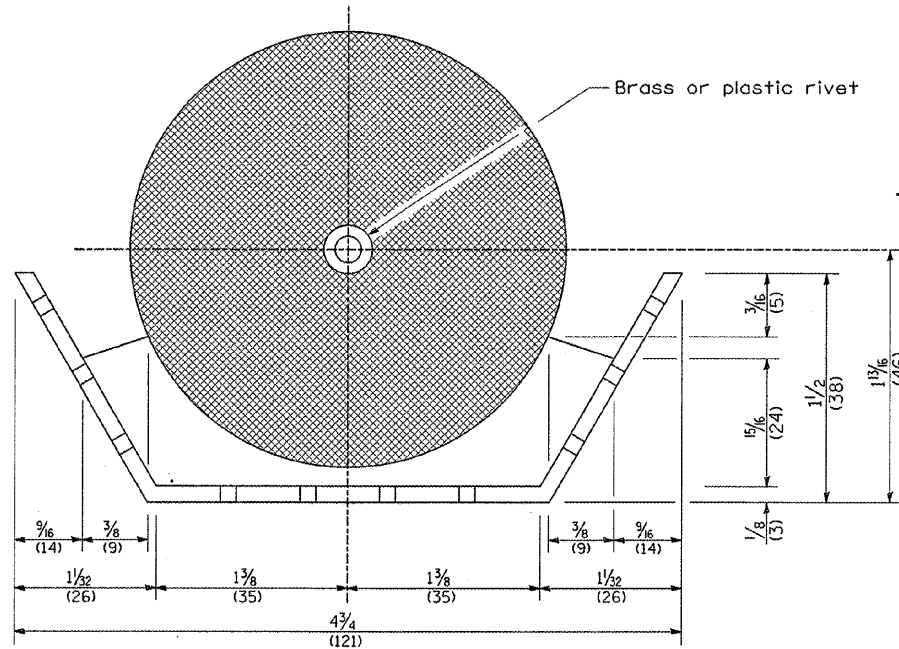


Cross section may be "T" or "L" shaped and may have side supports at ends.

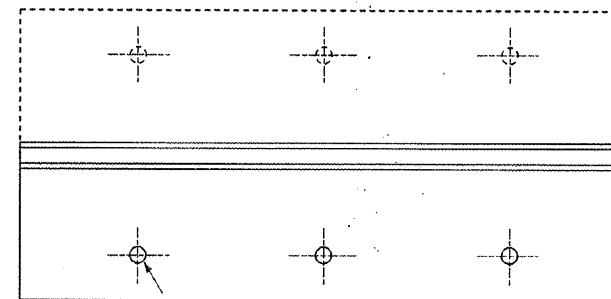
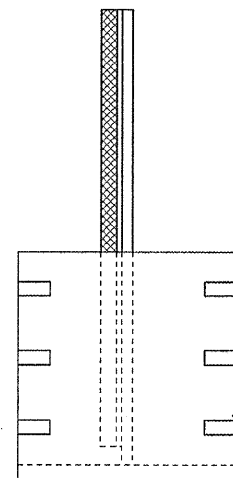
REFLECTORS



Adhesive weep slots or holes equally spaced on both sides



REFLECTOR MARKER TYPE B



3 min. adhesive weep holes or slots each side, variable spacing.

REFLECTOR MARKER TYPE C

Minimum total area of base 7.0 Sq. in. (4,516 mm²)

All dimensions are in inches (millimeters) unless otherwise noted.

ILLINOIS DEPARTMENT OF TRANSPORTATION	
DISTRICT CADD STANDARD	
GUARDRAIL AND BARRIER WALL DELINEATION	
CADD STD. NO. 635101-D4	SHEET 3 OF 3
SCALE: NOT DRAWN TO SCALE	DRAWN BY CADD
	CHECKED BY