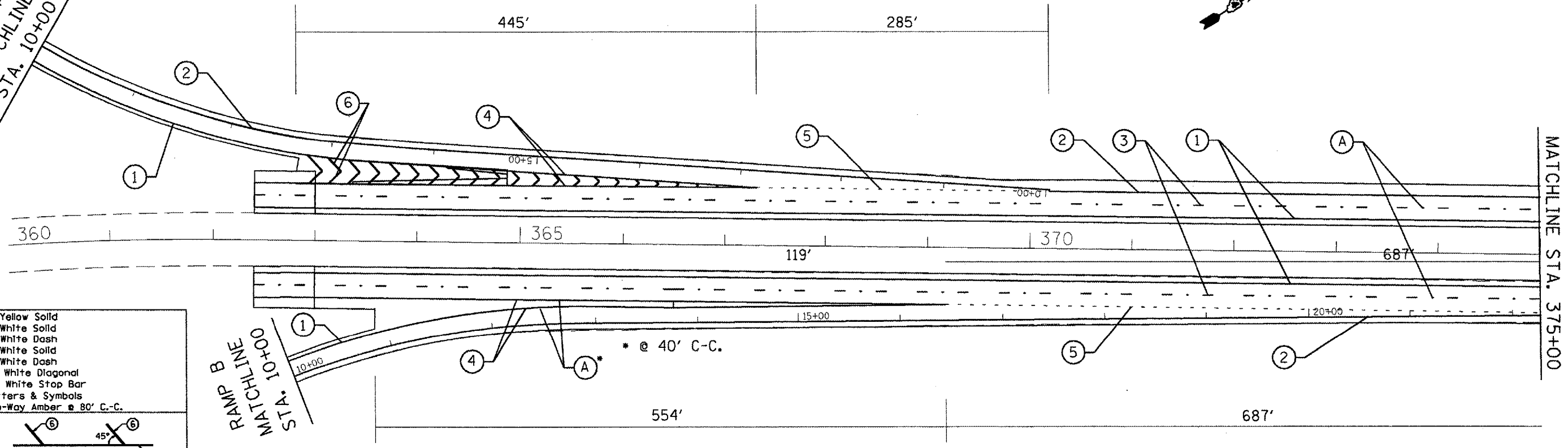


F.A.P. RTE.	SECTION	COUNTY	TOTAL SHEETS	SHEET NO.
313	18RS,18HB1	KNOX	70	19
STA.	TO STA.			
FED. ROAD DIST. NO.	ILLINOIS	FED. AID PROJECT		

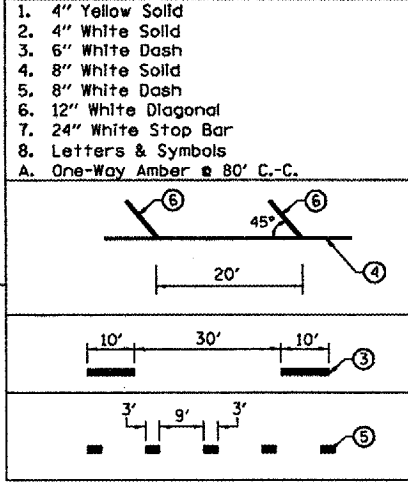


RAMP A
MATCHLINE
STA. 10+00



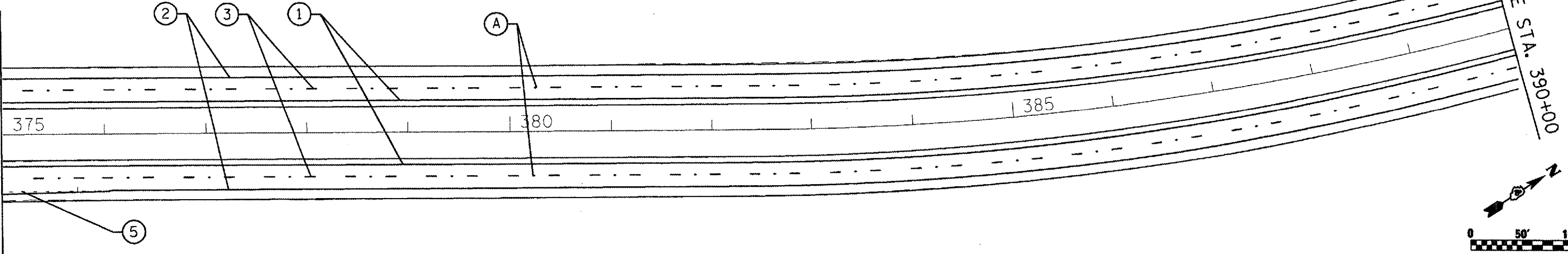
MATCHLINE STA. 375+00

RAMP B
MATCHLINE
STA. 10+00



Note: See Highway Standard 780001 & 781001 for additional information.

MATCHLINE STA. 375+00



REVISIONS	
NAME	DATE

ILLINOIS DEPARTMENT OF TRANSPORTATION

Pavement Markings

SCALE: VERT. _____
HORIZ. _____

DATE _____

DRAWN BY _____
CHECKED BY _____

PLOT DATE = 10/10/2007
 FILE NAME = \\p00000000\pub\p00000000\p00000000.dgn
 PLOT SCALE = 1/8"=1'-0"
 USER NAME = hudson