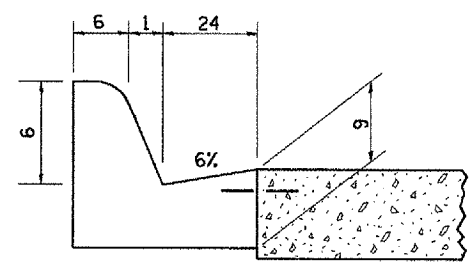
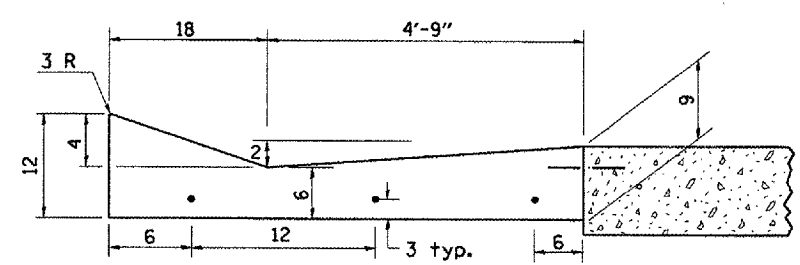


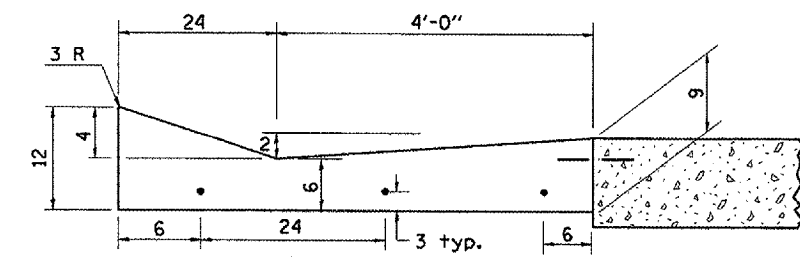
F.A.P. RTE.	SECTION	COUNTY	TOTAL SHEETS	SHEET NO.
313	18RS, (18HBI)	KNOX	70	48
STA.		TO STA.		
FED. ROAD DIST. NO.		ILLINOIS FED. AID PROJECT		



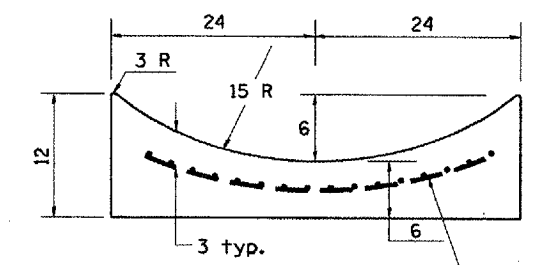
SECTION A-A



SECTION B-B

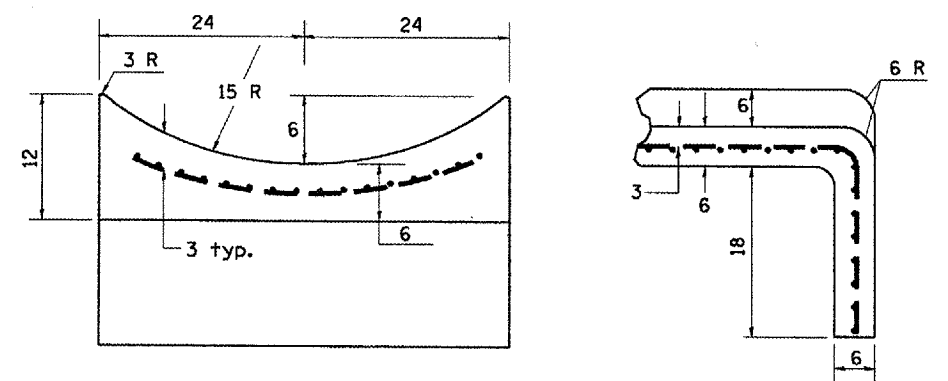
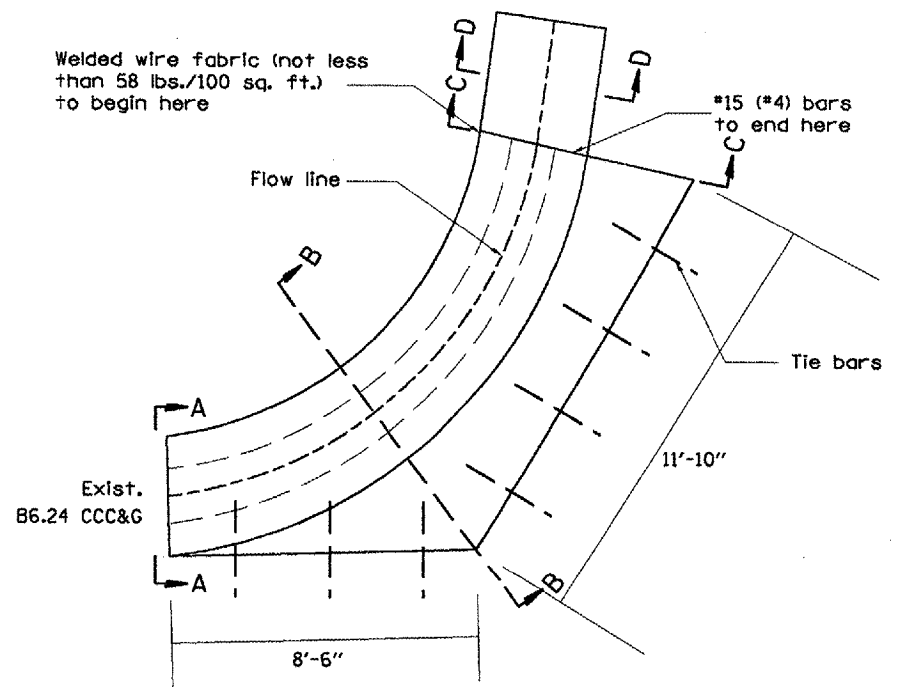


SECTION C-C



SECTION D-D

Welded wire fabric (typ.)



SECTIONS AT END OF OUTLET (CURTAIN WALL)

All dimensions are in inches unless otherwise noted.

REVISIONS	
NAME	DATE

ILLINOIS DEPARTMENT OF TRANSPORTATION
CCC&G Outlet Detail
Ramp B 0+29 LT
 (not to scale)

SCALE: VERT. _____
 HORIZ. _____
 DATE _____
 DRAWN BY _____
 CHECKED BY _____

PLOT DATE = 10/18/2007
 FILE NAME = c:\pva\pva\user\general\2.dgn
 PLOT SCALE = 1/8"=1'-0"
 USER NAME = hushk@tnc.com