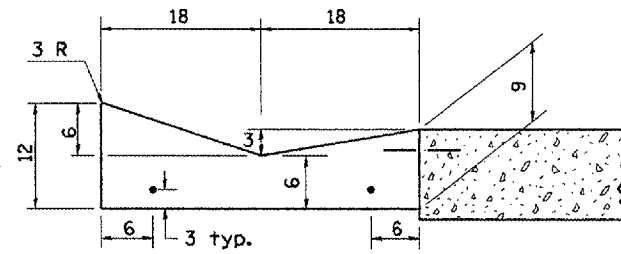
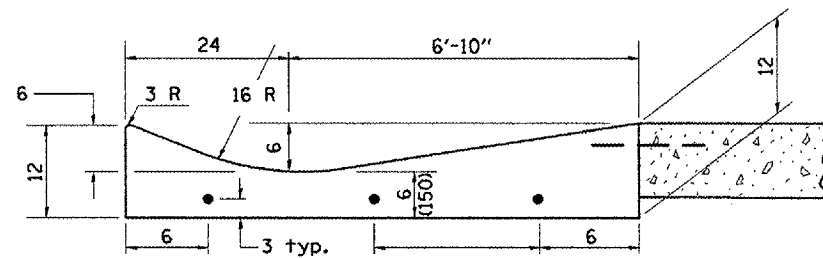


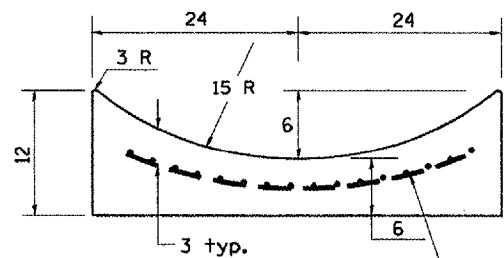
F.A.P. RTE.	SECTION	COUNTY	TOTAL SHEETS	SHEET NO.
313	18RS,18HB1	KNOX	70	49
STA.		TO STA.		
FED. ROAD DIST. NO.		ILLINOIS FED. AID PROJECT		



SECTION A-A

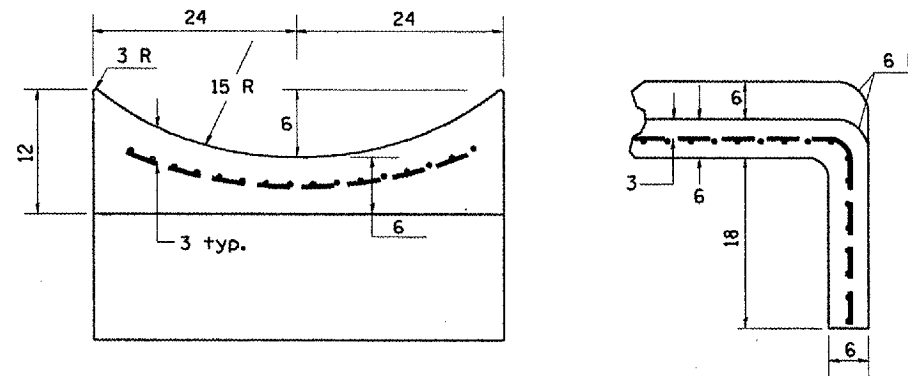
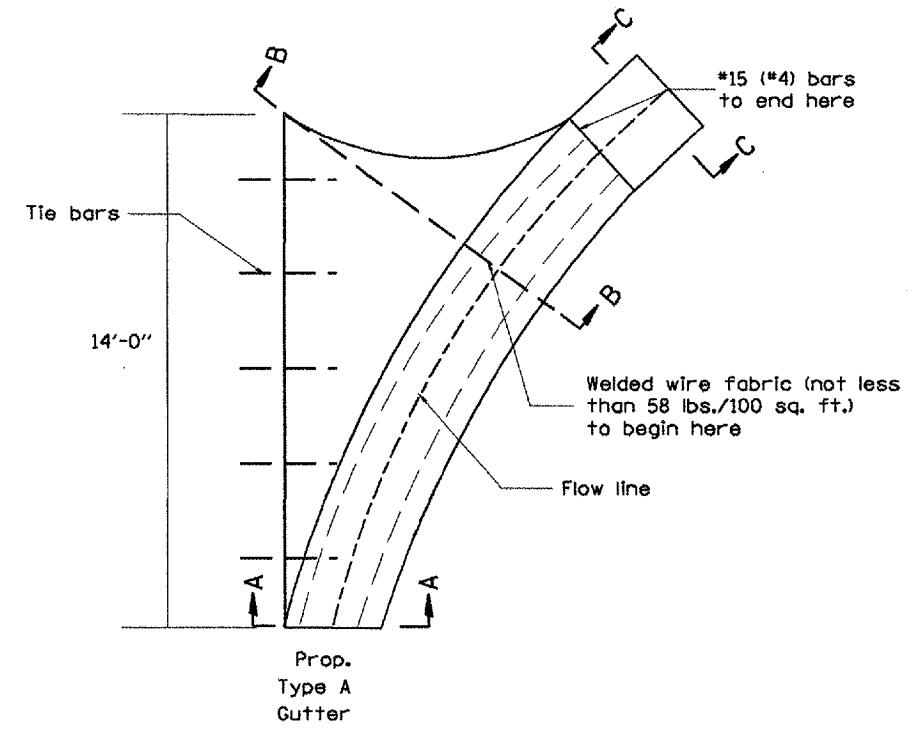


SECTION B-B



SECTION C-C

Welded wire fabric (typ.)



SECTIONS AT END OF OUTLET
(CURTAIN WALL)

All dimensions are in inches unless otherwise noted.

REVISIONS	
NAME	DATE

ILLINOIS DEPARTMENT OF TRANSPORTATION

Gutter Outlet Detail
Ramp B 1+00 RT
(not to scale)

SCALE: VERT. HORIZ.
DATE

DRAWN BY
CHECKED BY