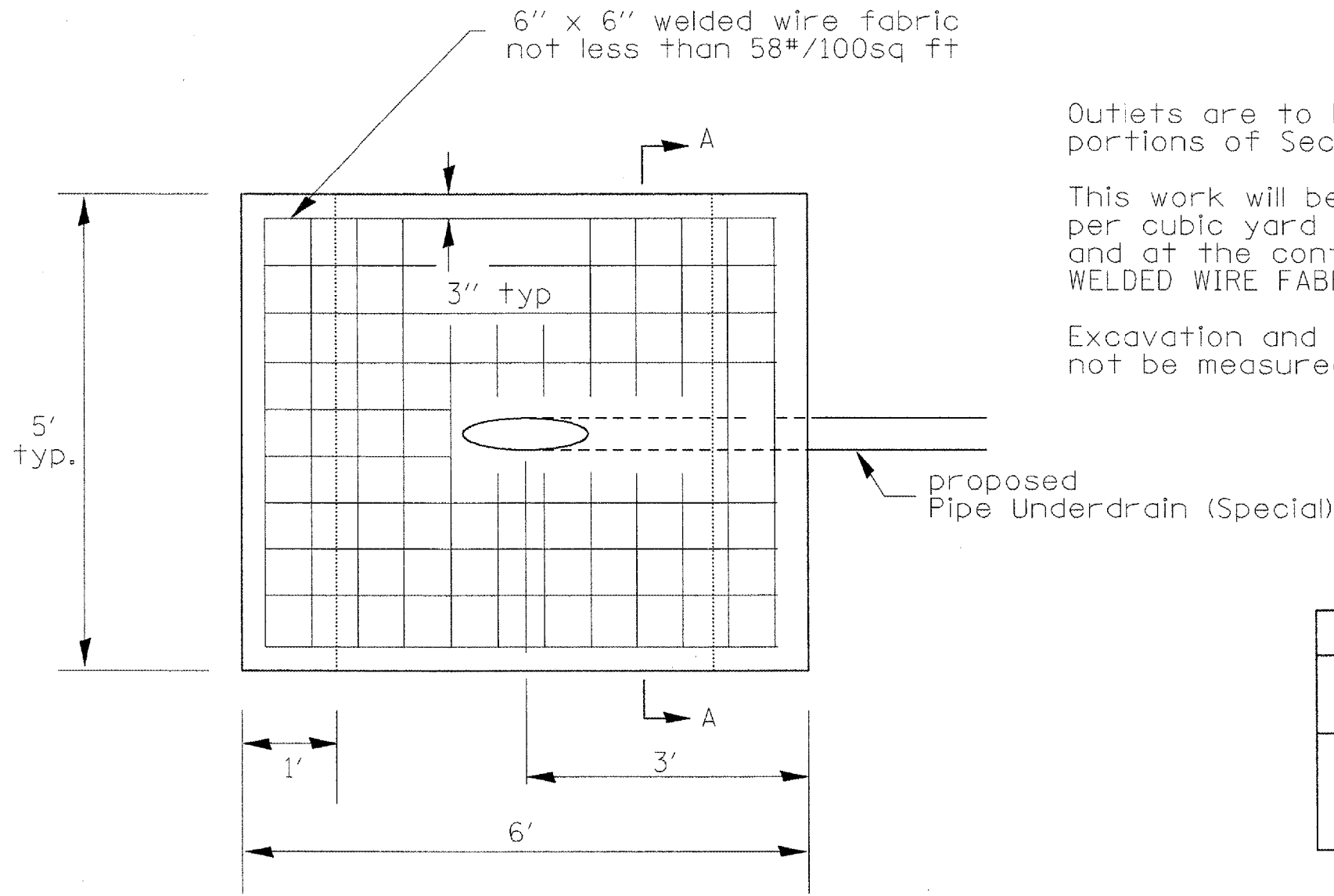


F.A.P. RTE.	SECTION	COUNTY	TOTAL SHEETS	SHEET NO.
313	18RS,(18HBI)	KNOX	70	51
STA.		TO STA.		
FED. ROAD DIST. NO.		ILLINOIS	FED. AID PROJECT	



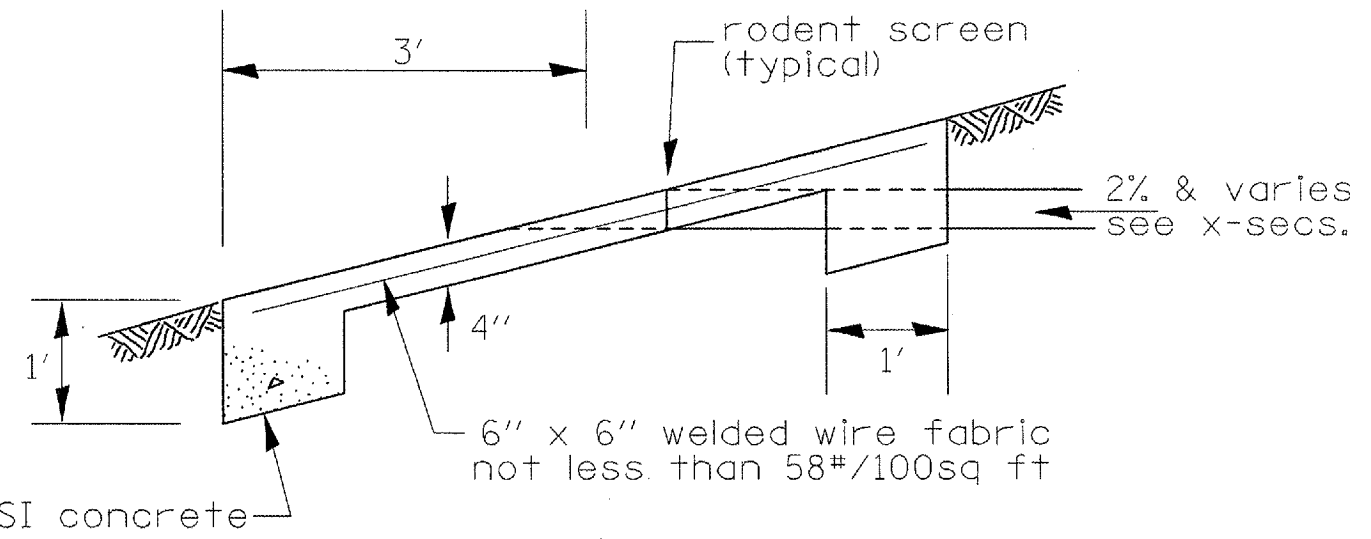
Plan View

Outlets are to be constructed in accordance with applicable portions of Section 606 of the Standard Specifications.

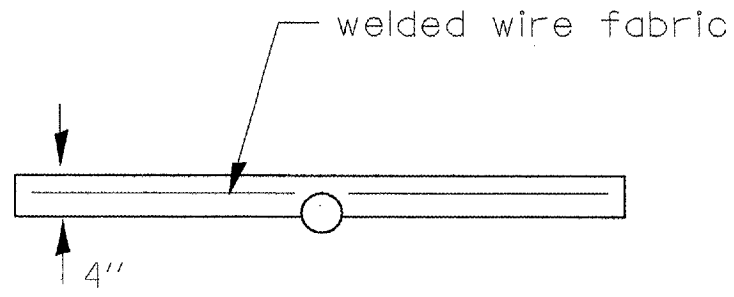
This work will be measured for payment at the contract unit price per cubic yard for CLASS SI CONCRETE OUTLET PROTECTOR and at the contract unit price per square yard for WELDED WIRE FABRIC 6 X 6.

Excavation and backfill required for this work will not be measured for payment.

Type	Class SI Cu Yd	WWF Sq Yd
I	.61	2.75
II	.86	3.75
III	1.35	6.75



Class SI concrete



section A-A

PLOT DATE = 10/18/2007
 FILE NAME = S:\GENERAL\PROJECTS\18RS\18RS\18RS.dwg
 PLOT SCALE = 1/8" = 1'-0"
 USER NAME = bvaughn

REVISIONS	
NAME	DATE

ILLINOIS DEPARTMENT OF TRANSPORTATION

Outlet
Protector
Type I

SCALE: not drawn to scale

DATE

DRAWN BY: dml 8/07

CHECKED BY: