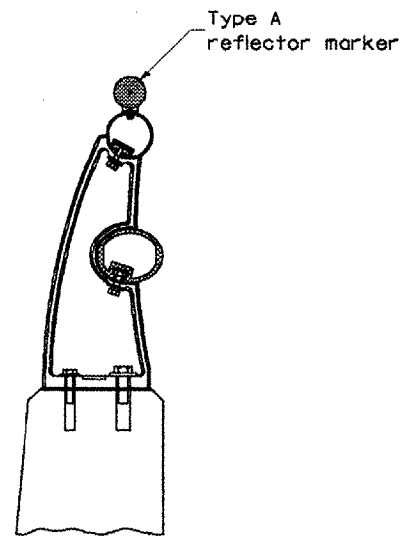
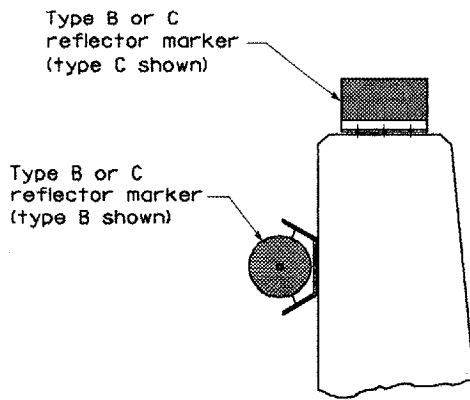


F.A. RTE.	SECTION	COUNTY	TOTAL SHEETS	SHEET NO.
313	18 RS, (18HBI)	KNOX	70	61
STA.		TO STA.		
FED. ROAD DIST. NO.		ILLINOIS FED. AID PROJECT		

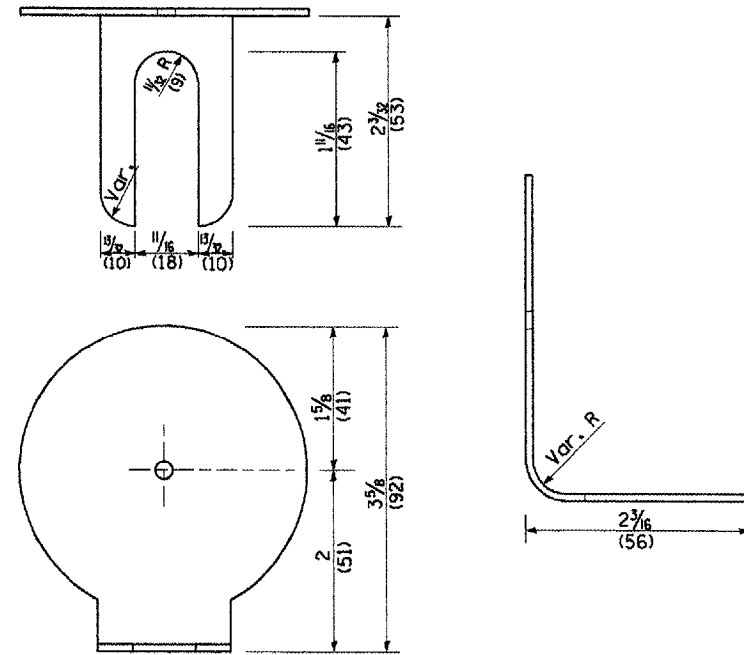


TYPICAL MOUNTING DETAIL FOR BRIDGE RAIL REFLECTOR



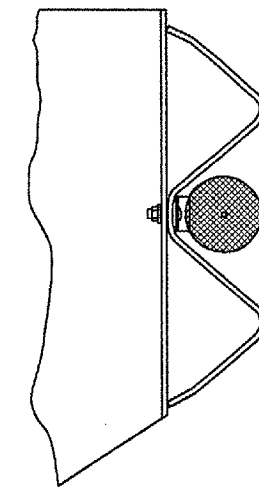
TYPICAL MOUNTING DETAIL FOR BARRIER WALL REFLECTOR

REFLECTOR MOUNTING

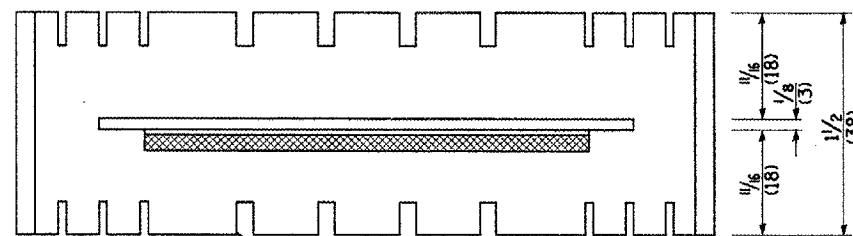


REFLECTOR MARKER TYPE A

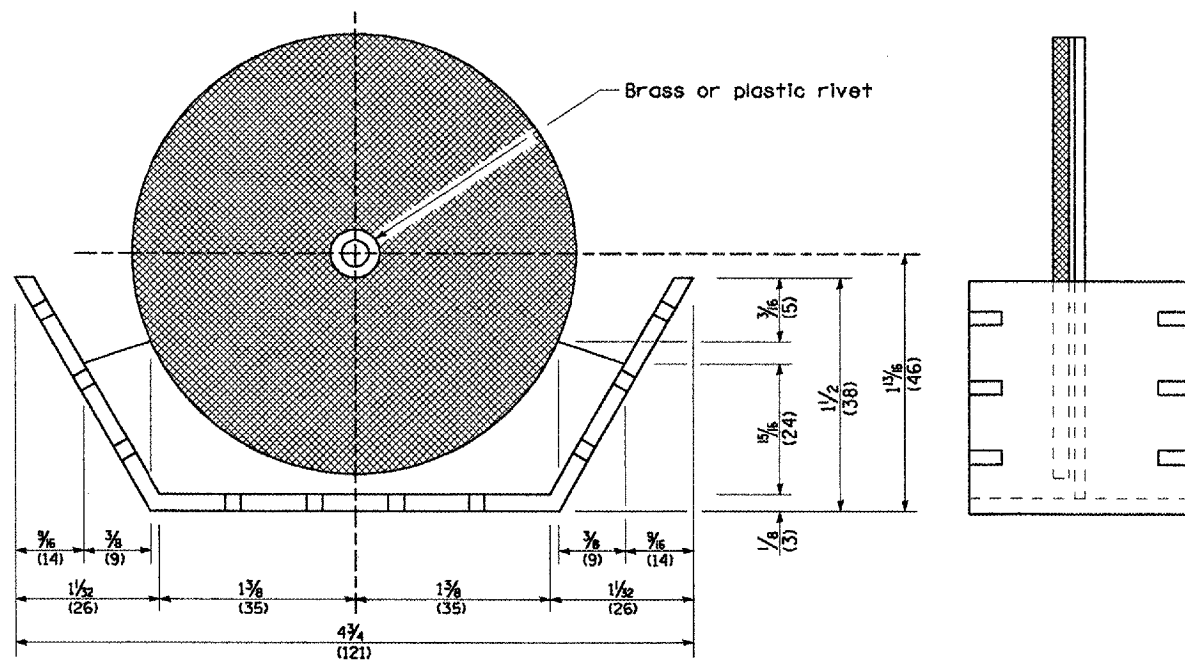
Min. reflective area 6 1/2 sq. in. (4,194 mm<sup>2</sup>) each side. May be rectangular or slight trapezoid.



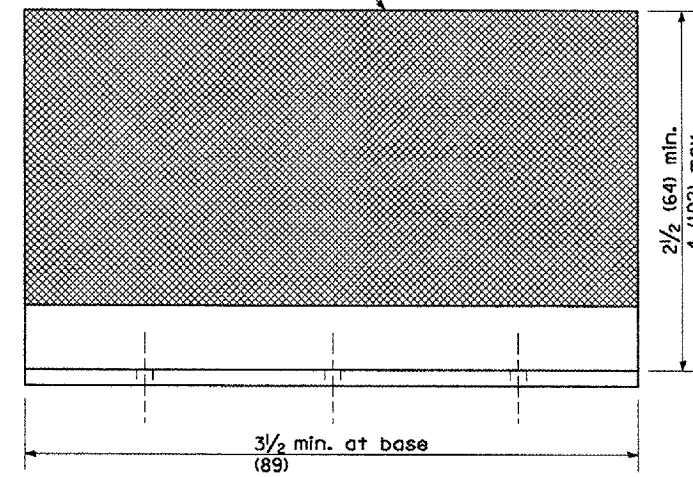
TYPICAL GUARDRAIL MOUNTING WITH REFLECTOR MARKER TYPE A



Adhesive weep slots or holes equally spaced on both sides

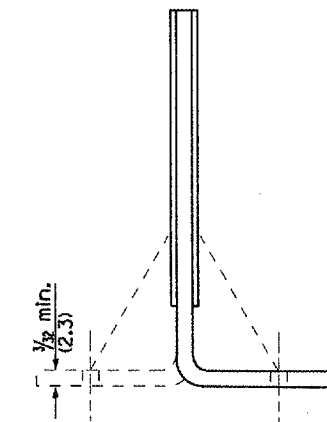


REFLECTOR MARKER TYPE B



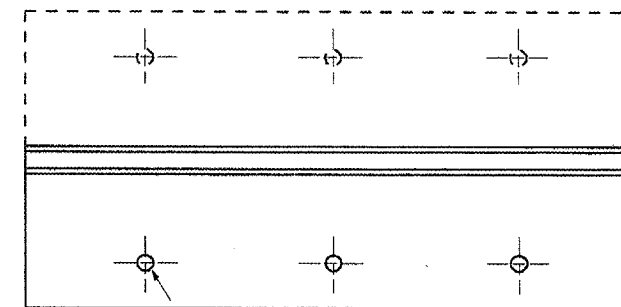
3 min. adhesive weep holes or slots each side, variable spacing.

REFLECTOR MARKER TYPE C



Cross section may be "T" or "L" shaped and may have side supports at ends.

REFLECTORS



Minimum total area of base 7.0 Sq. in. (4,516 mm<sup>2</sup>)

All dimensions are in inches (millimeters) unless otherwise noted.

ILLINOIS DEPARTMENT OF TRANSPORTATION	
DISTRICT CADD STANDARD	
GUARDRAIL AND BARRIER WALL DELINEATION	
CADD STD. NO. 635101-04	SHEET 3 OF 3
SCALE: NOT DRAWN TO SCALE	DRAWN BY CADD
	CHECKED BY