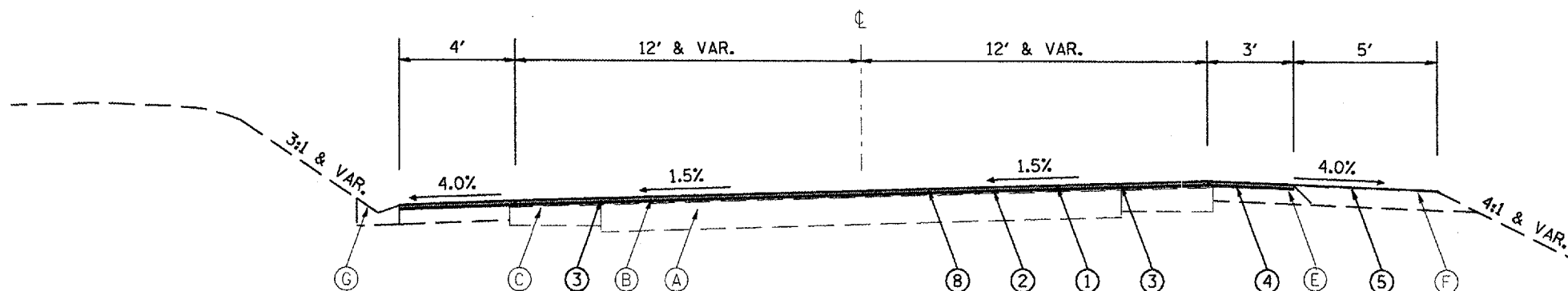


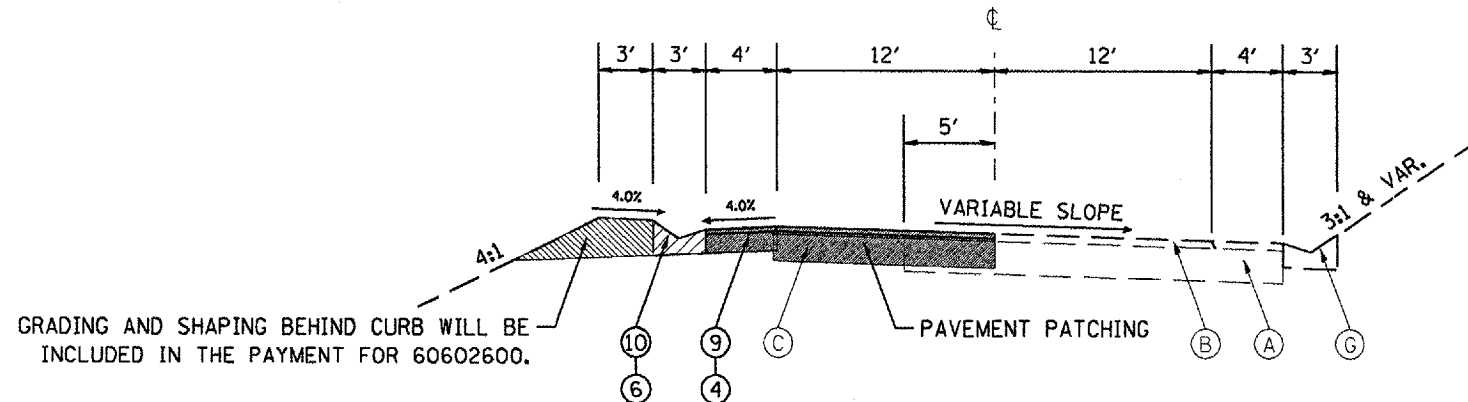
F.A.P. RTE.	SECTION	COUNTY	TOTAL SHEETS	SHEET NO.
318 645	1RS-1,2RS-2, 3RS-3, (106)RS-5	MARSHALL	28	11
STA.		TO STA.		
FED. ROAD DIST. NO.		ILLINOIS FED. AID PROJECT		



IL-17W
STA. 20+79.76 TO STA. 24+40.00

LEGEND - PROPOSED

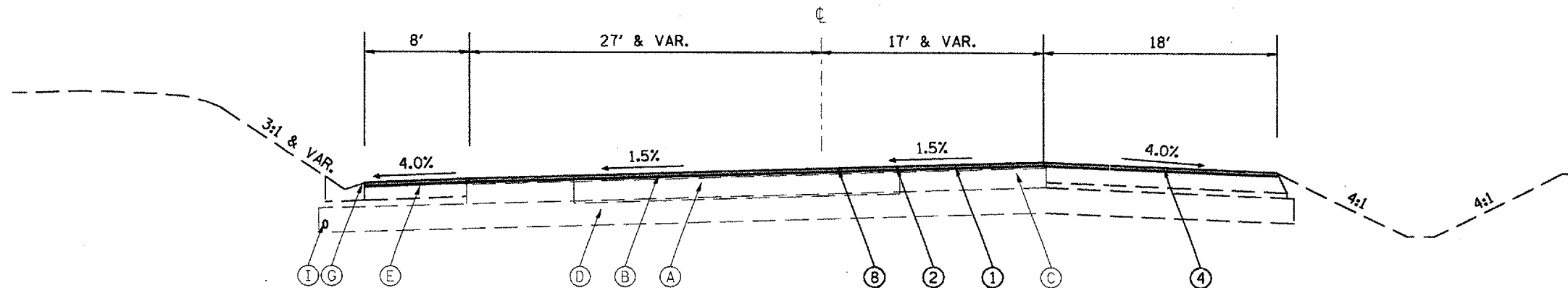
- ① HOT-MIX ASPHALT SURFACE COURSE 1 1/2"
- ② POLYMERIZED LEVELING BINDER 3/4"
- ③ STRIP REF. CRACK CONTROL TREATMENT
- ④ HOT-MIX ASPHALT SHOULDER
- ⑤ AGGREGATE WEDGE
- ⑥ CONCRETE GUTTER, TYPE A (MOD.)
- ⑦ HOT-MIX ASPHALT SURFACE REMOVAL, 1 1/2"
- ⑧ HOT-MIX ASPHALT SURFACE REMOVAL, 2 1/4"
- ⑨ SHOULDER REMOVAL
- ⑩ GUTTER REMOVAL



IL-17W
STA. 532+35 TO STA. 533+60

LEGEND - EXISTING

- (A) PAVEMENT
- (B) VAR. DEPTH BITUMINOUS OVERLAY
- (C) BASE COURSE WIDENING
- (D) GRANULAR SUBGRADE
- (E) BITUMINOUS SHOULDER
- (F) AGGREGATE SHOULDER
- (G) GUTTER
- (H) SIDEWALK
- (I) 4" PIPE UNDERDRAIN



IL-17A
STA. 0+00.00 TO STA. 1+62.03

REVISIONS	
NAME	DATE

ILLINOIS DEPARTMENT OF TRANSPORTATION

PROPOSE TYPICAL SECTIONS
IL-17

SCALE: VERT.
HORIZ.
DATE

DRAWN BY
CHECKED BY