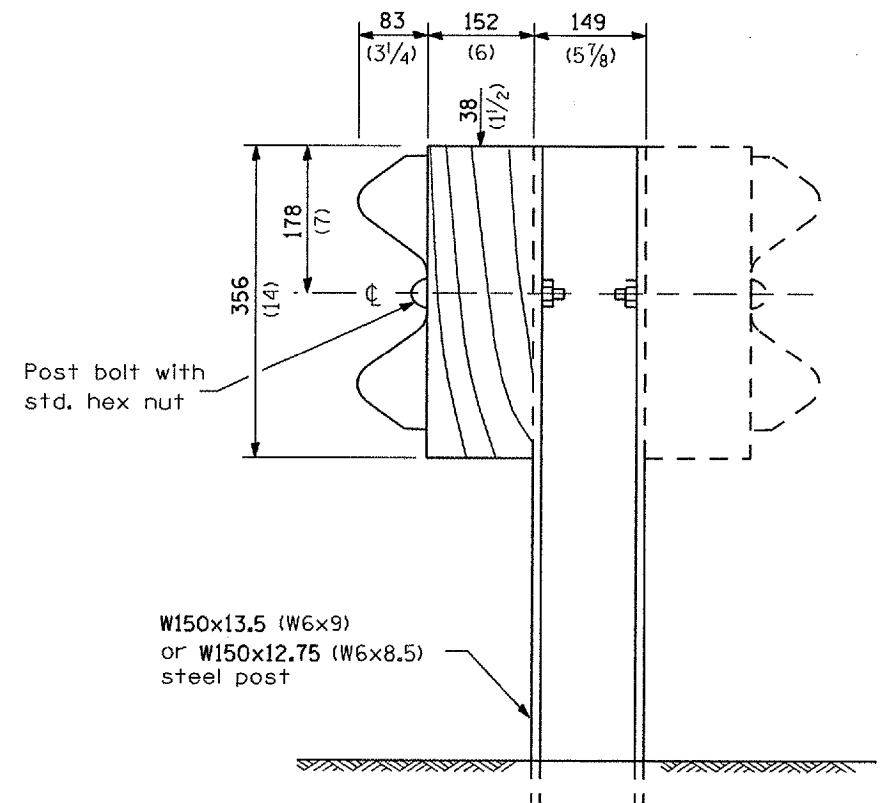
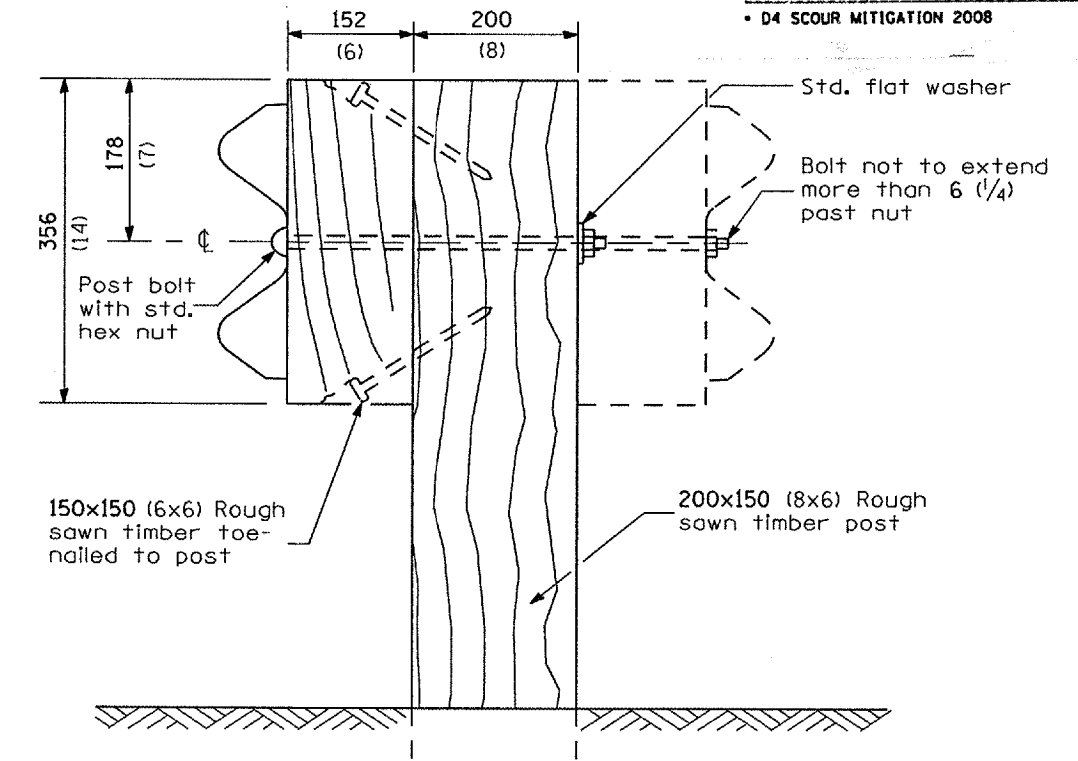


CONTRACT NO. 68515				
F.A.S. RITE.	SECTION	COUNTY	TOTAL SHEETS	SHEET NO.
1380		PEORIA	16	163
STA. 46+00		TO STA. 49+00		
FED. ROAD DIST. NO. 4 ILLINOIS FED. AID PROJECT				
D4 SCOUR MITIGATION 2008				

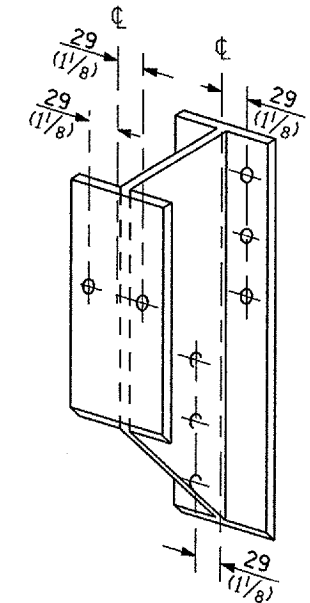


W150x13.5 (W6x9)
or W150x12.75 (W6x8.5)
steel post

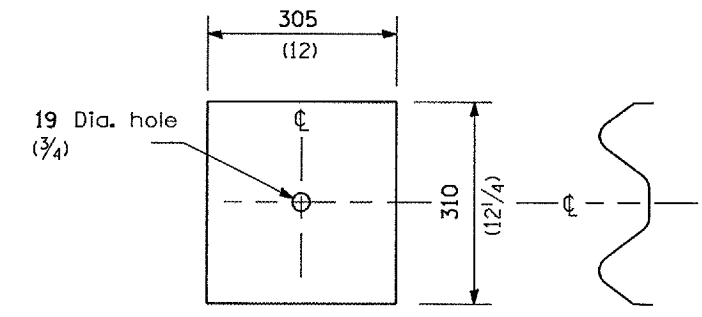
STEEL POST CONSTRUCTION



WOOD POST CONSTRUCTION



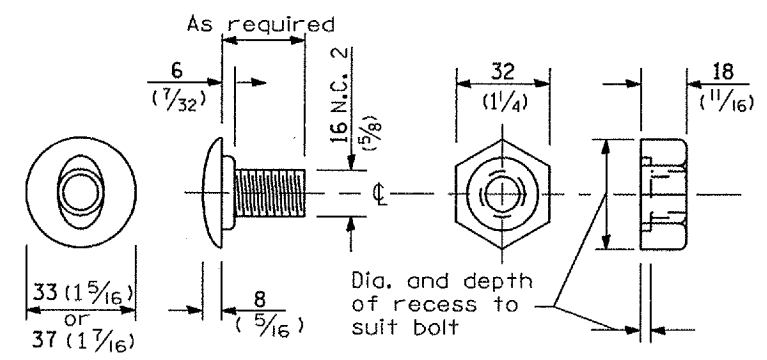
STEEL BLOCK-OUT DETAIL



NOTE

Plate A shall be placed between rail element and block-out at non-splice mounting points only when steel block-outs are used.

PLATE A



POST OR SPLICE BOLT & NUT

**REMOVE AND REERECT
STEEL PLATE BEAM GUARDRAIL**
(Sheet 2 of 4)

DETAIL