

STATE OF ILLINOIS  
DEPARTMENT OF TRANSPORTATION

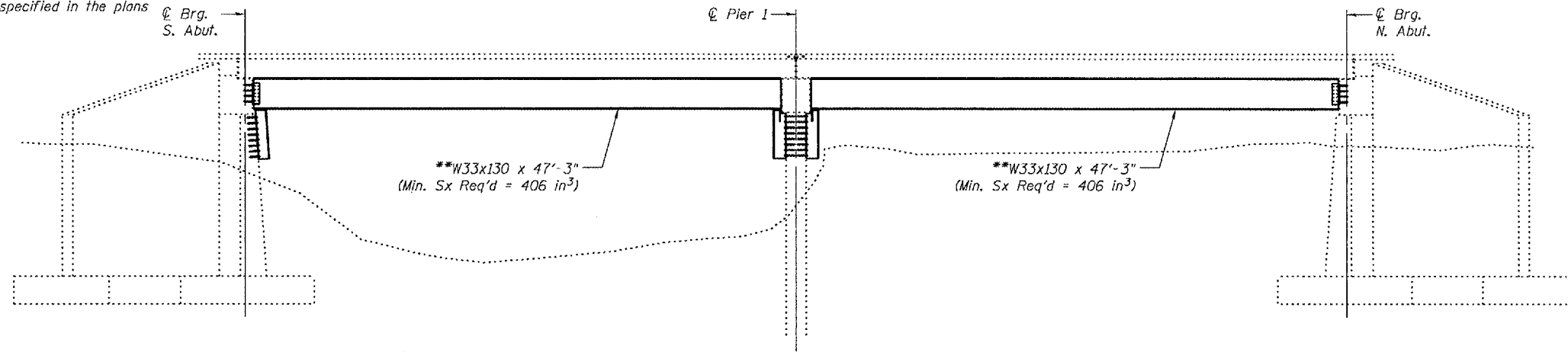
ROUTE NO.	SECTION	COUNTY	TOTAL SHEETS	SHEET NO.
FA 53		Mercer	9	8
FED. ROAD DIST. NO. 7	ILLINOIS	FED. AID PROJECT		

SHEET NO. 1  
2 SHEETS

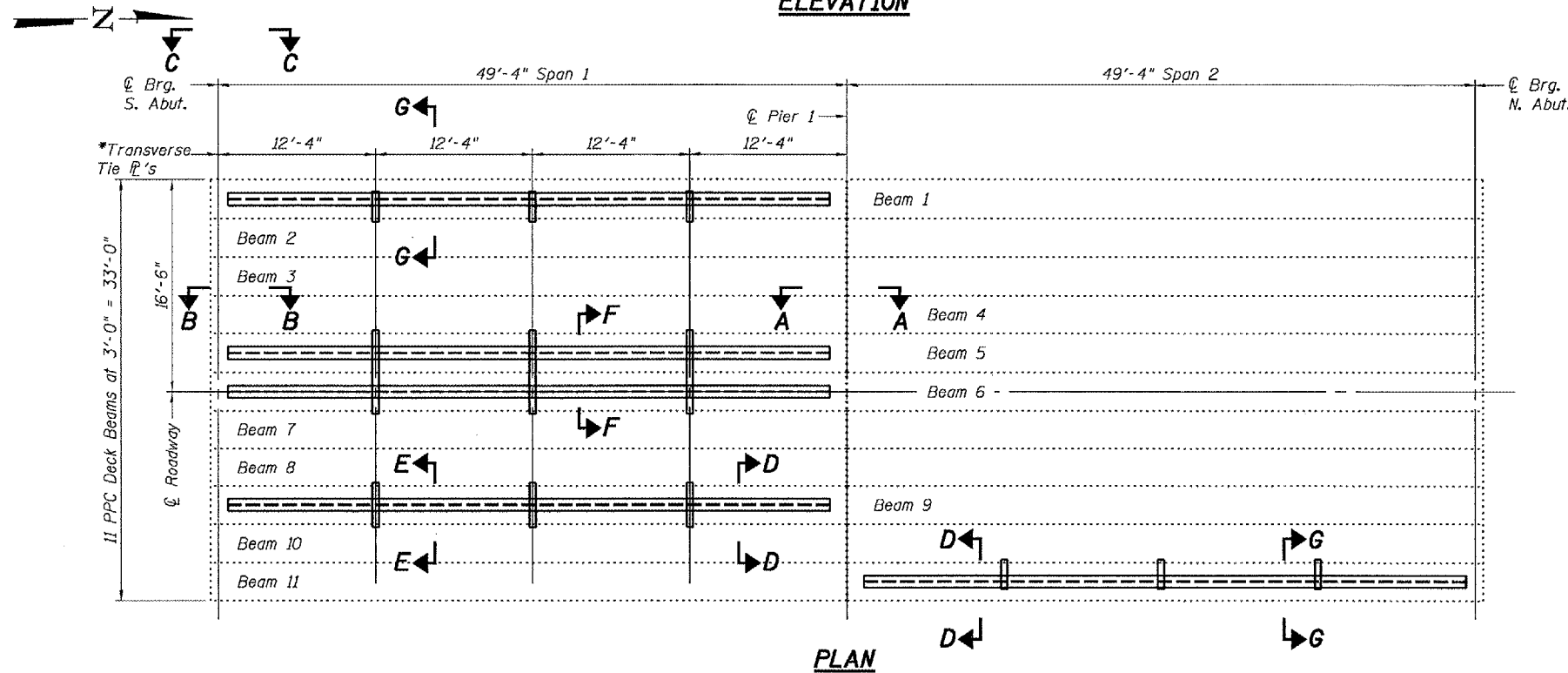
Contract Number: 68752

\*\*Contractor is to verify beam length prior to ordering material. Other sections meeting the section modulus requirements shown may be allowed subject to approval by the Bureau of Bridges and Structures. Maximum Girder depth = 33". No additional payment will be allowed if the contractor chooses a heavier steel section than the one specified in the plans

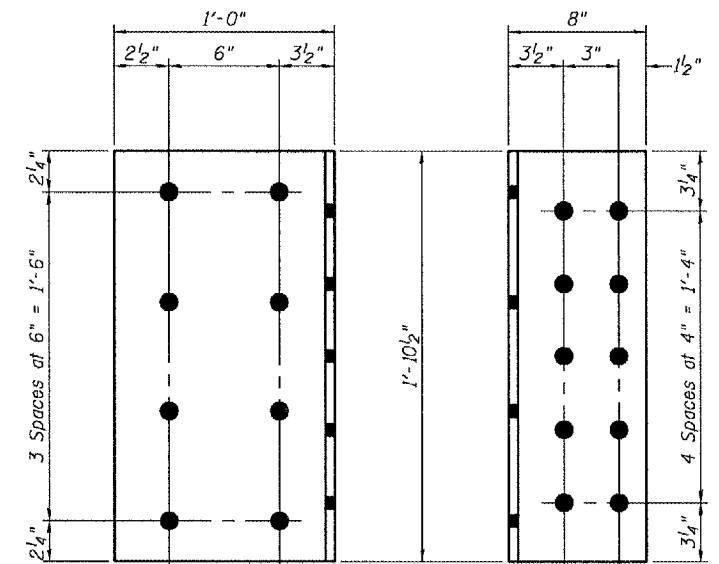
\* $\varnothing$  Transverse tie  $\varnothing$ 's (3 per span). Place additional shims at midpoints between tie  $\varnothing$ 's. Securely weld shims to top flange of support beam. Minimum shim size is 6" x flange width.



ELEVATION



PLAN

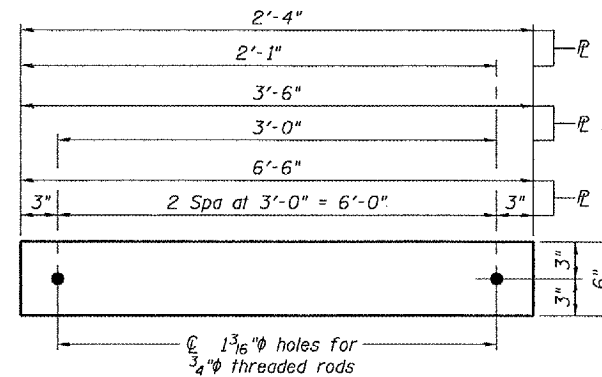


$\varnothing$  1" holes for epoxy grouted  $\frac{3}{4}$ " H.S. threaded rods.

$\varnothing$  1" holes for  $\frac{3}{4}$ " H.S. Bolts

BENT P D

$\varnothing$   $\frac{1}{2}$ " x 1'-7 1/2" x 1'-10 1/2" (4 Req'd)



TRANSVERSE TIE R'S

R A  $\frac{1}{2}$ " x 2'-4" x 6" (6 Req'd)  
R B  $\frac{1}{2}$ " x 3'-6" x 6" (3 Req'd)  
R C  $\frac{1}{2}$ " x 6'-6" x 6" (3 Req'd)

TOTAL BILL OF MATERIAL

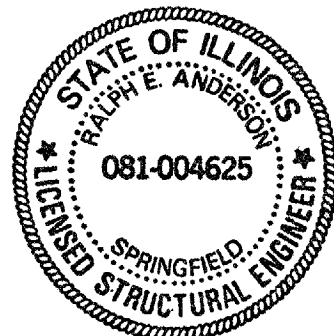
ITEM	UNIT	QUANTITY
Furnishing and Erecting Structural Steel	Pound	34,900

PLAN AND ELEVATION

F.A.P. RT 310  
MERCER COUNTY  
SN 066-0003

DESIGNED	[Signature]
CHECKED	[Signature]
DRAWN	[Signature]
CHECKED	SJB HJB

November 7, 2007  
EXAMINED [Signature]  
PASSED [Signature]  
ENGINEER OF BRIDGES AND STRUCTURES



Expires: November 30, 2008