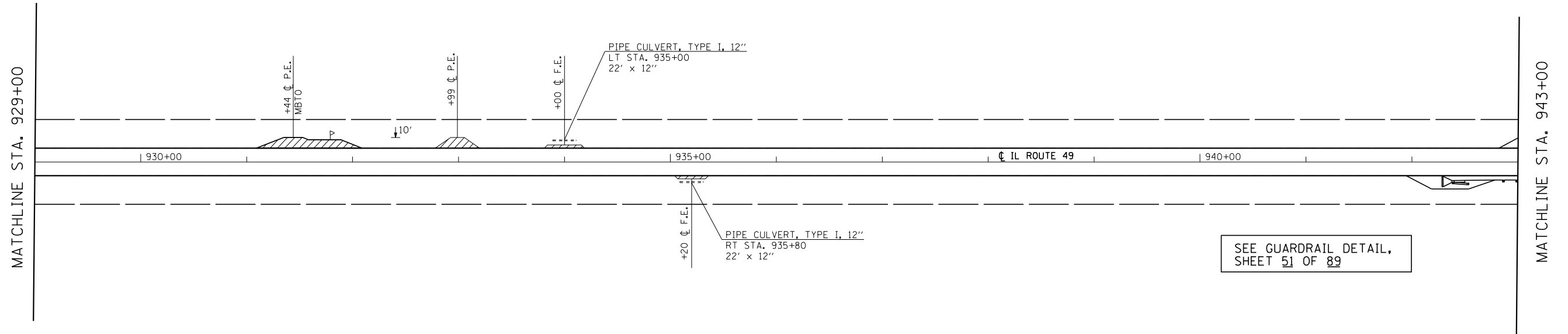


F.A.P. RTE.	SECTION	COUNTY	TOTAL SHEETS	SHEET NO.
840	(121,122)RS-3	VERMILION	89	25
STA. 929+00		TO STA. 957+00		
FED. ROAD DIST. NO.		ILLINOIS	FED. AID PROJECT	

SEC. 14, T 22 N, R 14 W

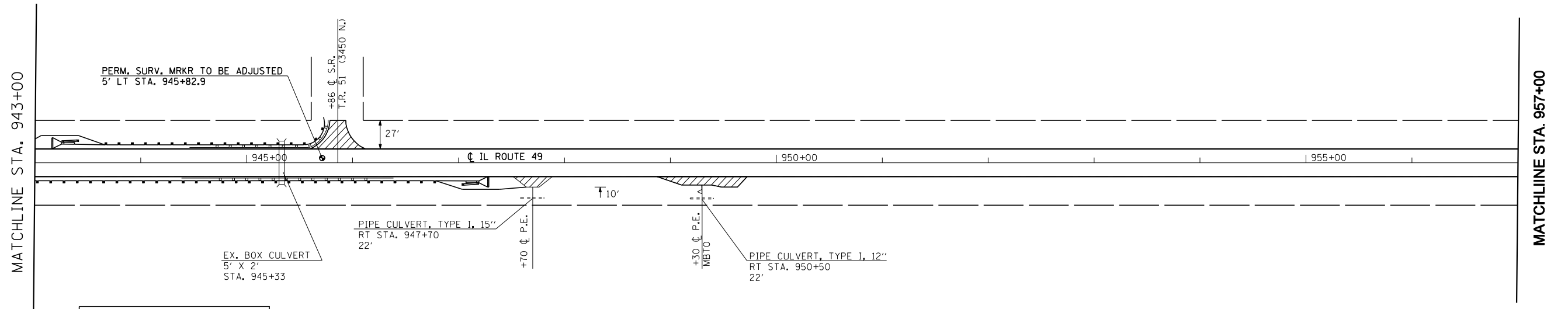


SEE GUARDRAIL DETAIL, SHEET 51 OF 89

INCIDENTAL HMA RESURFACING

SEC. 13, T 22 N, R 14 W

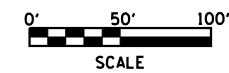
SEC. 14, T 22 N, R 14 W



SEE GUARDRAIL DETAIL, SHEET 51 OF 89

INCIDENTAL HMA RESURFACING

SEC. 13, T 22 N, R 14 W



REVISIONS	
NAME	DATE

ILLINOIS DEPARTMENT OF TRANSPORTATION

EXISTING / PROPOSED
PLAN SHEETS
STA. 929+00 - 957+00

SCALE: VERT.
HORIZ.
DATE

DRAWN BY
CHECKED BY

PLOT DATE = 11/15/2007
FILE NAME = c:\projects\0595800 (v8)\rev.plansheets.dgn
PLOT SCALE = 1/8" = 100' / IN.
USER NAME = collierb