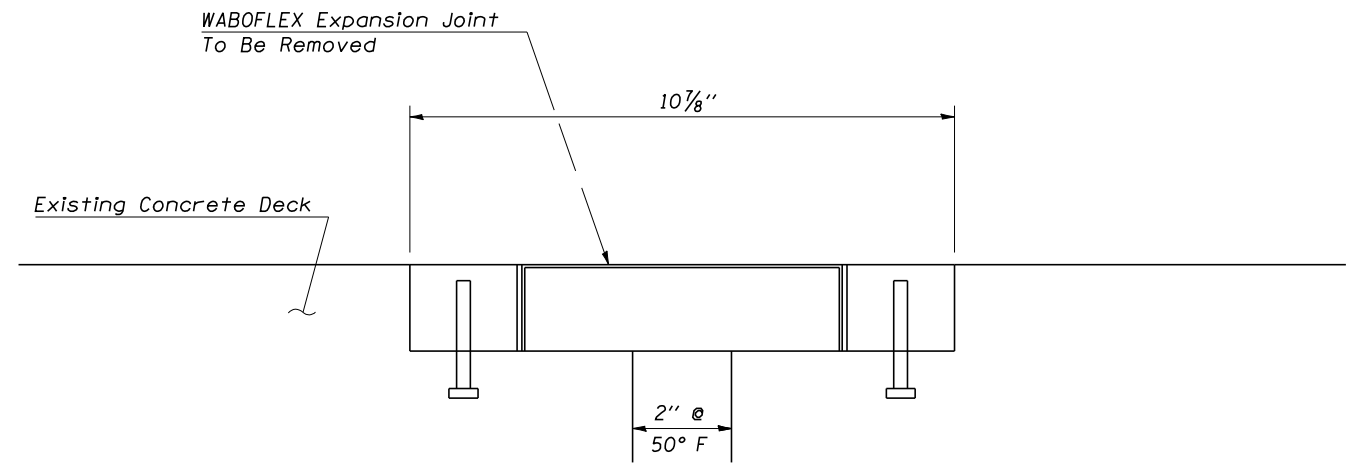
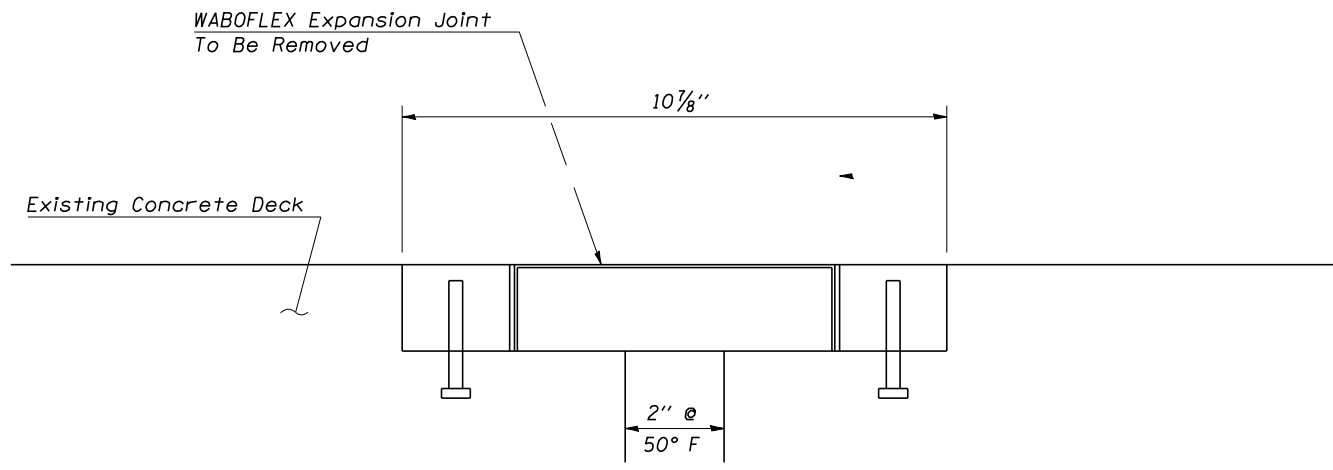


F.A.P. RTE.	SECTION	COUNTY	TOTAL SHEETS	SHEET NO.
840	(121,122)RS-3	VERMILION	89	41
STA.		TO STA.		
FED. ROAD DIST. NO.	ILLINOIS	FED. AID PROJECT		

NORTH & SOUTH ABUTMENT JOINT DETAILS

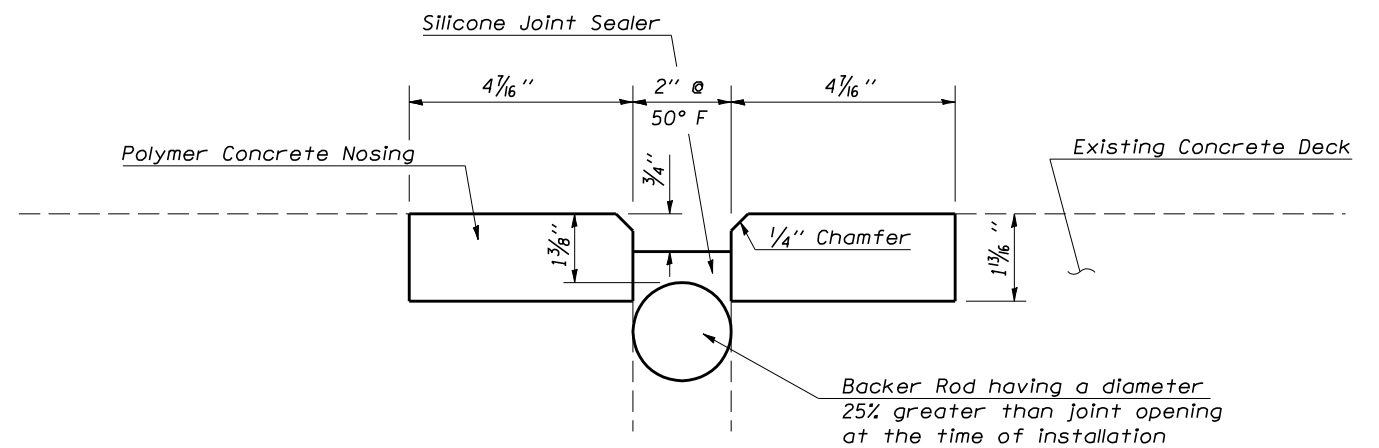
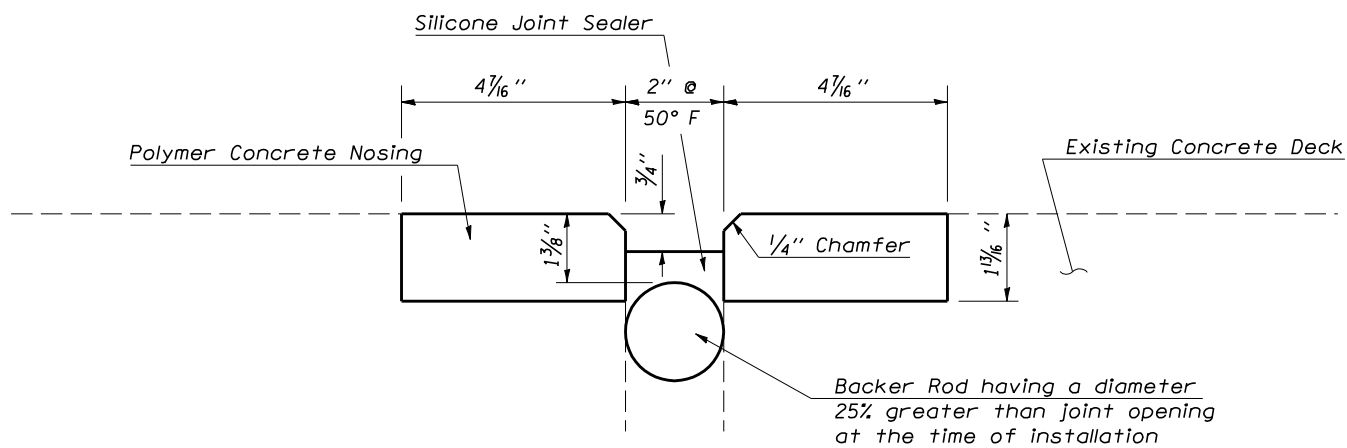
BENT 5 EXPANSION JOINT DETAILS

SHEET 4 OF 7



EXISTING JOINT

EXISTING JOINT



PROPOSED JOINT

PROPOSED JOINT

NOTES:

REMOVE EXISTING WABOFLEX EXPANSION JOINT LEAVING EXISTING STUDS. REPLACE WITH SILICONE JOINT SEALER AND POLYMER CONCRETE.

REMOVAL OF THE EXISTING RUBBER BLOCKS AND NEOPRENE MEMBRANE IS INCLUDED IN THE COST OF POLYMER CONCRETE.

THE REMOVAL OF THE EXPANSION JOINT AND REPLACEMENT OF SILICONE JOINT SEALER AND POLYMER CONCRETE MUST BE COMPLETED IN THE SAME WORK DAY.

NOTES:

REMOVE EXISTING WABOFLEX EXPANSION JOINT LEAVING EXISTING STUDS. REPLACE WITH SILICONE JOINT SEALER AND POLYMER CONCRETE.

REMOVAL OF THE EXISTING RUBBER BLOCKS AND NEOPRENE MEMBRANE IS INCLUDED IN THE COST OF POLYMER CONCRETE.

THE REMOVAL OF THE EXPANSION JOINT AND REPLACEMENT OF SILICONE JOINT SEALER AND POLYMER CONCRETE MUST BE COMPLETED IN THE SAME WORK DAY.

SN 092-0101

ILLINOIS DEPARTMENT OF TRANSPORTATION
JOINT DETAILS
F.A.P. ROUTE 840
SECTION (121,122)RS-3
VERMILION COUNTY

SCALE: NA DRAWN BY: JW/JRP
DATE: 05-17-07 CHECKED BY: