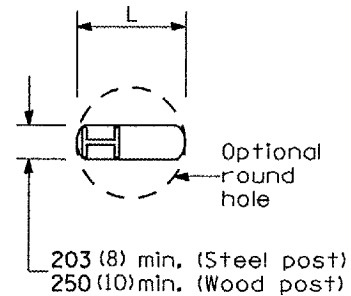
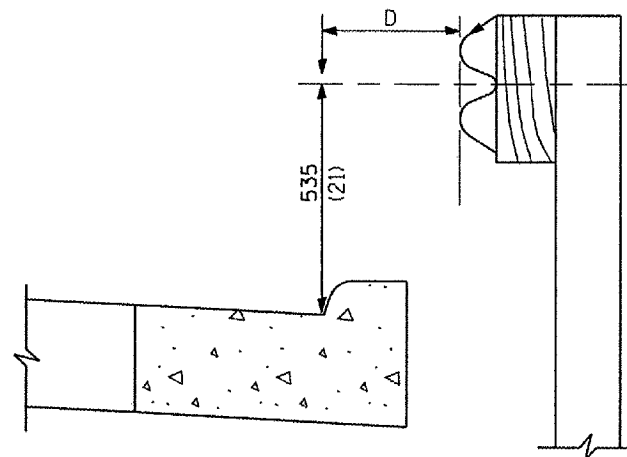


| | | | | |
|---------------------|---------------|------------------|--------------|-----------|
| F.A. # | SECTION | COUNTY | TOTAL SHEETS | SHEET NO. |
| 840 | (121,122) 3-3 | Vermillion | 520 | 520 |
| FED. ROAD DIST. NO. | ILLINOIS | FED. AID PROJECT | | |



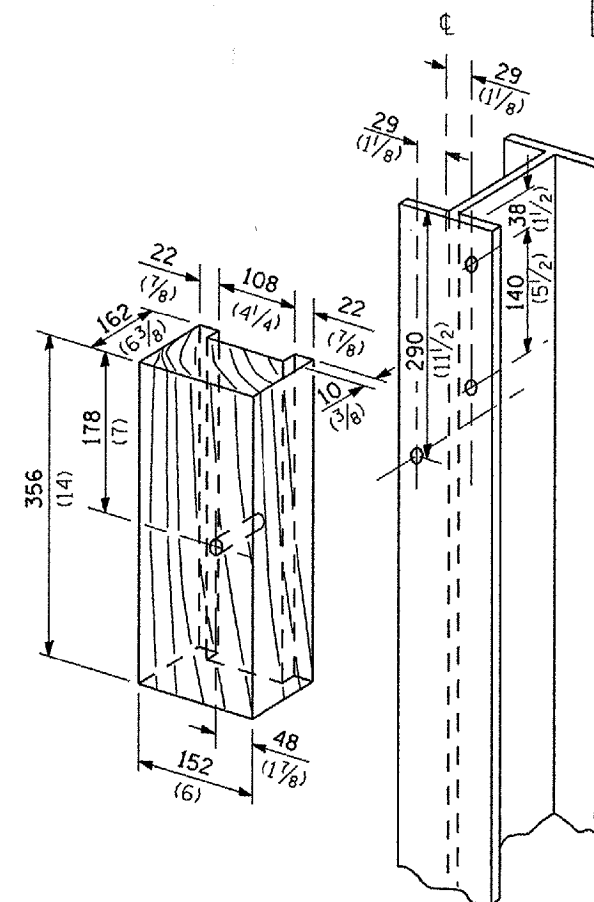
PLAN



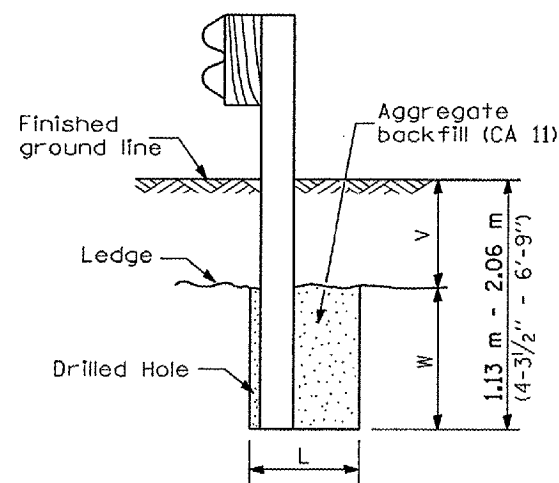
Note:
If it is necessary for D to be more than 300 (12) and less than 3.0 m (10'-0") type M-5 (M-2) curb and gutter (Std. 606001) shall be used in front of and in advance of the guardrail.

GUARDRAIL PLACED BEHIND CURB

(D = 0 desirable to 300 (12) maximum)



WOOD BLOCK-OUT AND STEEL POST DETAILS

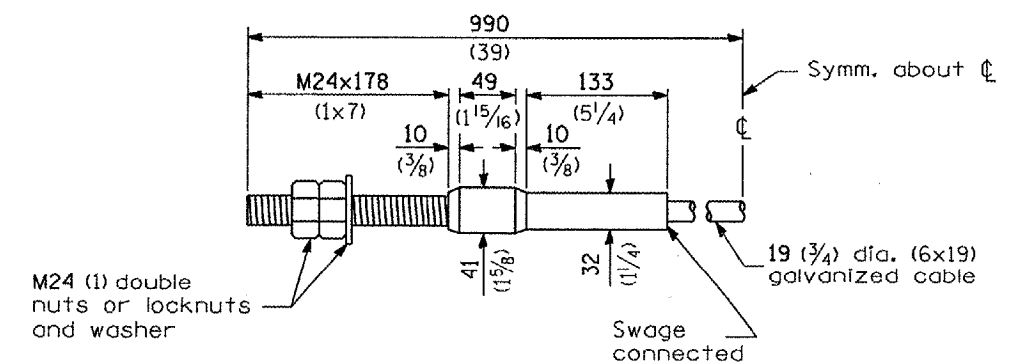


Note:
Ledge line is top of rock ledge or hard slag fill.

ELEVATION

FOOTING FOR POST WHEN IMPERVIOUS MATERIAL IS ENCOUNTERED

| V | W | L | |
|---------------------------------|---------------------|-------------|-------------|
| | | Steel Post | Wood Post |
| 0 - 460 (0 - 18) | 610 (24) | 530 (21) | 580 (23) |
| >460 - 825 (>18 - 41.5) | 305 (12) | 203 (8) | 250 (10) |
| >825 - 1.13 m (>41.5 - 53.5) | 305 - 0 (12 - 0) | 203 (8) | 250 (10) |



CABLE ASSEMBLY

(18,100 kg (40,000 lbs.) min. breaking strength)
Tighten to taut tension.

REMOVE AND REERECT STEEL PLATE BEAM GUARDRAIL

(Sheet 4 of 4)

DETAIL